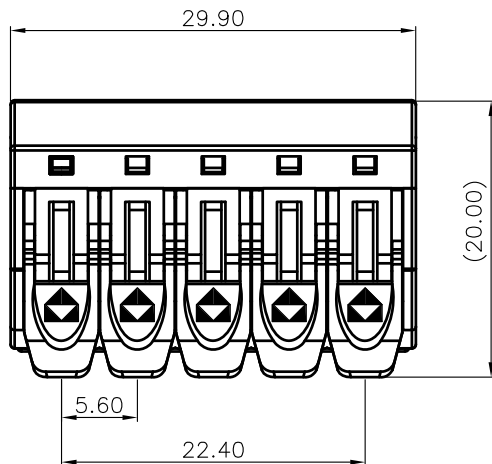
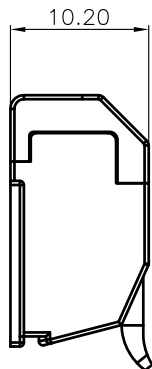


REVISION RECORD				
REV	ECN	DESCRIPTION	DRFT	DATE



NOTES1:

- UL Standard
 1.Rated voltage : 600V
 2.Wire range : 24~12AWG

IEC Standard

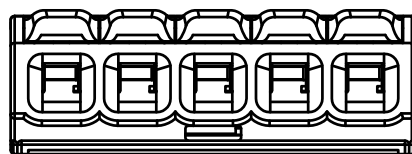
- 1.Rated voltage/current : 450V / 32A
 2.Wire range : 0.2~4.0mm²

NOTES2:

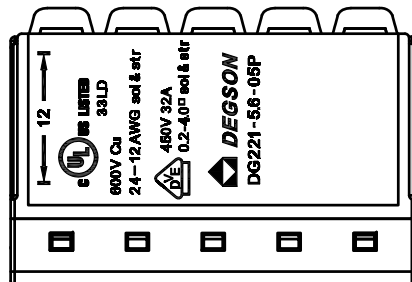
- 1.Dimension shall be interpreted per ASME Y14.5-2009
 2.Pitch : 5.6mm, Poles : 05P
 3.Stripping length : 12mm
 4.Withstanding voltage : AC2500V/1Min
 5.Operating temperature: -40°C~+85°C
 6.Undimensioned tolerances:

Pitch range in mm		Nominal dimension range in mm				-	∩	∇
To	Over	Over	Over	Over	Over	Over	Over	
6	6 TO 10	10 TO 24	30 TO 60	60 TO 100	100 TO 150	150	0.1/10	
±0.15	±0.20	±0.30	±0.30	±0.50	±0.70	±1.00	±1.30	±2'

7.RoHS Compliance



DG221 - 5.6 - 05P - 1Y - 00A (H)
 (Series No.) (Pitch) (Poles) (Single Pitch) (Color): 1.(Grey) 2.(Blue) 3.(Black) 4.(Green) 5.(Orange) 6.(Red) 7.(Transparent) 8.(Yellow) 9.(White)
 (RoHS)
 00A-(Standard)



DETACHED LISTS	PART NO.:	/			宁波高松电子有限公司 NINGBO DEGSON ELECTRICAL CO., LTD	
	APPD:	/	NAME: DG221-5.6-05P-1Y-00A(H)			
	CHKD:	/	TITLE: CUSTOMER DRAWING			
	DRFT:	/	DRAWING NO.:		REV	DO
THIRD ANGLE PROJECTION		DO NOT SCALE DRAWING		SHEET	1/1	
		MM (INCH)		SCALE	1:1	