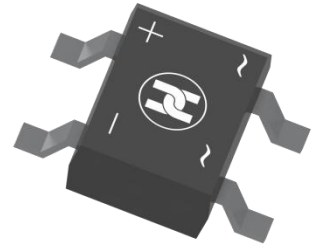
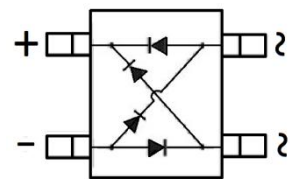


**BRIDGE RECTIFIER**
**FEATURES**

- Low Reverse voltage leakage current
- Glass Passivated Die Construction
- Low Forward Voltage Drop
- High forward surge current capability
- Small Surface Mount device


**DBS**

**MECHANICAL DATA**

- Case: DBS
- Case Material: Molded Plastic. UL flammability
- Classification Rating: 94V-0
- Weight: 0.40 grams (approximate)
- Marking: DBS104S

**MAXIMUM RATINGS (T<sub>A</sub> = 25°C unless otherwise noted)**

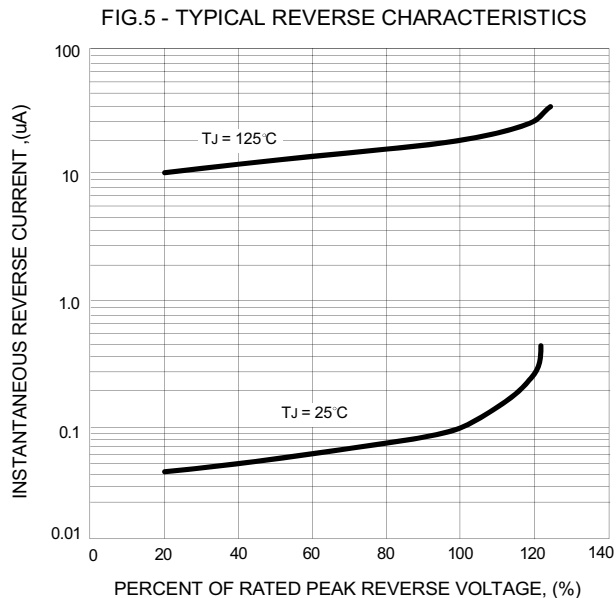
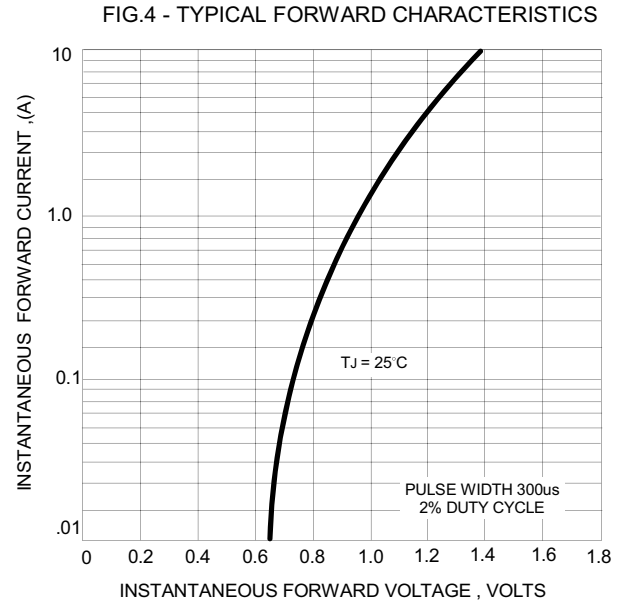
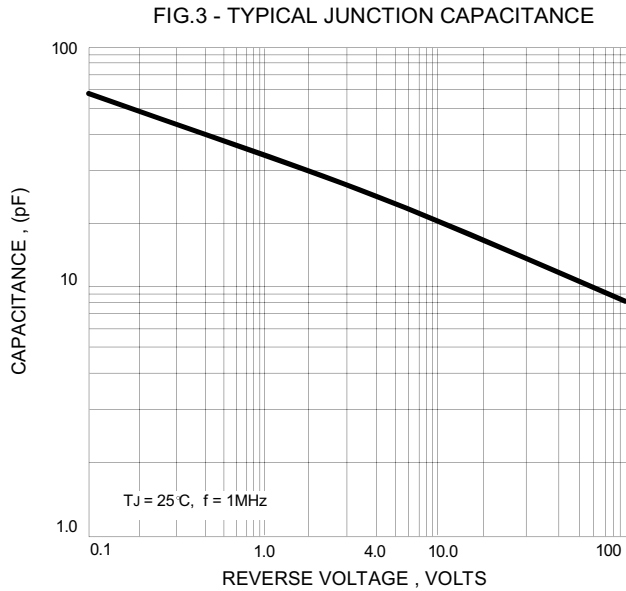
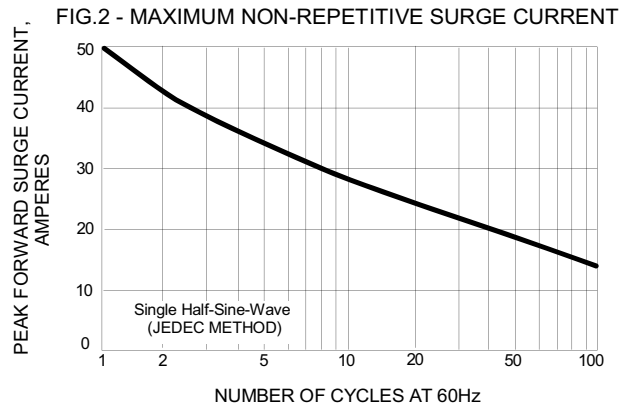
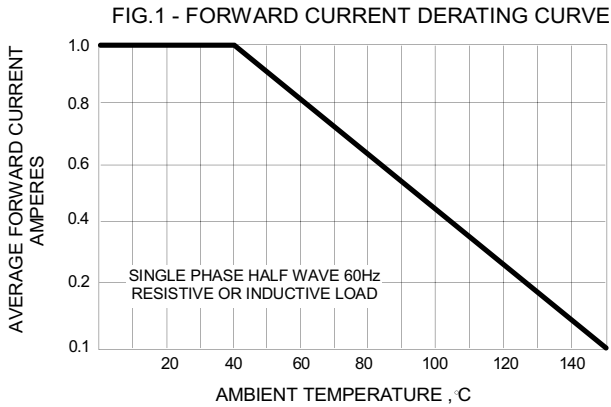
Parameter	Symbol	Value	Unit
Repetitive peak reverse voltage	V <sub>RRM</sub>	400	V
DC Reverse Voltage	V <sub>R</sub>	400	V
RMS Reverse Voltage	V <sub>RMS</sub>	280	V
Mean rectifying current	I <sub>F</sub>	1	A
Non-Repetitive Peak Forward Surge Current @ t = 8.3 ms	I <sub>FSM</sub>	50	A
Thermal Resistance From Junction To Ambient	R <sub>θJA</sub>	40	°C/W
Junction Temperature	T <sub>J</sub>	-55 ~+150	°C
Storage Temperature	T <sub>STG</sub>	-55 ~+150	°C

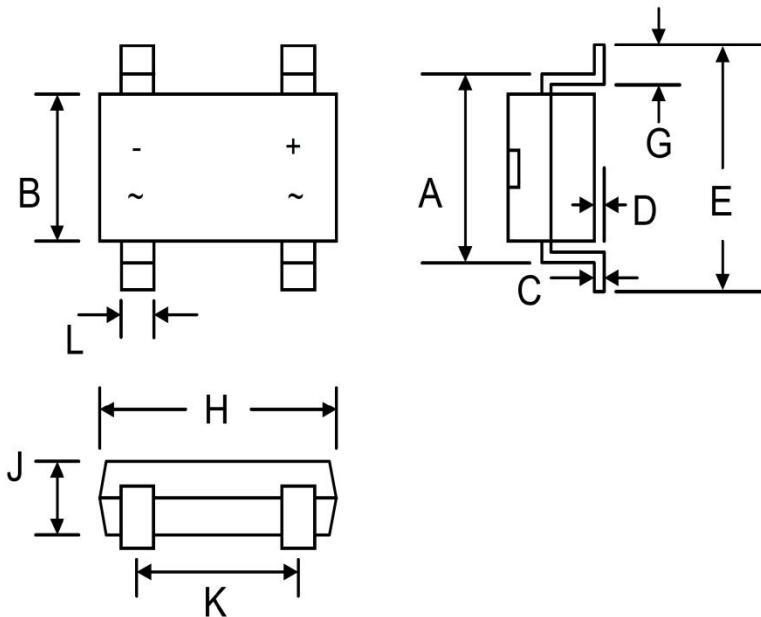
**ELECTRICAL CHARACTERISTICS (T<sub>A</sub> = 25°C unless otherwise specified)**

Parameter	Symbol	Min	Max	Unit	Conditions
Forward voltage	V <sub>F</sub>		1.1	V	I <sub>F</sub> =1A
Reverse current T=25°C	I <sub>R</sub>		10	uA	V <sub>R</sub> =400V
Reverse current T=125°C	I <sub>R</sub>		500	uA	V <sub>R</sub> =400V
Junction capacitance	C <sub>J</sub>		25	pF	V=4V <sub>DC</sub> ,f=1MH

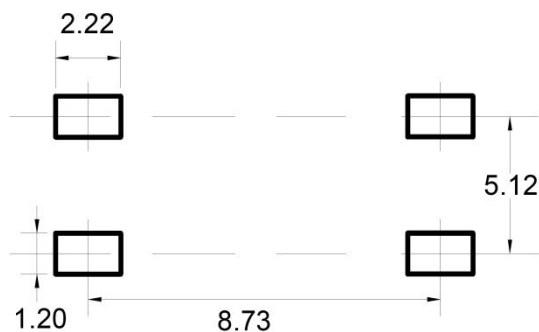
**BRIDGE RECTIFIER**

**Typical Characteristics**

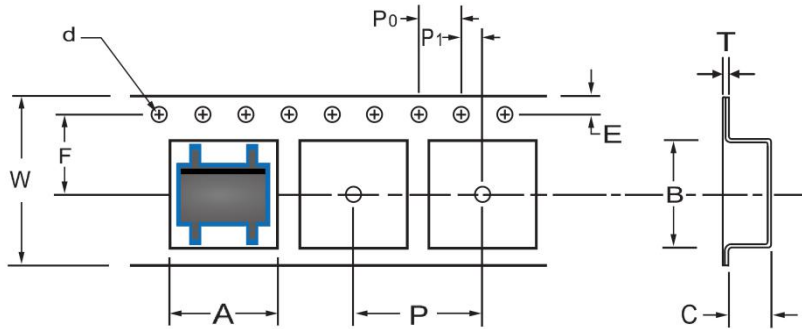


**BRIDGE RECTIFIER**
**DBS Package Outline Dimensions**


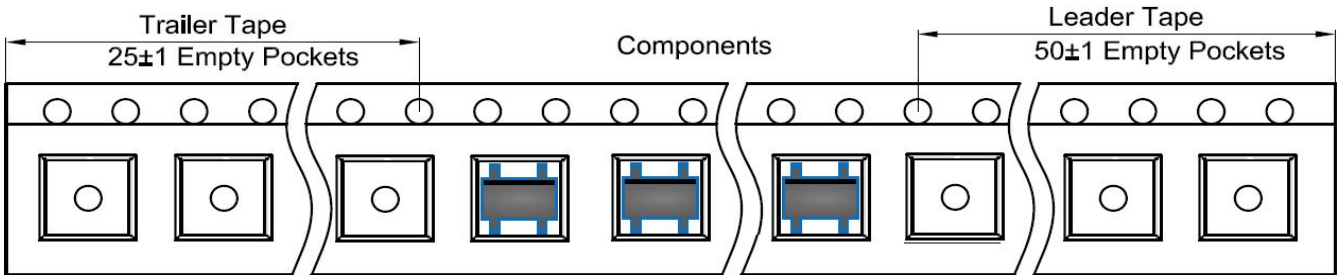
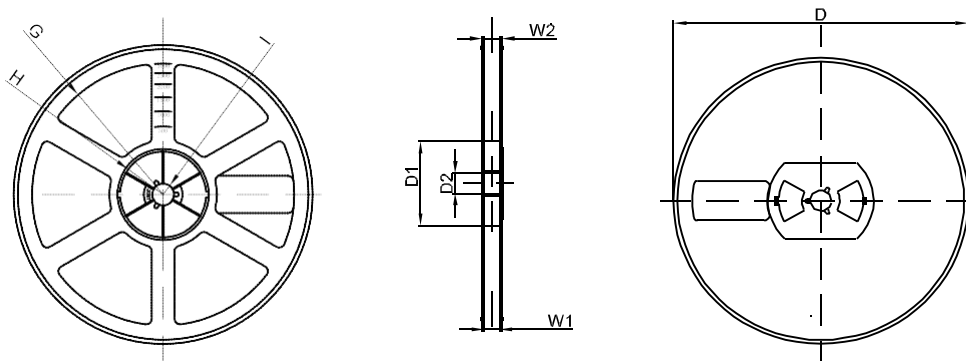
Symbol	Dimensions In Millimeters		Dimensions In Inches	
	Min.	Max.	Min.	Max.
A	7.40	7.90	0.189	0.209
B	6.20	6.50	0.165	0.181
C	0.25	-----	0.006	0.010
D	0.08	0.33	—	0.008
E	9.30	10.30	0.236	0.268
G	1.02	1.53	0.012	0.028
H	8.00	8.51	0.035	0.043
J	2.15	3.40	—	0.059
K	5.00	5.20	0.150	0.165
L	0.90	1.20	0.048	0.068

**DBS Suggested Pad Layout**

**Note:**

1. Controlling dimension: in millimeters
2. General tolerance:  $\pm 0.05\text{mm}$
3. The pad layout is for reference purposes only

**BRIDGE RECTIFIER**
**DBS Tape and Reel**
**DBS Embossed Carrier Tape**


DIMENSIONS ARE IN MILLIMETER										
TYPE	A	B	C	d	E	F	P0	P	P1	W
DBS	8.64	10.41	3.50	Ø1.50	1.75	7.50	4.00	12.00	2.00	16.00
TOLERANCE	±0.1	±0.1	±0.1	±0.1	±0.1	±0.1	±0.1	±0.1	±0.1	±0.1

**DBS Tape Leader and Trailer**

**DBS Reel**


DIMENSIONS ARE IN MILLIMETER								
REEL OPTION	D	D1	D2	G	H	I	W1	W2
13" DIA	Ø330	100	21	R165	R50	R6.50	16.4	21.00
TOLERANCE	±2	±1	±1	±1	±1	±1	±1	±1