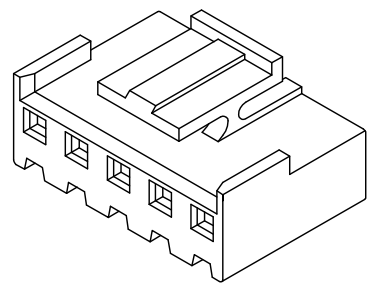
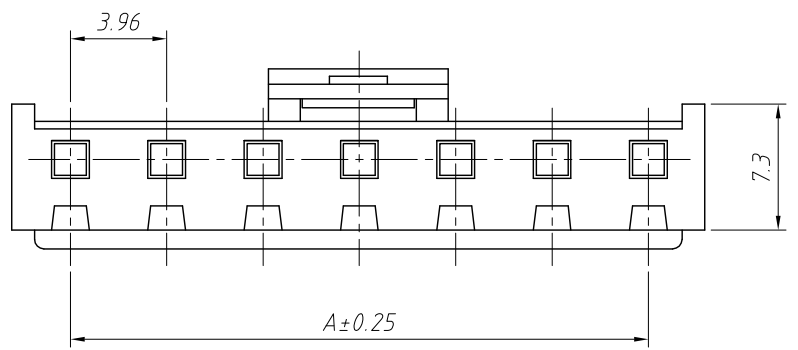
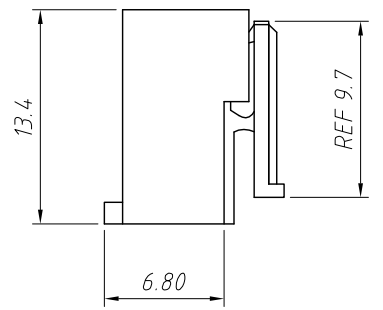
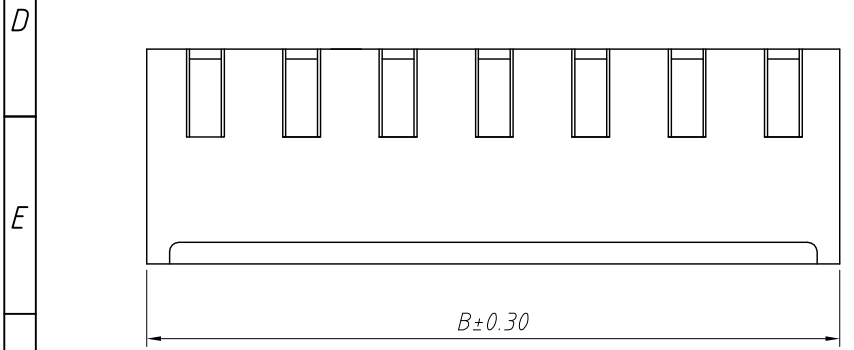


1
RoHS Compliance



Material:
Housing:PA66,UL 94V-0

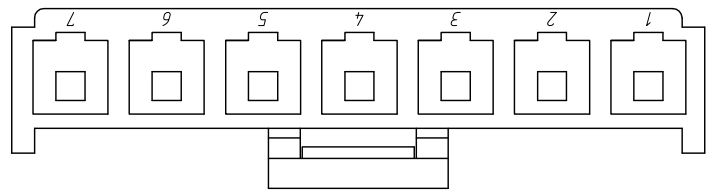
Electrical Characteristics:
Rated Current:7.0AMP
Voltage rating:250V AC,DC
Temperature range:-25°C ~ + 85°C
Insulator Resistance:1000MΩ Min
Withstanding Voltage:1500V AC/minute
Contact Resistance:20mΩ Max



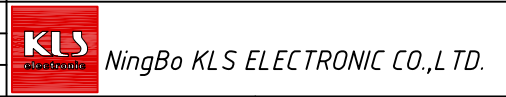
Pins	Dimensions	
	A	B
02	3.96	7.92
03	7.92	11.88
04	11.88	15.84
05	15.84	19.80
06	19.80	23.76
07	23.76	27.72
08	27.72	31.68
09	31.68	35.64
10	35.64	39.60
11	39.60	43.56
12	43.56	47.52
13	47.52	51.48
14	51.48	55.44
15	55.44	59.40
16	59.40	63.36

Order Information:
L-KLS1-3.96A-XX-H

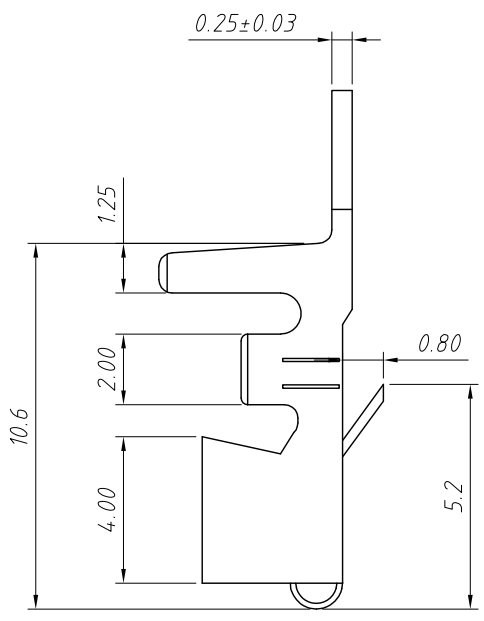
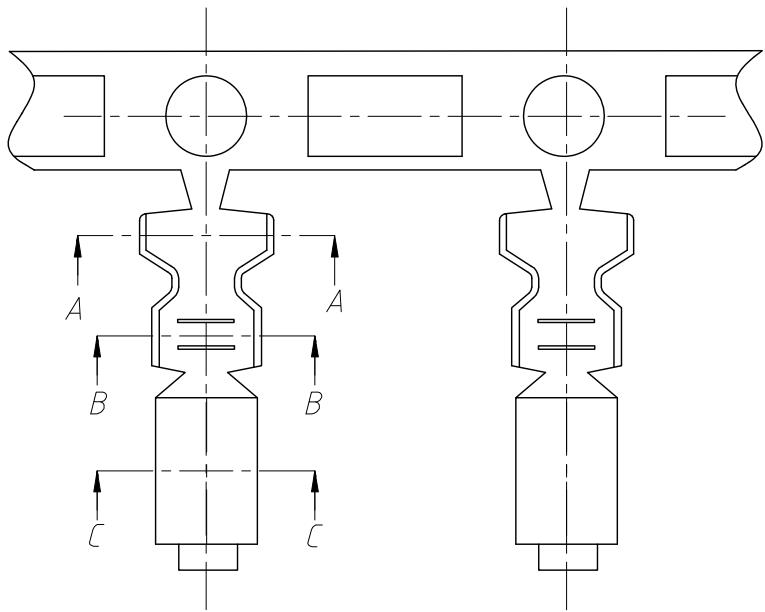
L: RoHS
Pitch:3.96mm
XX-No.of 02~16pins
Type: _____
H-Hosing T-Terminal
S-Straight male pin
R-Right angle male pin
VM-Vertical SMT Pin
RM-Horizontal SMT Pin



ANGLE TOLERANCE	PROJECTION	Description:	3.96mm JST VH Type
±3°			Wire To Board Connector
GENERAL TOLERANCE	UNITS	mm	KLS P/N:
x.x ±0.30	SHEET SIZE	A4	L-KLS1-3.96A-XX-H
x.xx ±0.20	Draw:	Daniel	2021-01-11
x.xxx ±0.10	Check:	Daniel	2021-01-11

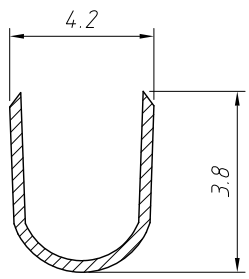


1
RoHS Compliance

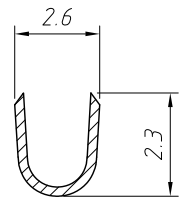


Material:
 Terminal: Brass or Phosphor Bronze
 Plating: Tin plated over Nickel
 Applicable wires: AWG #22 ~ #18
 Insulation O.D: 2.8mm
 Qty/reel: 3000 pcs

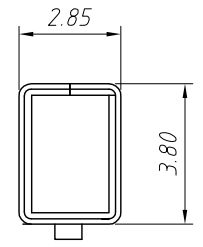
Electrical Characteristics:
 Rated Current: 7.0AMP
 Voltage rating: 250V AC, DC
 Temperature range: -25°C ~ +85°C
 Insulator Resistance: 1000MΩ Min
 Withstanding Voltage: 1500V AC/minute
 Contact Resistance: 20mΩ Max



A-A



B-B



C-C

Order Information:
 L-KLS1-3.96A-T

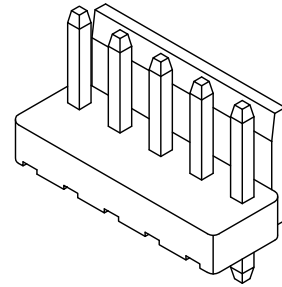
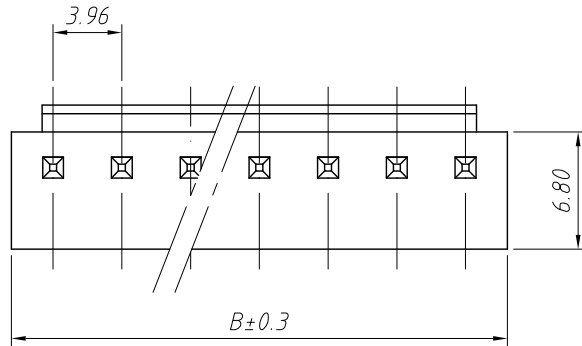
L: RoHS
 Pitch: 3.96mm
 Type:
 H-Hosing T-Terminal
 S-Straight male pin
 R-Right angle male pin
 VM-Vertical SMT Pin
 RM-Horizontal SMT Pin

ANGLE TOLERANCE	PROJECTION	Description:	3.96mm JST VH Type
±3°			Wire To Board Connector
GENERAL TOLERANCE	UNITS	mm	KLS P/N:
x.x ±0.30	SHEET SIZE	A4	L-KLS1-3.96A-T
x.xx ±0.20	Draw:	Daniel	2021-01-11
x.xxx ±0.10	Check:	Daniel	2021-01-11



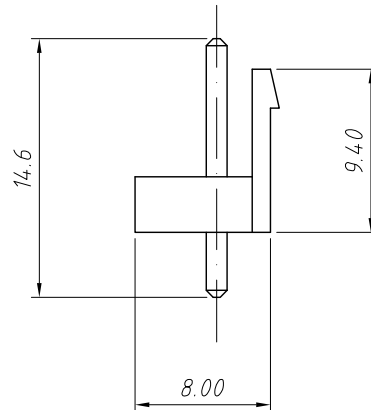
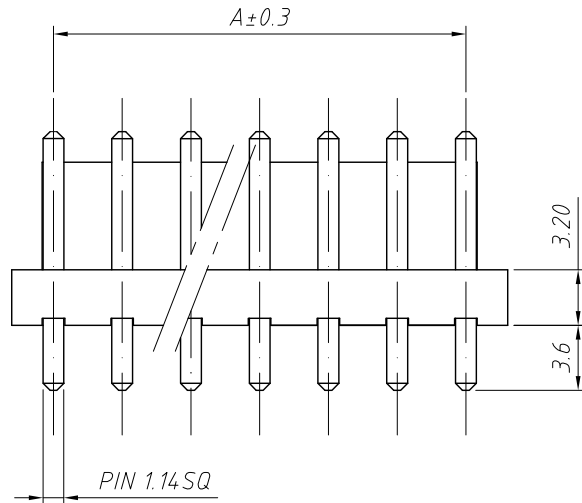
NingBo KLS ELECTRONIC CO.,L TD.

RoHS Compliance



Material:
 Housing: PA66, UL 94 V-0
 Contact: Brass
 Plating: Tin plated over Nickel

Electrical Characteristics:
 Rated Current: 7.0AMP
 Voltage rating: 250V AC, DC
 Temperature range: -25°C ~ + 85°C
 Insulator Resistance: 1000MΩ Min
 Withstanding Voltage: 1500V AC/minute
 Contact Resistance: 20mΩ Max



Pins	Dimensions	
	A	B
02	3.96	7.92
03	7.92	11.88
04	11.88	15.84
05	15.84	19.80
06	19.80	23.76
07	23.76	27.72
08	27.72	31.68
09	31.68	35.64
10	35.64	39.60
11	39.60	43.56
12	43.56	47.52
13	47.52	51.48
14	51.48	55.44
15	55.44	59.40
16	59.40	63.36

Order Information:

L-KLS1-3.96A-XX-S

L: RoHS

Pitch: 3.96mm

XX-No. of 02 ~ 16 pins

Type:

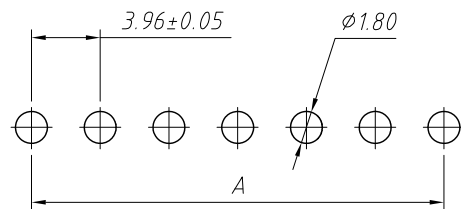
H-Hosing T-Terminal

S-Straight male pin

R-Right angle male pin

VM-Vertical SMT Pin

RM-Horizontal SMT Pin



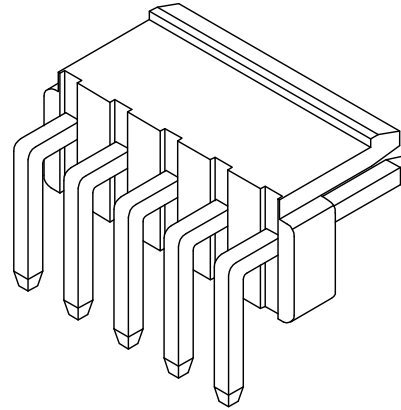
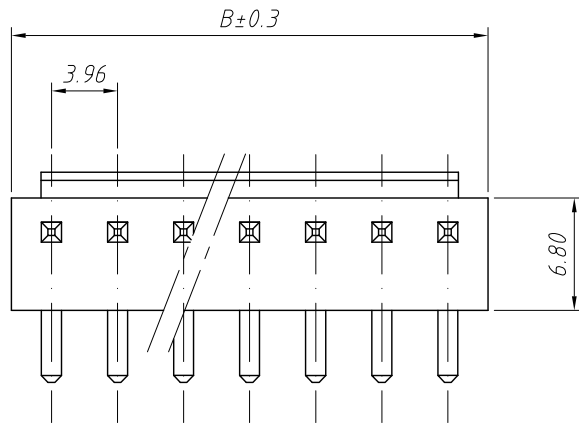
Recommended PCB Layout

ANGLE TOLERANCE	PROJECTION	Description:	3.96mm JST VH Type
±3°			Wire To Board Connector
GENERAL TOLERANCE	UNITS	mm	KLS P/N:
x.x ±0.30	SHEET SIZE	A4	L-KLS1-3.96A-XX-S
x.xx ±0.20	Draw:	Daniel	2021-01-11
x.xxx ±0.10	Check:	Daniel	2021-01-11



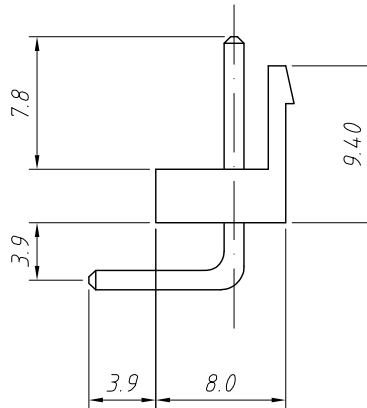
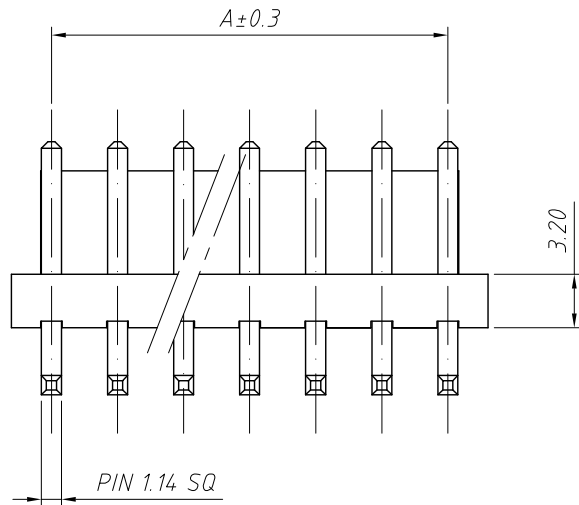
NingBo KLS ELECTRONIC CO.,L TD.

RoHS Compliance



Material:
 Housing: PA66, UL 94 V-0
 Contact: Brass
 Plating: Tin plated over Nickel

Electrical Characteristics:
 Rated Current: 7.0AMP
 Voltage rating: 250V AC, DC
 Temperature range: -25°C ~ +85°C
 Insulator Resistance: 1000MΩ Min
 Withstanding Voltage: 1500V AC/minute
 Contact Resistance: 20mΩ Max



Pins	Dimensions	
	A	B
02	3.96	7.92
03	7.92	11.88
04	11.88	15.84
05	15.84	19.80
06	19.80	23.76
07	23.76	27.72
08	27.72	31.68
09	31.68	35.64
10	35.64	39.60
11	39.60	43.56
12	43.56	47.52
13	47.52	51.48
14	51.48	55.44
15	55.44	59.40
16	59.40	63.36

Order Information:

L-KLS1-3.96A-XX-R

L: RoHS

Pitch: 3.96mm

XX-No. of 02 ~ 16 pins

Type:

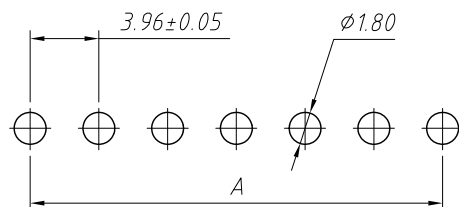
H-Hosing T-Terminal

S-Straight male pin

R-Right angle male pin

VM-Vertical SMT Pin

RM-Horizontal SMT Pin



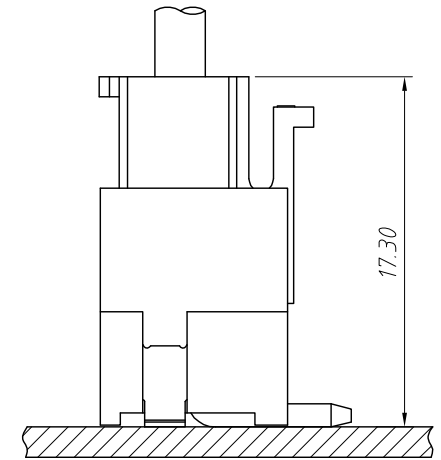
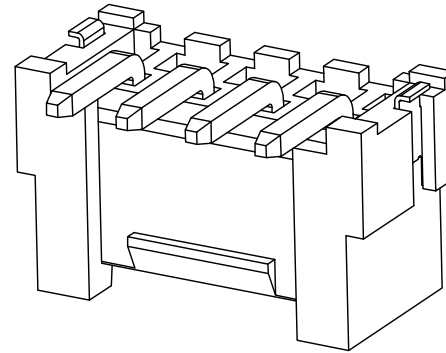
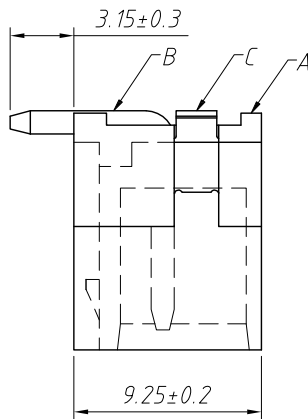
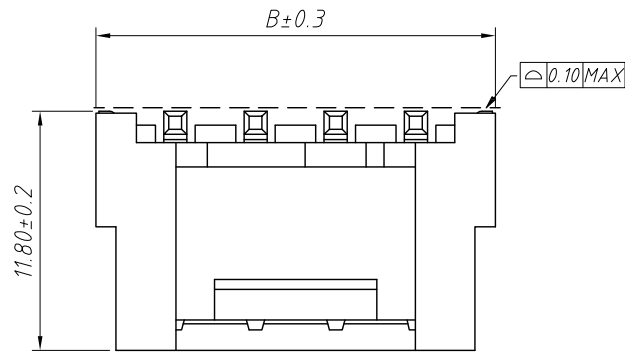
Recommended PCB Layout

ANGLE TOLERANCE	PROJECTION	Description:
±3°		3.96mm JST VH Type Wire To Board Connector
GENERAL TOLERANCE	UNITS	mm
x.x ±0.30	SHEET SIZE	A4
x.xx ±0.20	Draw:	Daniel 2021-01-11
x.xxx ±0.10	Check:	Daniel 2021-01-11

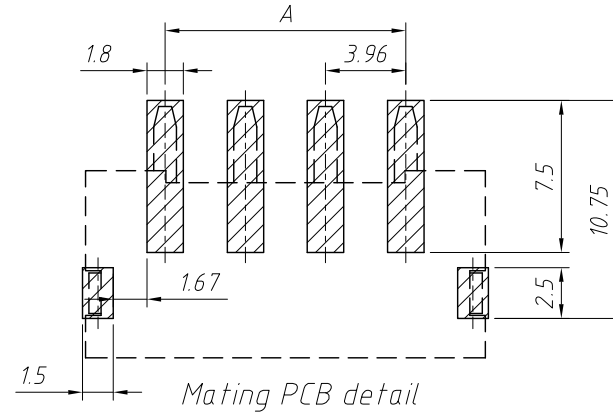
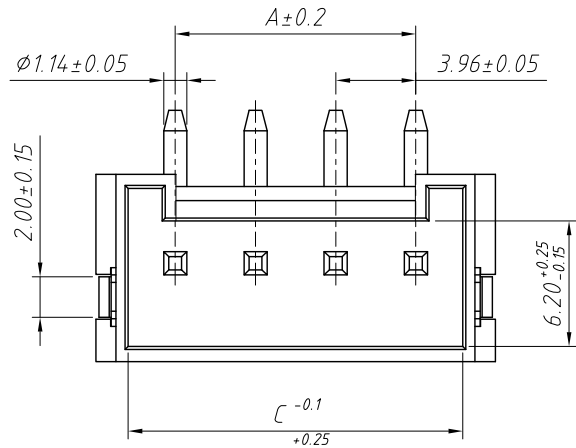


NingBo KLS ELECTRONIC CO.,LTD.

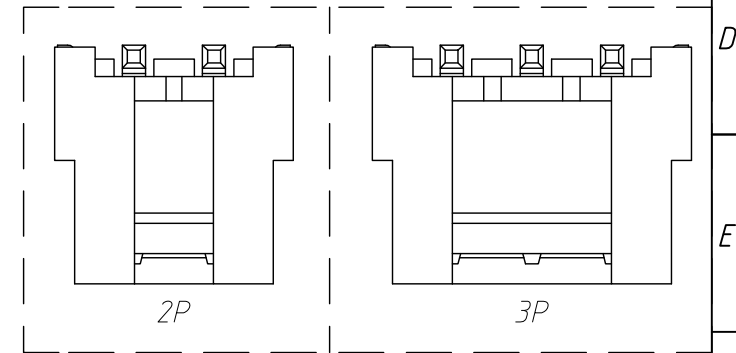
RoHS Compliance



Assembly Layout

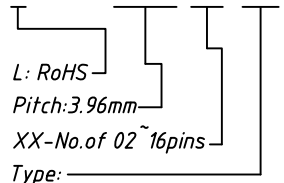


Mating PCB detail



Order Information:

L-KLS1-3.96A-XX-VM



- H-Hosing T-Terminal
- S-Straight male pin
- R-Right angle male pin
- VM-Vertical SMT Pin
- RM-Horizontal SMT Pin

Material:

- Insulator: PA6T UL94V-0, Beige
- Contacts: Brass, Tin Plated
- Solder Tab: Brass, Tin Plated

Electrical Specification:

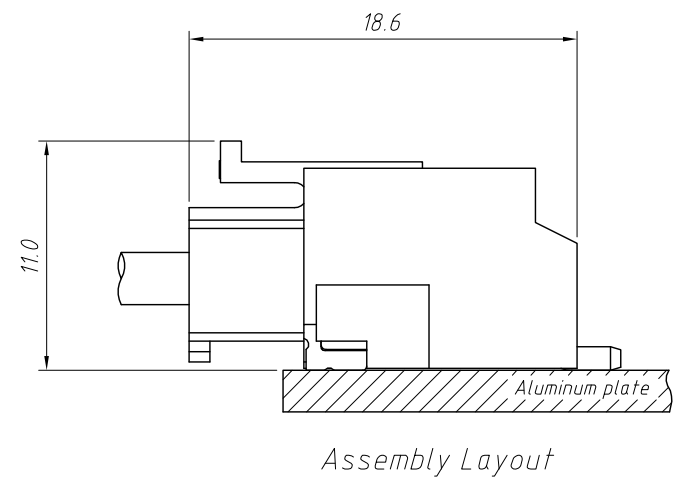
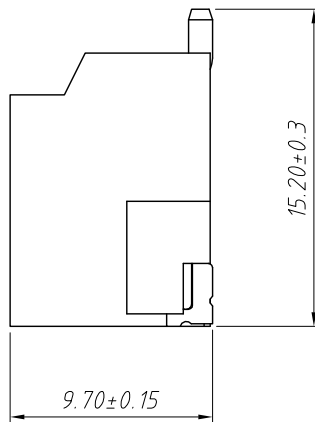
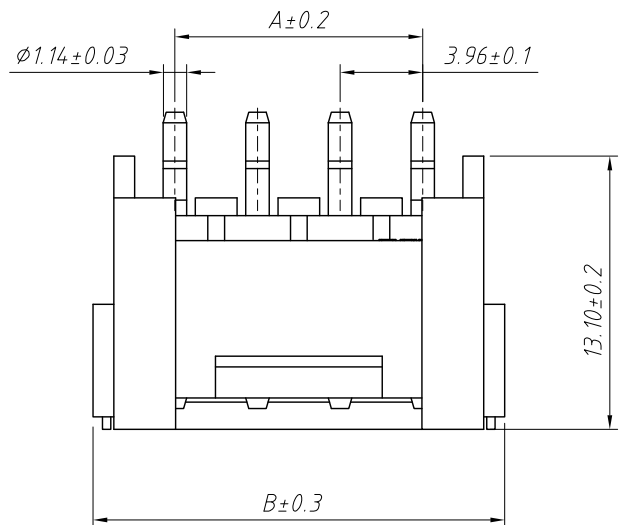
- Poles: 02 to 16
- Contact resistance: $\leq 20m\Omega$
- Insulation resistance: $\geq 1000M\Omega$
- Rated voltage: 250V AC DC
- Rated current: 7.0A AC DC
- Withstand Voltage: 1500V AC/minute
- Temperature Range: $-25^{\circ}C \sim +105^{\circ}C$

Circuit	Dimensions(mm)			Circuit	Dimensions(mm)		
	A	B	C		A	B	C
02	3.96	11.80	8.60	10	35.64	43.48	40.28
03	7.92	15.76	12.56	11	39.60	47.44	44.24
04	11.88	19.72	16.52	12	43.56	51.40	48.20
05	15.84	23.68	20.48	13	47.52	55.36	52.16
06	19.80	27.64	24.44	14	51.48	59.32	56.12
07	23.76	31.60	28.40	15	55.44	63.28	60.08
08	27.72	35.56	32.36	16	59.40	67.24	64.04
09	31.68	39.52	36.32				

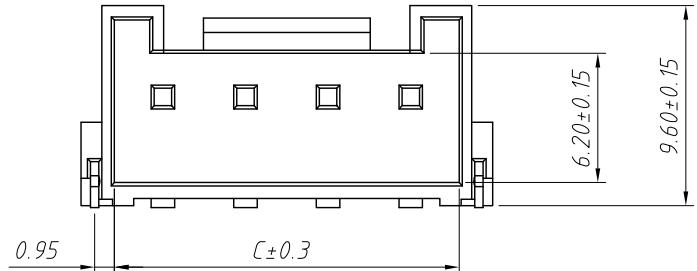
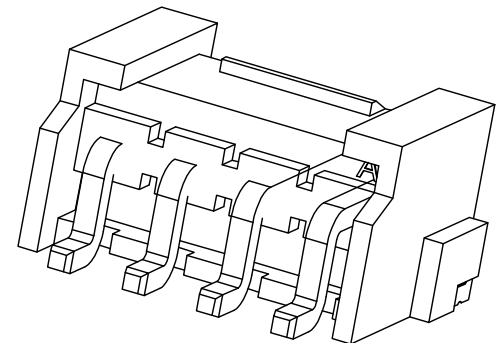
ANGLE TOLERANCE	PROJECTION	Description:	3.96mm JST VH Type
$\pm 3^{\circ}$			Wire To Board Connector
GENERAL TOLERANCE	UNITS	mm	KLS P/N:
x.x ± 0.30	SHEET SIZE	A4	L-KLS1-3.96A-XX-VM
x.xx ± 0.20	Draw:	Daniel	2021-01-11
x.xxx ± 0.10	Check:	Daniel	2021-01-11



NingBo KLS ELECTRONIC CO.,L TD.



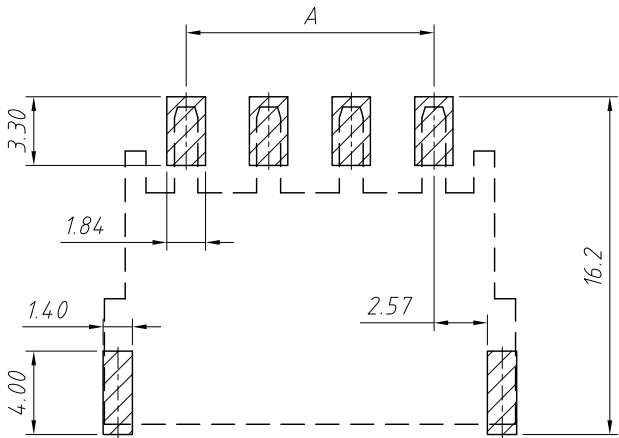
Assembly Layout



Material:
 Insulator: PA6T UL94V-0, Beige
 Contacts: Brass, Tin Plated
 Solder Tab: Brass, Tin Plated

Electrical Specification:
 Poles: 02 to 16
 Contact resistance: $\leq 20m\Omega$
 Insulation resistance: $\geq 1000M\Omega$
 Rated voltage: 250V AC DC
 Rated current: 7.0A AC DC
 Withstand Voltage: 1500V AC/minute
 Temperature Range: $-25^{\circ}C \sim +105^{\circ}C$

Circuit	Dimensions(mm)			Circuit	Dimensions(mm)		
	A	B	C		A	B	C
02	3.96	11.80	8.60	10	35.64	43.48	40.28
03	7.92	15.76	12.56	11	39.60	47.44	44.24
04	11.88	19.72	16.52	12	43.56	51.40	48.20
05	15.84	23.68	20.48	13	47.52	55.36	52.16
06	19.80	27.64	24.44	14	51.48	59.32	56.12
07	23.76	31.60	28.40	15	55.44	63.28	60.08
08	27.72	35.56	32.36	16	59.40	67.24	64.04
09	31.68	39.52	36.32				



Mating PCB detail

GENERAL TOLERANCE	PROJECTION		Description:
X. ± 0.30	UNITS	mm	Ptich 3.96mm Horizontal SMT Wafer
.X ± 0.20	SCALE	1:1	
.XX ± 0.10	Draw by:	Jenny	
ANGLE TOLERANCE	Check by:		KLS P/N: L-KLS1-3.96A-XX-RM
X. $\pm 5^{\circ}$	Date	2018-03-01	NingBo KLS ELECTRONIC CO.,L TD.
.X $\pm 3^{\circ}$	SHEET	1 OF 1	
.XX $\pm 2^{\circ}$			