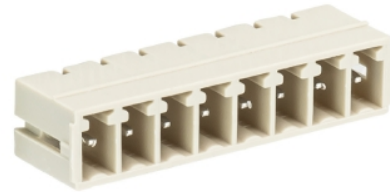


Data sheet

Commercial Art.No.: 25.627.0453.0

PCB pin header 8813 S / 4 W OB

PCB pin header with pin header, connection method depends on used socket part , 4 poles, pitch: 3.81 mm, type of packing: carton, color: grey



| | |
|--------------------|---------------|
| Commercial Art.No. | 25.627.0453.0 |
| EAN | 4015573341661 |
| Order Unit | 50 |

Certificates / Approvals



Technical data

General

| | |
|------------------------------------------|----------------|
| Modular spacing | 3.81 mm |
| Soldering process | Wave soldering |
| Packaging | Carton |
| Number of poles | 4 |
| Number of levels | 1 |
| Marking | No |
| Fastening | None |
| Mating direction towards (circuit) board | 180° |

Technical data

| | |
|--------------------------|--------|
| Rated current | 8 A |
| Overvoltage Category I | 690 V |
| Overvoltage Category II | 250 V |
| Overvoltage Category III | 125 |
| Rated impulse voltage | 2.5 kV |

Technical Data UL/CSA

| | |
|------------------------|-------|
| Voltage UL | 300 V |
| Current field wiring | 8 A |
| Current factory wiring | 8 A |
| Voltage CSA | 300 V |
| Current CSA | 5 A |

Other

| | |
|-----------------------------|---------------|
| Type of insulation material | Thermoplastic |
| Color | Grey |
| Height | 7.15 mm |

| | |
|--------------------------|----------|
| Length | 25.63 mm |
| Depth | 9.2 mm |
| Material contact base | CuZn |
| Material contact surface | Sn |

Classification

| | |
|------------|----------|
| ECLASS 11 | |
| ECLASS 8.1 | 27440402 |
| ETIM 7.0 | EC002637 |
| ETIM 6.0 | EC002637 |
| ETIM 5.0 | EC002637 |
| ETIM 4.0 | EC002637 |

Product compliance

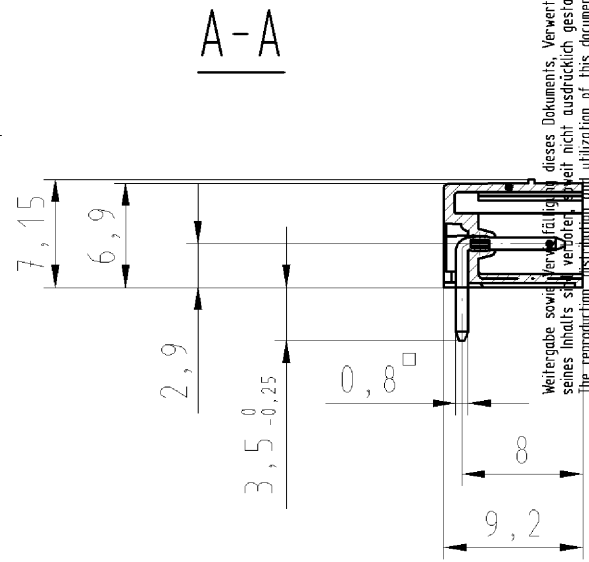
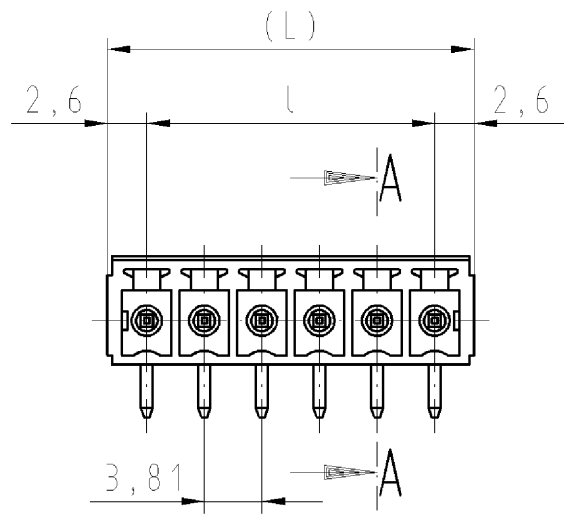
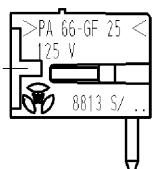
| | |
|------------------------------|-----------|
| ROHS conformity status | Compliant |
| REACH-SVHC conformity status | Compliant |

Fits with

| Commercial Art.No.: | Article-type description: | Description: |
|---------------------|--------------------------------|----------------------------------------------------------------------------------------------------------------------------------------------------------------------------------------------------|
| 25.620.3453.0 | PCB connector 8813 B / 4 OB | PCB female connector with screw connection with rising cage clamp system, 4 poles, max. cross section: 1.5 mm ² , pitch: 3.81 mm, type of packing: carton, color: grey |
| 25.620.0453.0 | PCB connector 8813 B / 4 | PCB female connector with screw connection with rising cage clamp system, 4 poles, printed version, max. cross section: 1.5 mm ² , pitch: 3.81 mm, type of packing: carton, color: grey |
| 25.622.3453.0 | PCB connector 8813 B / 4 VR OB | PCB female connector with screw connection with rising cage clamp system, 4 poles, max. cross section: 1.5 mm ² , pitch: 3.81 mm, type of packing: carton, color: grey |
| 25.622.0453.0 | PCB connector 8813 B / 4 VR | PCB female connector with screw connection with rising cage clamp system, 4 poles, printed version, max. cross section: 1.5 mm ² , pitch: 3.81 mm, type of packing: carton, color: grey |
| 25.624.3453.0 | PCB connector 8813 B / 4 VL OB | PCB female connector with screw connection with rising cage clamp system, 4 poles, max. cross section: 1.5 mm ² , pitch: 3.81 mm, type of packing: carton, color: grey |
| 25.624.0453.0 | PCB connector 8813 B / 4 VL | PCB female connector with screw connection with rising cage clamp system, 4 poles, printed version, max. cross section: 1.5 mm ² , pitch: 3.81 mm, type of packing: carton, color: grey |

6-polige Ausführung gezeichnet 6 pole version drawn

These dimensions will be especially checked at delivery
Only inspection dimensions
With /E marked dimensions are only valid for internal use



Weitergabe sowie Verfertigung dieses Dokuments, Verwertung und Mitteilung seines Inhalts sind verboten, soweit die Reproduktions- und Verwertungsrechte vorbehalten sind. The reproduction, distribution and utilization of this document as well as the communication of its contents to others without express authorization is prohibited.

Diese Maße werden bei Abnahme besonders geprüft
Ausschließlich Prüfmaße
Mit /E gekennzeichnete Maße sind nur für interne Zwecke gültig

Weitere Daten siehe Katalog
further data see catalog

| | |
|----|---------------|
| .F | Farbe/colour |
| .0 | grau/grey |
| .1 | schwarz/black |
| .7 | grün/green |

| Teile-Nr. part number | Pol- zahl | (L) | l | Typ type |
|--------------------------|--------------|-------|-------|-------------|
| 25.627.0253.F | 2 | 9.01 | 3.81 | 8813 S/ 2 W |
| 25.627.0353.F | 3 | 12.82 | 7.62 | 8813 S/ 3 W |
| 25.627.0453.F | 4 | 16.63 | 11.43 | 8813 S/ 4 W |
| 25.627.0553.F | 5 | 20.44 | 15.24 | 8813 S/ 5 W |
| 25.627.0653.F | 6 | 24.25 | 19.05 | 8813 S/ 6 W |
| 25.627.0753.F | 7 | 28.06 | 22.86 | 8813 S/ 7 W |
| 25.627.0853.F | 8 | 31.87 | 26.67 | 8813 S/ 8 W |
| 25.627.0953.F | 9 | 35.68 | 30.48 | 8813 S/ 9 W |
| 25.627.1053.F | 10 | 39.49 | 34.29 | 8813 S/10 W |
| 25.627.1153.F | 11 | 43.30 | 38.10 | 8813 S/11 W |
| 25.627.1253.F | 12 | 47.11 | 41.91 | 8813 S/12 W |
| 25.627.1353.F | 13 | 50.92 | 45.72 | 8813 S/13 W |
| 25.627.1453.F | 14 | 54.73 | 49.53 | 8813 S/14 W |
| 25.627.1553.F | 15 | 58.54 | 53.34 | 8813 S/15 W |
| 25.627.1653.F | 16 | 62.35 | 57.15 | 8813 S/16 W |
| 25.627.1753.F | 17 | 66.16 | 60.96 | 8813 S/17 W |
| 25.627.1853.F | 18 | 69.97 | 64.77 | 8813 S/18 W |
| 25.627.1953.F | 19 | 73.78 | 68.58 | 8813 S/19 W |
| 25.627.2053.F | 20 | 77.59 | 72.39 | 8813 S/20 W |

Tolerierung nach DIN 7167/Tolerance system acc. to DIN 7167.
(This DIN-standard describes the envelope principle. According to the envelope principle the deviations of form and parallelism are limited by the size tolerances).

ja/yes Stoffverbots- und Deklarationsliste nach UU-TQM-05/03 ist einzuhalten.
Conformity with Wieland document UU-TQM-05/03 (list of prohibited / declarable hazardous substances) to be declared!

Freitoleranz nach
General tolerance

CAD - Zeichnung, keine manuellen Änderungen
CAD - drawing, no manual modifications allowed

1.Verwendung:
First Use:

Blatt: 1 von 1
Sheet: 1 of 1

| | | | | | | | |
|-------------------------------------------------|-------------------------------|-------------------------------|------------------------------------------------------------|------------|---------------------------|-------------------|-------|
| Werkstoff/Material | | 2008 | Tag/Date | Name | Zeichnung Nr./Drawing No. | | Index |
| Maßstab/Scale 2:1 | | gezeichnet drawn | 11.03. | Schmitt J. | T | 25.627.0253.0 01K | |
| | | geprüft checked | - | - | | | |
| | | Normgepr. Stand. check | - | - | | | |
| Vol. mm ³ Of1./Surf. mm ² | | Ersatz für/Replacement for: - | | | | | |
| wieland | | Type | Benennung/Title | | | | |
| Elektrische Verbindungen | | 8813 S/ 2-20 W | LP_STIFTLISTE Rastermaß/pitch: 3,81mm PCB PIN HEADER | | | | |
| Index | Datum / Blatt Date / Sheet | | | | | | |
| Änderung/Revision | | | | | | | |

256270253001K_4_CADW1042_Schmitt 2008-03-11T14:07:58 1.000