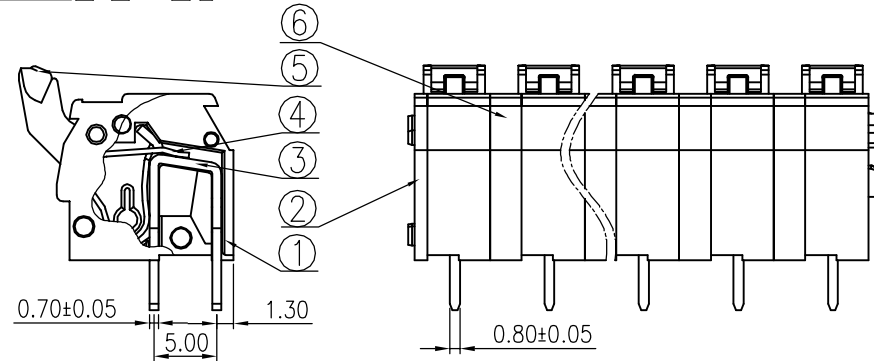
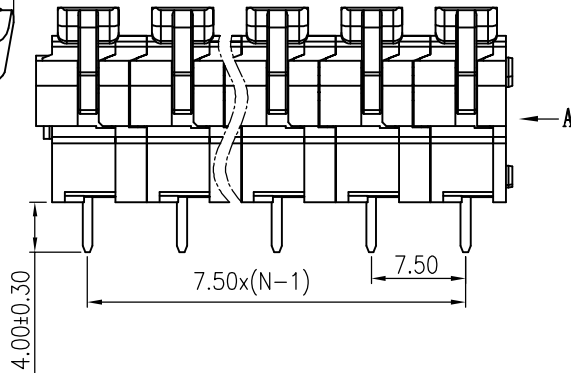
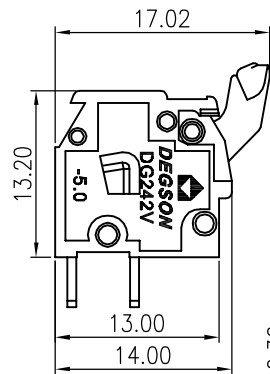
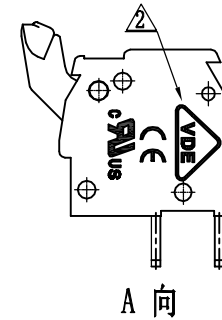
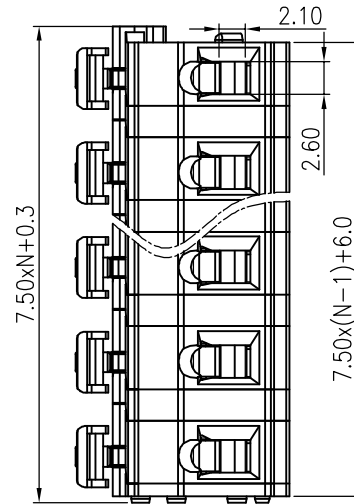
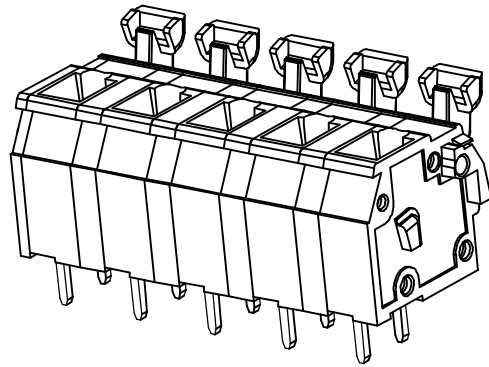


REVISION RECORD					
REV	ECO	DESCRIPTION	DRFT	DATE	
△		修改参数	LJH	12/16/08	
△	B9-0121	增加VDE刻字及参数	GHY	11/23/09	



Notes:

1. Pitch: 7.5mm, Poles: XXP
2. Rated voltage/current: UL 300V/15A
VDE 750V/17A △
3. Operation temperatures: -40°C ~ +105°C
4. Withstanding Voltage: AC3000V/1Min
5. Insulation Resistance: 5000MΩ/DC1000V
6. Wire Range: 28~12AWG, 0.2~2.5mm²
7. Undimensioned Tolerances:

Pitch range in mm		Nominal dimension range in mm						
to	over	to	to	to	to	to	to	
6	10	10	30	60	100	150		⌒
to	to	to	to	to	to	to	to	▱
±0.10	±0.15	±0.25	±0.2	±0.3	±0.5	±0.7	±1.0	0.05/10

6	DG242V-7.5-Calpboard	3024H0Y01A (H)	XX-1	PA66	UL94V-0
5	DG242V-Button	3024D1701A (H)	XX	POM	UL94HB
4	DG242V-Shrapnel	X000000990 (H)	XX	Stainless steel	
3	DG242V-Pin header	3024B00010 (H)	XX	Phosphor bronze	SnCe Plated
2	DG242V-Cover	3024C0Y01A (H)	1	PA66	UL94V-0
1	DG242V-5.0-Housing	3024A0Y01A (H)	XX	PA66	UL94V-0
ITEM	NAME OF PART	NO. OF PART	Q'TY	MATERIAL	NOTES

DFTO LYK CHKD DATE MFO DATE APPVL DATE		DATE 01/05/07" DATE DATE		宁波高正电子有限公司 DEGSON ELECTRONICS CO., LTD	
TOLERANCES EXCEPT AS NOTED MM .0 ± .00 ± .000 ±		MATERIAL : G.E : FINISH : SCALE : 1:1		NAME DG242V-7.5-XXP-1Y-00A(H) DRAWING NO. DG242V-7.5-E01 /PART NO. SIZE A3 REV T2 11/23/08	
ANGLES ± 1' THIRD ANGLE PROJECTION		DO NOT SCALE DRAWING		SHEET 1 OF 1	