



PWM LOW-SIDE DRIVER (1.5A and 3A) for Solenoids, Coils, Valves, Heaters, and Lamps

FEATURES

- **HIGH OUTPUT DRIVE: 1.5A and 3A Versions**
- **WIDE SUPPLY RANGE: +8V to +32V**
- **COMPLETE FUNCTION**
Digitally Controlled Input
PWM Output
Adjustable Internal Oscillator: 500Hz to 100kHz
Adjustable Delay and Duty Cycle
- **FULLY PROTECTED**
Thermal and Current Limit Shutdown with
Status OK Indicator Flag
- **PACKAGES: SO-8 and PowerPAD™ SO-8**

APPLICATIONS

- **ELECTROMECHANICAL DRIVER:**
Solenoids, Valves, Positioners, Actuators,
Relays, Power Contactor Coils, Heaters, Lamps
- **HYDRAULIC AND PNEUMATICS SYSTEMS**
- **PART HANDLERS AND SORTERS**
- **CHEMICAL PROCESSING**
- **ENVIRONMENTAL MONITORING AND HVAC**
- **THERMOELECTRIC COOLERS**
- **DC MOTOR SPEED CONTROLS**
- **MEDICAL AND SCIENTIFIC ANALYZERS**
- **FUEL INJECTOR DRIVERS**

PowerPAD is a trademark of Texas Instruments.

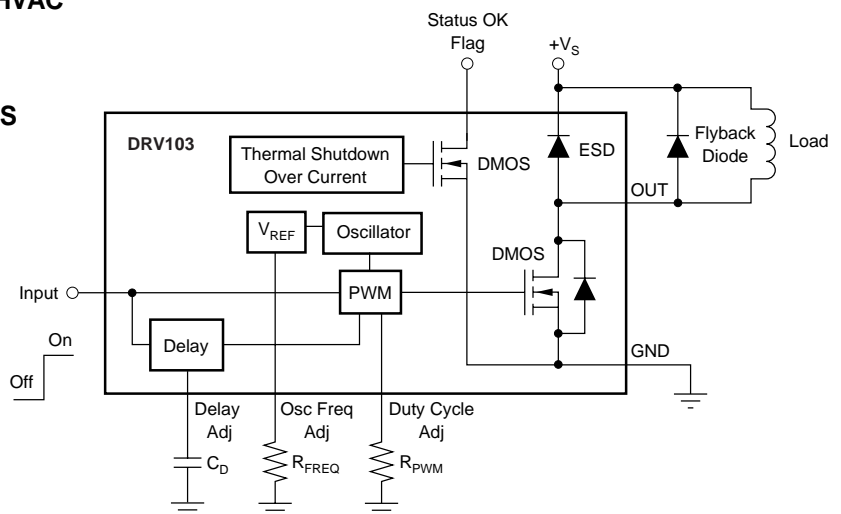
DESCRIPTION

The DRV103 is a low-side DMOS power switch employing a pulse-width modulated (PWM) output. Its rugged design is optimized for driving electromechanical devices such as valves, solenoids, relays, actuators, motors, and positioners. The DRV103 is also ideal for driving thermal devices such as heaters, coolers, and lamps. PWM operation conserves power and reduces heat rise, resulting in higher reliability. In addition, adjustable PWM allows fine control of the power delivered to the load. DC-to-PWM output delay time and oscillator frequency are also externally adjustable.

The DRV103 can be set to provide a strong initial closure, automatically switching to a “soft” hold mode for power savings. A resistor, analog voltage, or Digital-to-Analog (D/A) converter can control the duty cycle. An output OK flag indicates when thermal shutdown or over current occurs.

Two packages provide a choice of output current: 1.5A (SO-8) or 3A (PowerPAD™ SO-8 with exposed metal heat sink).

The DRV103 is specified for -40°C to $+85^{\circ}\text{C}$.



Please be aware that an important notice concerning availability, standard warranty, and use in critical applications of Texas Instruments semiconductor products and disclaimers thereto appears at the end of this data sheet.

PACKAGE/ORDERING INFORMATION

PRODUCT	PACKAGE	PACKAGE DRAWING NUMBER	SPECIFIED TEMPERATURE RANGE	PACKAGE MARKING	ORDERING NUMBER ⁽¹⁾	TRANSPORT MEDIA
DRV103U "	SO-8 "	182 "	-40°C to +85°C "	DRV103U "	DRV103U DRV103U/2K5	Rails Tape and Reel
DRV103H "	PowerPAD™ SO-8 "	DDA "	-40°C to +85°C "	DRV103H "	DRV103H DRV103H/2K5	Rails Tape and Reel

NOTES: (1) Models with a slash (/) are available only in Tape and Reel in the quantities indicated (e.g., /2K5 indicates 2500 devices per reel). Ordering 2500 pieces of "DRV103U/2K5" will get a single 2500-piece Tape and Reel.

ABSOLUTE MAXIMUM RATINGS⁽¹⁾

Supply Voltage, V_S ⁽²⁾	+40V
Input Voltage	-0.2V to +5.5V ⁽³⁾
PWM Adjust Input	-0.2V to +5.5V ⁽³⁾
Delay Adjust Input	-0.2V to +5.5V ⁽³⁾
Frequency Adjust Input	-0.2V to +5.5V ⁽³⁾
Status OK Flag and OUT	-0.2V to V_S ⁽⁴⁾
Operating Temperature Range	-55°C to +125°C
Storage Temperature Range	-65°C to +150°C
Junction Temperature	+150°C
Lead Temperature (soldering, 10s)	+300°C

NOTES: (1) Stresses above these ratings may cause permanent damage. Exposure to absolute maximum conditions for extended periods may degrade device reliability. (2) See Bypassing section for discussion about operating near maximum supply voltage. (3) Higher voltage may be applied if current is limited to 2mA. (4) The Status OK Flag will internally current limit at about 10mA.



ELECTROSTATIC DISCHARGE SENSITIVITY

This integrated circuit can be damaged by ESD. Texas Instruments recommends that all integrated circuits be handled with appropriate precautions. Failure to observe proper handling and installation procedures can cause damage.

ESD damage can range from subtle performance degradation to complete device failure. Precision integrated circuits may be more susceptible to damage because very small parametric changes could cause the device not to meet its published specifications.

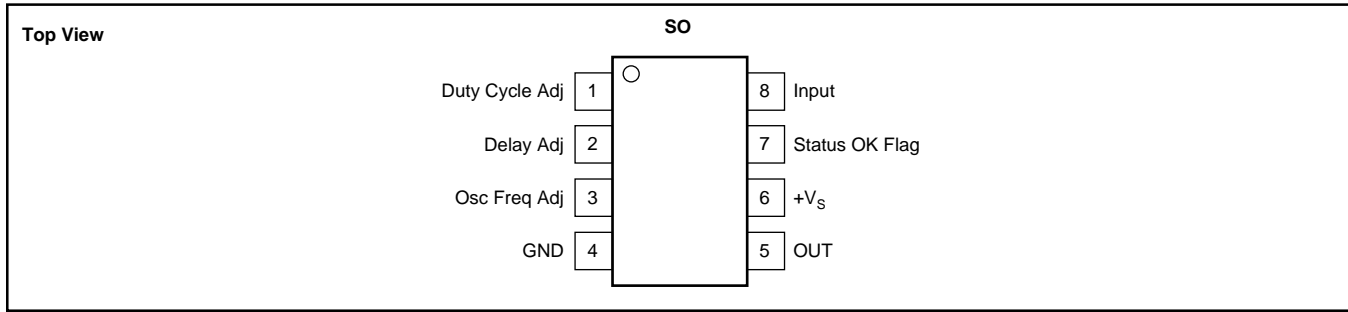
ELECTRICAL CHARACTERISTICS

At $T_C = +25^\circ\text{C}$, $V_S = +24\text{V}$, Load = 100Ω , and $4.99\text{k}\Omega$ "OK Flag" pullup to +5V, Delay Adj Capacitor = 100pF to Ground, Freq Adj Resistor = $205\text{k}\Omega$ to Ground, Duty Cycle Adj Resistor = $137\text{k}\Omega$ to Ground, unless otherwise noted.

PARAMETER	CONDITIONS	DRV103U, H			UNITS
		MIN	TYP	MAX	
OUTPUT					
Output Current ⁽¹⁾	SO-8 Package (U) PowerPAD™ SO-8 Package (H)		1.5 3		A A
Output Saturation Voltage, Source	$I_O = 1\text{A}$ $I_O = 0.1\text{A}$		+0.4 +0.05	+0.6 +0.07	V V
Current Limit ^{(2), (10)}		3	3.5	4.2	A
Leakage Current	DMOS Output Off, $V_O = +32\text{V}$		± 1	± 10	μA
DIGITAL CONTROL INPUT⁽³⁾					
V_{CTR} Low (output disabled)		0		+1.2	V
V_{CTR} High (output enabled)		+2.2		+5.5	V
I_{CTR} Low (output disabled)	$V_{\text{CTR}} = 0\text{V}$		0.01	1	μA
I_{CTR} High (output enabled)	$V_{\text{CTR}} = +5.5\text{V}$		120	150	μA
Propagation Delay	On-to-Off and Off-to-On		1		μs
DELAY TO PWM⁽⁴⁾	DC to PWM Mode				
Delay Equation ⁽⁵⁾			See Note (6)		s
Delay Time	$C_D = 0.1\mu\text{F}$	90	110	140	ms
Minimum Delay Time ⁽⁷⁾	$C_D = 0$		18		μs
DUTY CYCLE ADJUST					
Duty Cycle Range			10 to 90		%
Duty Cycle Accuracy	50% Duty Cycle, 25kHz		± 2		%
vs Supply Voltage	50% Duty Cycle, $V_S = V_O = +8\text{V}$ to $+32\text{V}$		± 2		%
Nonlinearity ⁽⁸⁾	10% to 90% Duty Cycle		1		% FSR
DYNAMIC RESPONSE					
Output Voltage Rise Time	$V_O = 10\%$ to 90% of V_S		0.2	2	μs
Output Voltage Fall Time	$V_O = 90\%$ to 10% of V_S		0.2	2	μs
Oscillator Frequency Range	External Adjust		0.5 to 100		kHz
Oscillator Frequency	$R_{\text{OSC}} = 205\text{k}\Omega$	20	25	30	kHz
OK FLAG					
Normal Operation	$20\text{k}\Omega$ Pull-Up to +5V	+4.5	5.0		V
Fault ⁽⁹⁾	Sinking 1mA		+0.22	+0.4	V
Sink Current	$V_{\text{OKFLAG}} = 0.4\text{V}$		2		mA
Over-Current Flag: Set			5		μs
THERMAL SHUTDOWN					
Junction Temperature					
Shutdown			+160		$^\circ\text{C}$
Reset from Shutdown			+140		$^\circ\text{C}$
POWER SUPPLY					
Specified Operating Voltage			+24		V
Operating Voltage Range		+8		+32	V
Quiescent Current	$I_O = 0$		0.4	0.8	mA
TEMPERATURE RANGE					
Specified Range		-40		+85	$^\circ\text{C}$
Operating Range		-55		+125	$^\circ\text{C}$
Storage Range		-65		+150	$^\circ\text{C}$
Thermal Resistance, θ_{JA}					$^\circ\text{C}/\text{W}$
SO-8 (U)	1in^2 0.5oz. Copper on PCB		150		$^\circ\text{C}/\text{W}$
PowerPAD™ SO-8 (H) ⁽¹⁰⁾	1in^2 0.5oz. Copper on PCB		68		$^\circ\text{C}/\text{W}$

NOTES: (1) Output current is limited by internal current limit and by DRV103 power dissipation. (2) Output current resets to zero when current limit is reached. (3) Logic High enables output (normal operation). (4) Constant DC output to PWM (Pulse-Width Modulated) time. (5) Maximum delay is determined by an external capacitor. Pulling the Delay Adjust Pin LOW corresponds to an infinite (continuous) delay. (6) Delay to PWM = $C_D \cdot 10^6$ (C_D in F \cdot 1.1). (7) Connecting the Delay Adjust Pin to +5V reduces delay time to less than $1\mu\text{s}$. (8) V_{IN} at pin 3 to percent of duty cycle at pin 6. (9) OK Flag LOW indicates fault from over-temperature or over-current conditions. (10) PowerPAD™ SO-8 (H) package has highest continuous current (2A) because the chip operates at a lower junction temperature when underside metal tab is connected to a heat sink or heat spreader. $\theta_{\text{JA}} = 68^\circ\text{C}/\text{W}$ measured on DRV103 demo board; $\theta_{\text{JA}} = 58^\circ\text{C}/\text{W}$ measured on JEDEC standard test board. H package $\theta_{\text{JC}} = 16.7^\circ\text{C}/\text{W}$.

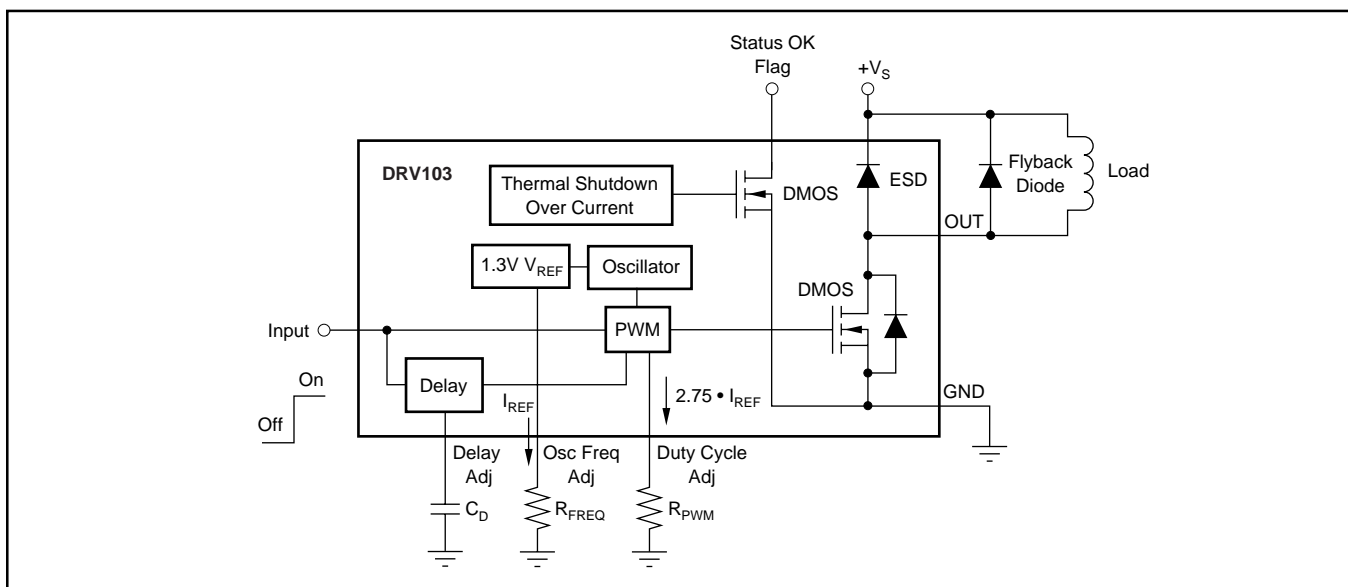
PIN CONFIGURATION



PIN DESCRIPTIONS

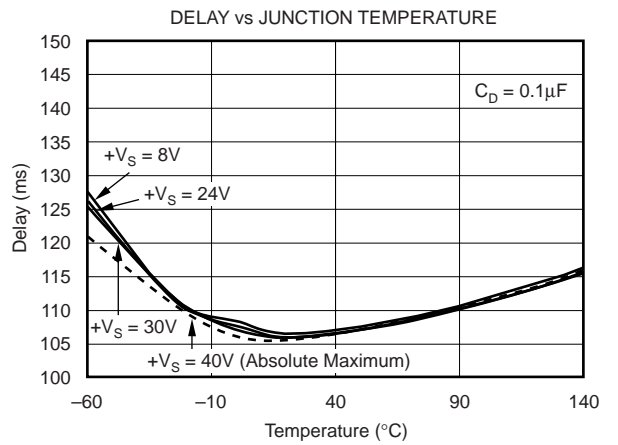
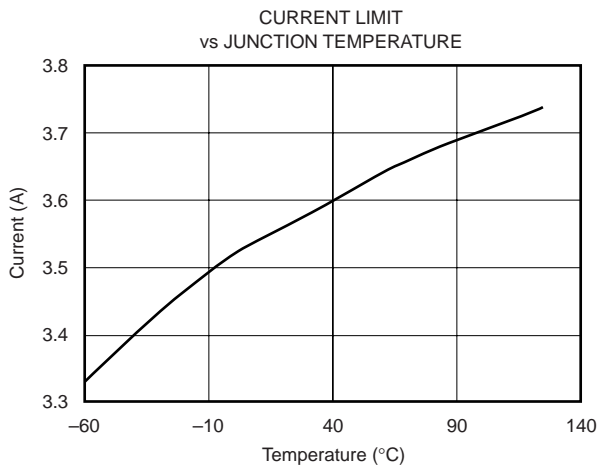
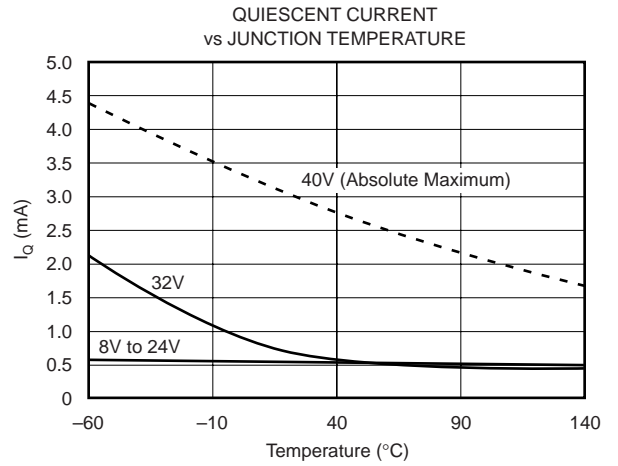
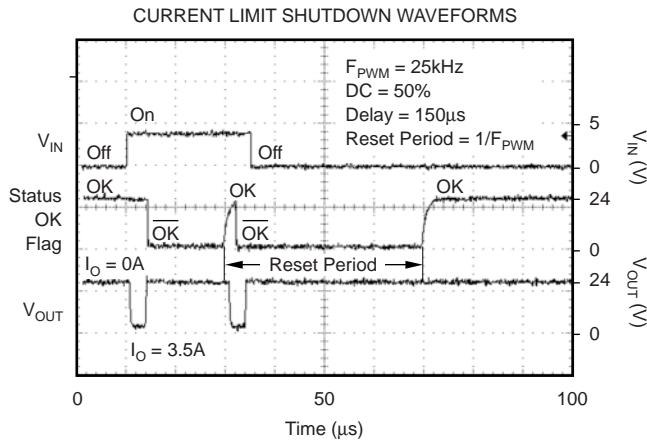
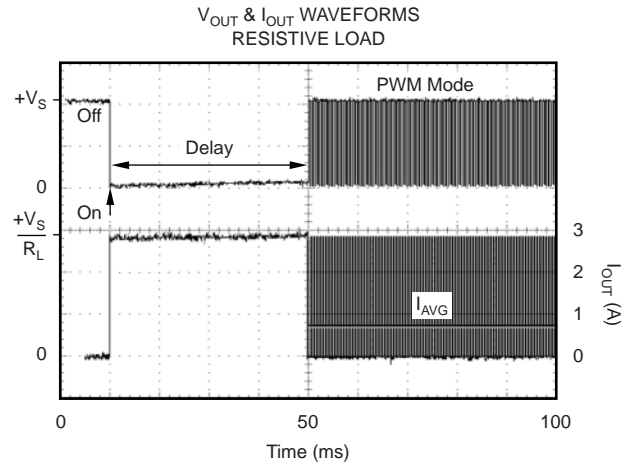
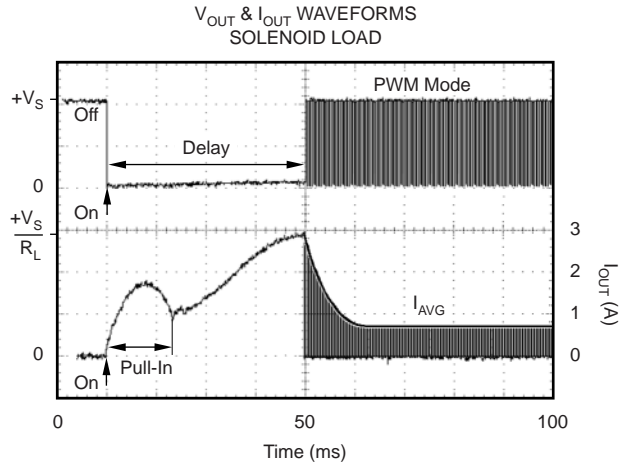
PIN #	NAME	DESCRIPTION
Pin 1	Duty Cycle Adjust	Internally, this pin connects to the input of a comparator and a $(2.75 \times I_{REF})$ current source from V _S . The voltage at this node linearly sets the duty cycle. Duty cycle can be programmed with a resistor, analog voltage, or the voltage output of a D/A converter. The active voltage range is from 1.3V to 3.9V to facilitate the use of single-supply control electronics. At 3.56V, output duty cycle is near 90%. At 1.5V, output duty cycle is near 10%.
Pin 2	Delay Adjust	This pin sets the duration of the initial 100% duty cycle before the output goes into PWM mode. Leaving this pin floating results in a delay of approximately 18μs, which is internally limited by parasitic capacitance. Minimum delay may be reduced to less than 1μs by tying the pin to 5V. This pin connects internally to a 3μA current source from V _S and to a 2.6V threshold comparator. When the pin voltage is below 2.6V, the output device is 100% ON. The PWM oscillator is not synchronized to the Input (pin 1), so the duration of the first pulse may be any portion of the programmed duty cycle.
Pin 3	Oscillator Frequency Adjust	PWM frequency is adjustable. A resistor to ground sets the current I _{REF} and the internal PWM oscillator frequency. A range of 500Hz to 100kHz can be achieved with practical resistor values. Although oscillator frequency operation below 500Hz is possible, resistors higher than 10M will be required. The pin then becomes a very high impedance node and is, therefore, sensitive to noise pickup and PCB leakage currents.
Pin 4	GND	This pin must be connected to system ground for the DRV103 to function. It carries the 0.4mA quiescent current plus the full load current when the power DMOS transistor is switched on.
Pin 5	OUT	The output is the drain of a power DMOS transistor with its source connected to ground. Its low on-resistance (0.5Ω typ) assures low power dissipation in the DRV103. Gate drive to the power device is controlled to provide a slew-rate limited rise and fall time. This reduces radiated RFI/EMI noise. A flyback diode is needed with inductive loads to conduct the load current during the off cycle. The external diode should be selected for low forward voltage and low storage time. The internal clamp diode (an ESD protection diode) provides some degree of back-EMF protection but it should not be used as a flyback diode.
Pin 6	+V _S	This is the power supply pin. Operating range is +8V to +32V. +V _S must be ≥ the supply voltage to the load.
Pin 7	Status OK Flag	Normally HIGH (active LOW), a Flag LOW signals either an over-temperature or over-current fault. The over-current flag (Status OK) is LOW only when the output is ON (constant DC output or the "ON" portion of PWM mode). A thermal fault (thermal shutdown) occurs when the die surface reaches approximately 160°C and latches until the die cools to 140°C. This output requires a pull-up resistor and it can typically sink 2mA, sufficient to drive a low-current LED. Sink current is internally limited at 10mA typical.
Pin 8	Input	The input is compatible with standard TTL levels. The device output becomes enabled when the input voltage is driven above the typical switching threshold, 1.7V. Below this level, the output is disabled. Input current is typically 10nA when driven HIGH and 10nA with the input LOW. The input should not be directly connected to the power supply (V _S) or damage will occur.

LOGIC BLOCK DIAGRAM



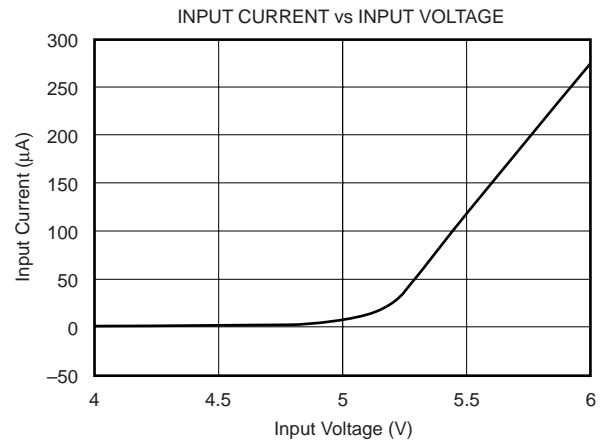
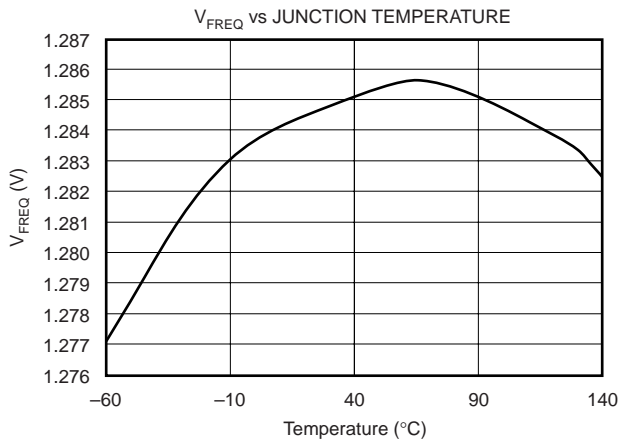
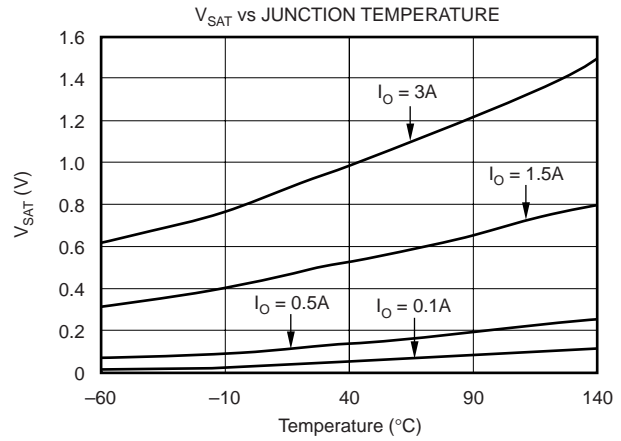
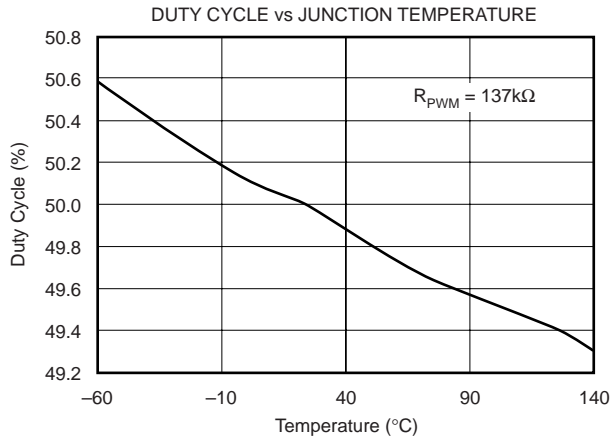
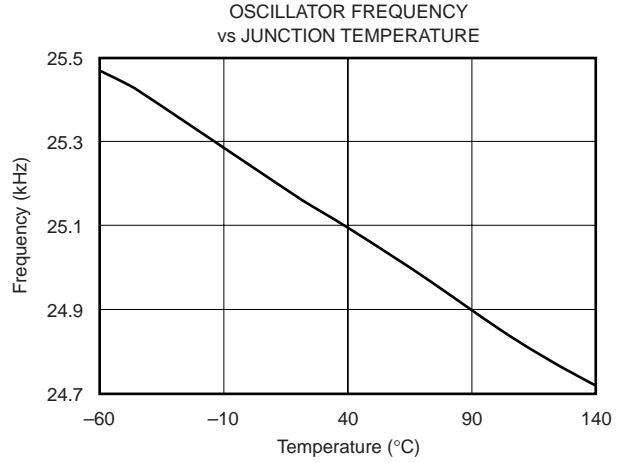
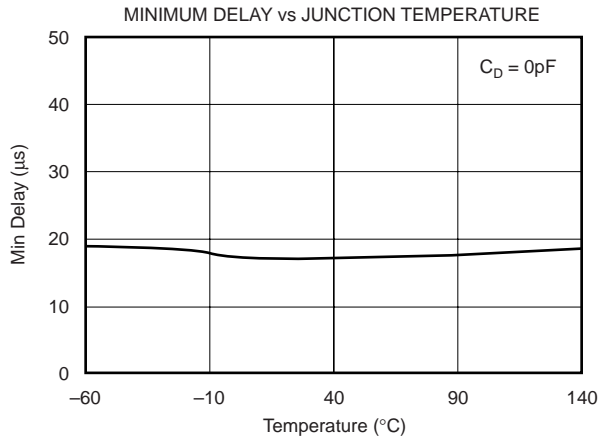
TYPICAL CHARACTERISTICS

At $T_C = +25^\circ\text{C}$ and $V_S = +24\text{V}$, unless otherwise noted.



TYPICAL CHARACTERISTICS (Cont.)

At $T_C = +25^\circ\text{C}$ and $V_S = +24\text{V}$, unless otherwise noted.



BASIC OPERATION

The DRV103 is a low-side, DMOS power switch employing a Pulse-Width Modulated (PWM) output for driving electro-mechanical and thermal devices. Its design is optimized for two types of applications: a two-state driver (open/close) for loads such as solenoids and actuators; and a linear driver for valves, positioners, heaters, and lamps. Its low 0.5Ω “ON” resistance, small size, adjustable delay to PWM mode, and adjustable duty cycle make it suitable for a wide range of applications.

Figure 1 shows the basic circuit connections to operate the DRV103. A $1\mu\text{F}$ ($22\mu\text{F}$ when driving high current loads) or larger tantalum bypass capacitor is recommended on the power-supply pin.

Input (pin 8) is level-triggered and compatible with standard TTL levels. An input voltage between $+2.2\text{V}$ and $+5.5\text{V}$ turns the device’s output ON, while a voltage of 0V to $+1.2\text{V}$ shuts the DRV103’s output OFF. Input bias current is typically $1\mu\text{A}$. Delay Adjust (pin 2) and Duty Cycle Adjust (pin 1) allow external adjustment of the PWM output signal. The Delay Adjust pin can be left floating for minimum delay to PWM mode (typically $18\mu\text{s}$) or a capacitor can be used to

set a longer delay time. A resistor, analog voltage, or a voltage from a D/A converter can be used to control the duty cycle of the PWM output. The D/A converter must be able to sink a current $2.75 \cdot I_{\text{REF}}$ ($I_{\text{REF}} = 1.3\text{V}/R_{\text{FREQ}}$).

Figure 2 illustrates a typical timing diagram with the Delay Adjust pin connected to a 3.9nF capacitor, the duty cycle set to 75%, and oscillator frequency set to 1kHz . See the “Delay Adjust” and “Duty Cycle Adjust” text for equations and further explanation. Ground (pin 4) must be connected to system ground for the DRV103 to function. This serves as the load current path to ground, as well as the DRV103 signal ground. The load (relay, solenoid, valve, etc.) should be connected between the supply (pin 5) and output (pin 6). For an inductive load, an external “flyback” diode is required, as shown in Figure 1. The diode serves to maintain continuous current flow in the inductive load during OFF periods of PWM operation. For remotely located loads, the external diode is ideally located next to the DRV103. The internal ESD clamp diode between the output and supply is not intended to be used as a “flyback diode.” The Status OK Flag (pin 7) provides fault status for over-current and thermal shutdown conditions. This pin is active LOW with output voltage of typically $+0.3\text{V}$ during a fault condition.

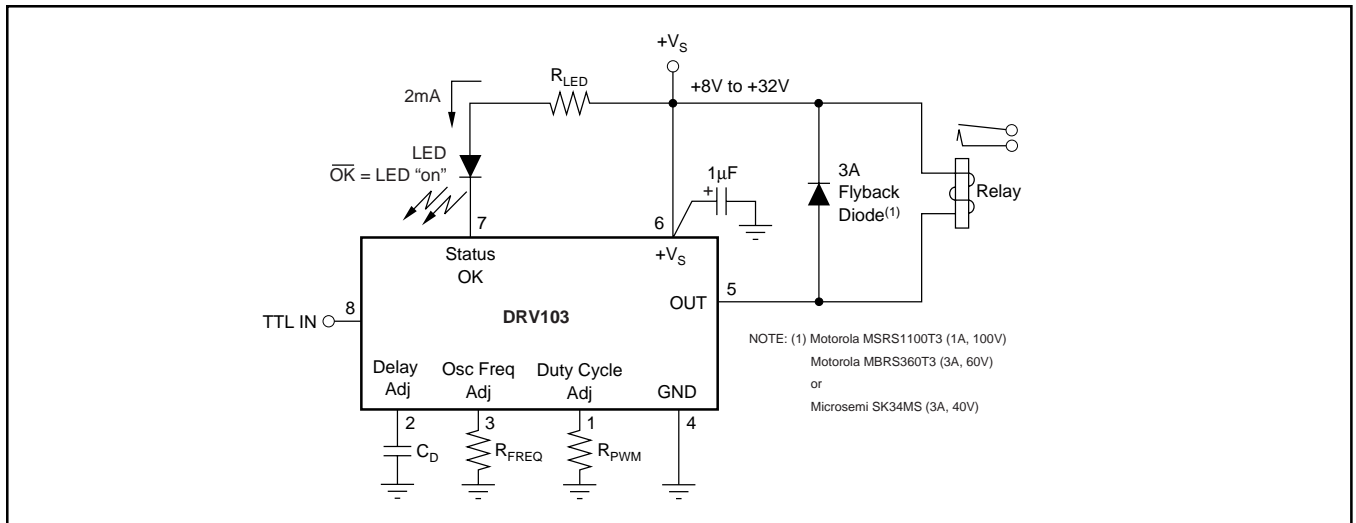


FIGURE 1. DRV103 Basic Circuit Connections.

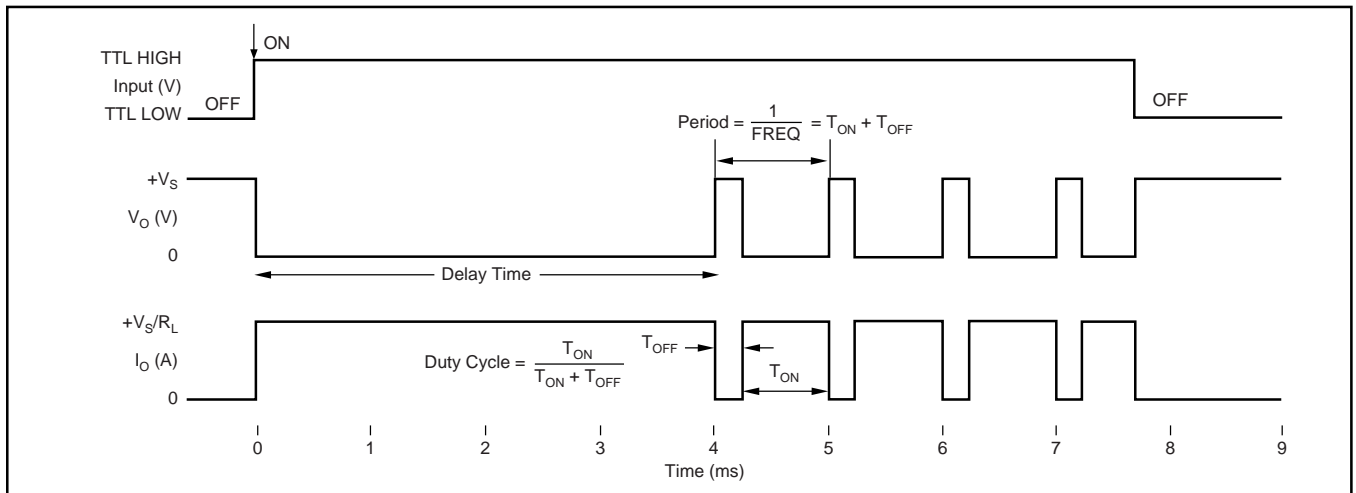


FIGURE 2. Typical DRV103 Timing Diagram, with $C_D = 3.9\text{nF}$, $\text{OscFreq} = 1\text{kHz}$, and 75% Duty Cycle.

APPLICATIONS INFORMATION

POWER SUPPLY

The DRV103 operates from a single +8V to +32V supply with excellent performance. Most behavior remains unchanged throughout the full operating voltage range. Parameters that vary significantly with operating voltage are shown in the Typical Performance Curves. The DRV103 supply voltage should be \geq the supply voltage on the load.

ADJUSTABLE DELAY TIME (INITIAL 100% DUTY CYCLE)

A unique feature of the DRV103 is its ability to provide an initial constant DC output (100% duty cycle) and then switch to PWM mode output to save power. This function is particularly useful when driving solenoids that have a much higher pull-in current requirement than continuous hold requirement.

The duration of this constant DC output (before PWM output begins) can be externally controlled by a capacitor connected from Delay Adjust (pin 2) to ground according to the following equation:

$$\text{Delay Time} \approx C_D \cdot 10^6$$

(time in seconds, C_D in Farads \cdot 1.1)

Leaving the Delay Adjust pin open results in a constant output time of approximately 18 μ s. The duration of this initial output can be reduced to less than 1 μ s by connecting the pin to 5V. Table I provides examples of delay times (constant output before PWM mode) achieved with selected capacitor values.

INITIAL CONSTANT OUTPUT DURATION	C_D
1 μ s	Pin 2 Tied to +5V
18 μ s	Pin 2 Open
110 μ s	100pF
1.1ms	1nF
11ms	10nF
110ms	100nF
1.1s	1 μ F
11s	10 μ F

TABLE I. Delay Adjust Times.

The internal Delay Adjust circuitry is composed of a 3 μ A current source and a 2.6V comparator, as shown in Figure 3. Thus, when the pin voltage is less than 2.6V, the output device is 100% ON (DC output mode).

OSCILLATOR FREQUENCY ADJUST

The DRV103 PWM output frequency can be easily programmed over a wide range by connecting a resistor (R_{FREQ}) between the Osc Freq Adj pin (pin 3) and ground. A range of 500Hz to 100kHz can be achieved with practical resistor values, as shown in Table II. Refer to “PWM Frequency vs R_{FREQ} ” typical performance curve shown in Figure 4 for additional information. Although oscillator frequency operation below 500Hz is possible, resistors higher than 10M will be required. The pin becomes a very high impedance node and is, therefore, sensitive to noise pickup and PCB leakage currents if very high resistor values are used. Refer to Figure 3 for a simplified circuit of the frequency adjust input.

OSCILLATOR FREQUENCY (Hz)	R_{FREQ} (nearest 1% values) (Ω)
100k	47.5k
50k	100k
25k	205k
10k	523k
5k	1.07M
500	11.3M

TABLE II. Oscillator Frequency Resistance.

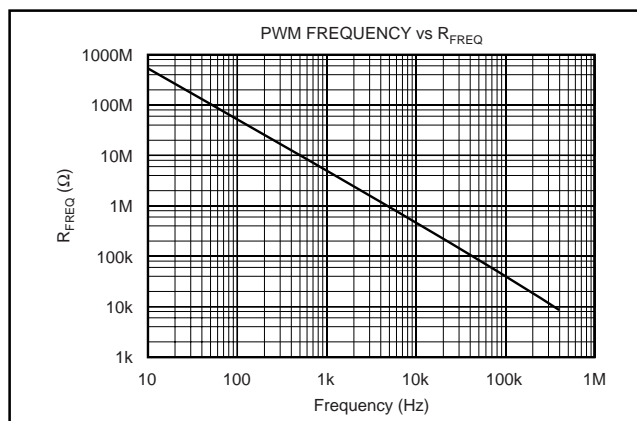


FIGURE 4. Using a Resistor to Program Oscillator Frequency.
 $R_{FREQ} (k\Omega) = 6808417/F^{(1.0288)}$

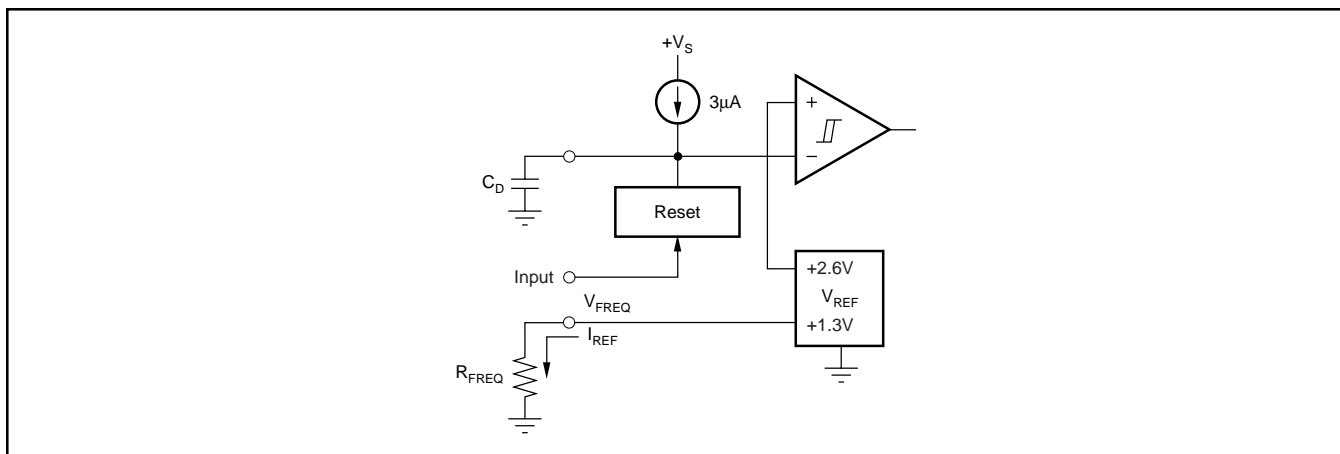


FIGURE 3. Simplified Delay Adjust and Frequency Adjust Inputs.

The DRV103's adjustable PWM output frequency allows it to be optimized for driving virtually any type of load.

ADJUSTABLE DUTY CYCLE (PWM Mode)

The DRV103's externally adjustable duty cycle provides an accurate means of controlling power delivered to a load. Duty cycle can be set over a range of at least 10% to 90% with an external resistor, analog voltage, or the voltage output of a D/A converter. A low duty cycle results in reduced power dissipation in the load. This keeps the DRV103 and the load cooler, resulting in increased reliability for both devices.

Resistor Controlled Duty Cycle

Duty cycle is easily programmed by connecting a resistor (R_{PWM}) between the Duty Cycle Adjust pin (pin 1) and ground. High resistor values correspond to high duty cycles. Table III provides resistor values for typical duty cycles. Resistor values for additional duty cycles can be obtained from Figure 5. For reference purposes, the equation for calculating R_{PWM} is included in Figure 5.

DUTY CYCLE (%)	R_{PWM} (Nearest 1% Values)		
	5kHz	25kHz	100kHz
5	374k	75k	16.9k
10	402k	80.6k	19.1k
20	475k	95.3k	22.6k
30	549k	110k	26.1k
40	619k	124k	29.4k
50	681k	137k	33.2k
60	750k	150k	37.4k
70	825k	165k	40.2k
80	887k	182k	44.2k
90	953k	196k	47.5k
95	1M	200k	49.9k

TABLE III. Duty Cycle Adjust Resistance.

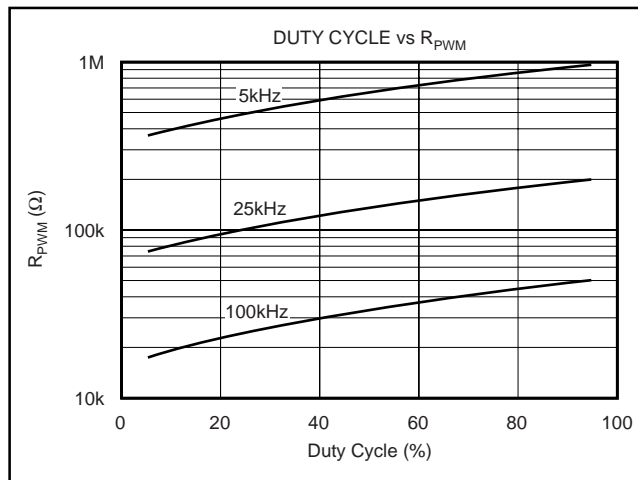


FIGURE 5. Using a Resistor to Program Duty Cycle.
At 25kHz: R_{PWM} (k Ω) = 67.46 + 1.41 • %DC.

A 100pF capacitor in parallel with R_{PWM} is recommended when switching a high load current to maintain a clean output switching waveform, as shown in Figure 6.

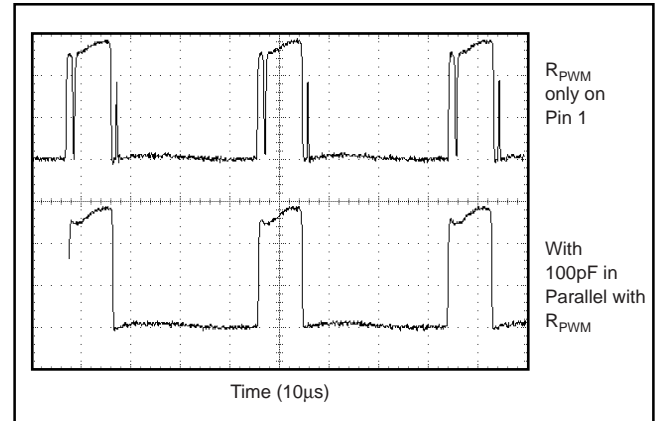


FIGURE 6. Output Waveform at High Load Current.

Voltage Controlled Duty Cycle

Duty cycle can also be programmed by an analog voltage, V_{PWM} . With $V_{PWM} \approx 3.56V$, duty cycle is about 90%. Decreasing this voltage results in decreased duty cycles. Table IV provides V_{PWM} values for typical duty cycles. The "Duty Cycle vs Voltage" typical performance curve for additional duty cycles is shown in Figure 7.

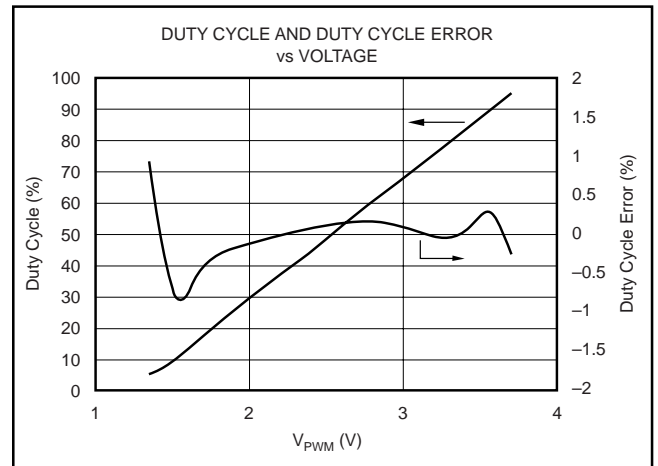


FIGURE 7. Using a Voltage to Program Duty Cycle.
At $V_S = 24V$ and $F = 25kHz$: $V_{PWM} = 1.25 + 0.026 \cdot \%DC$.

DUTY CYCLE (%)	V_{PWM} (V)
5	1.344
10	1.518
20	1.763
40	2.283
60	2.788
80	3.311
90	3.561
95	3.705

TABLE IV. Duty Cycle Adjust Voltage.

The Duty Cycle Adjust pin is internally driven by an oscillator frequency dependent current source and connects to the input of a comparator as shown in Figure 8. The DRV103's PWM adjustment is inherently monotonic. That is, a decreased voltage (or resistor value) always produces an increased duty cycle.

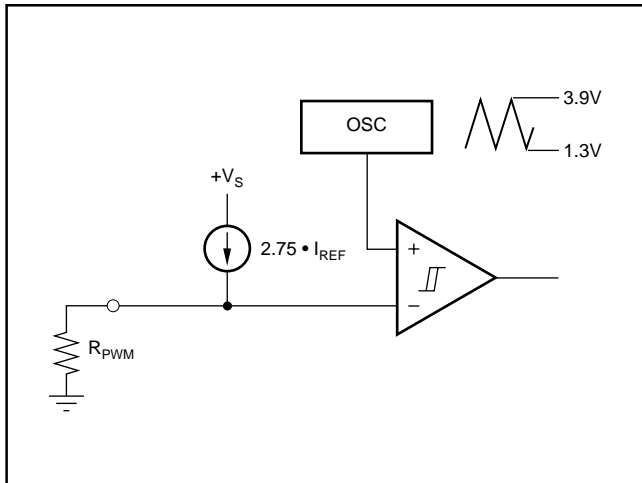


FIGURE 8. Simplified Duty Cycle Adjust Input.

STATUS FLAG

The OK Flag (pin 7) provides a fault indication for over-current and thermal shutdown conditions. During a fault condition, the Status OK Flag output is driven LOW (pin voltage typically drops to 0.3V). A pull-up resistor, as shown in Figure 9, is required to interface with standard logic. Figure 9 also gives an example of a non-latching fault monitoring circuit, while Figure 10 provides a latching version. The OK Flag pin can sink up to 10mA, sufficient to drive external logic circuitry, a reed relay, or an LED, as shown in Figure 11, to indicate when a fault has occurred. In addition, the OK Flag pin can be used to turn off other DRV103s in a system for chain fault protection.

Over Current Fault

An over-current fault occurs when the PWM peak output current is greater than approximately 3.75A. The OK flag is not latched. Since current during PWM mode is switched on and off, the OK flag output will be modulated with PWM timing (see OK flag waveforms in the Typical Performance Curves).

Avoid adding capacitance to pin 6 (Out) as it may cause momentary current limiting.

Over-Temperature Fault

A thermal fault occurs when the die reaches approximately 160°C, producing a similar effect as pulling the input low. Internal shutdown circuitry disables the output. The OK Flag is latched in the LOW state (fault condition) until the die has cooled to approximately 140°C.

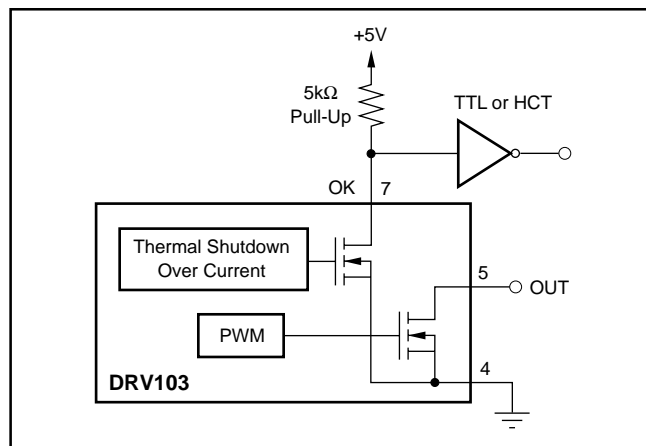
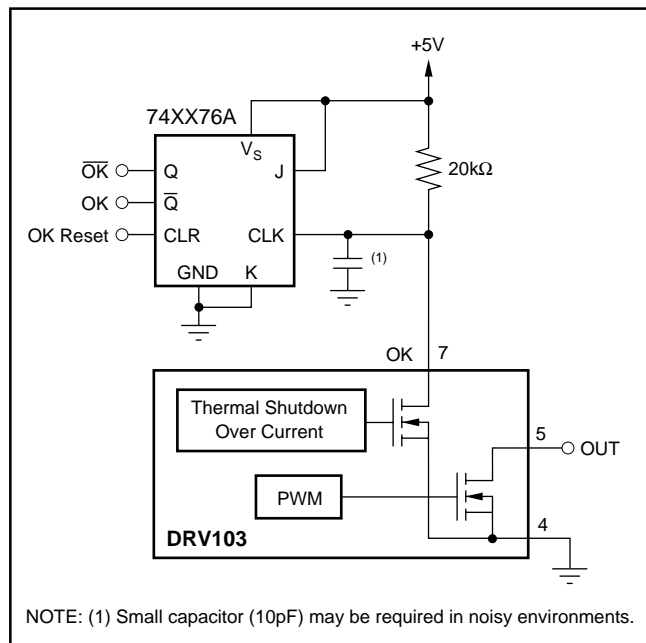


FIGURE 9. Non-Latching Fault Monitoring Circuit.



NOTE: (1) Small capacitor (10pF) may be required in noisy environments.

FIGURE 10. Latching Fault Monitoring Circuit.

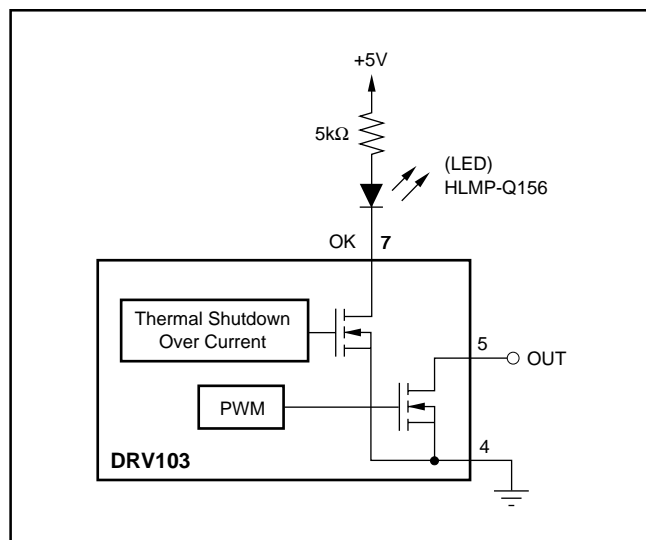


FIGURE 11. LED to Indicate Fault Condition.

PACKAGE MOUNTING

Figure 12 provides recommended PCB layouts for both the SO-8 (U) and the PowerPAD™ SO-8 (H) packages. Although the metal pad of the PowerPAD™ SO-8 (H) package is electrically connected to ground (pin 4), no current should flow in this pad. Do NOT use the exposed metal pad as a power ground connection or erratic operation will result. For lowest overall thermal resistance, it is best to solder the PowerPAD™ directly to a circuit board, as illustrated in Figure 13. Increasing the “heat sink” copper area improves heat dissipation. Figure 14 shows typical junction-to-ambient thermal resistance as a function of the PC board copper area.

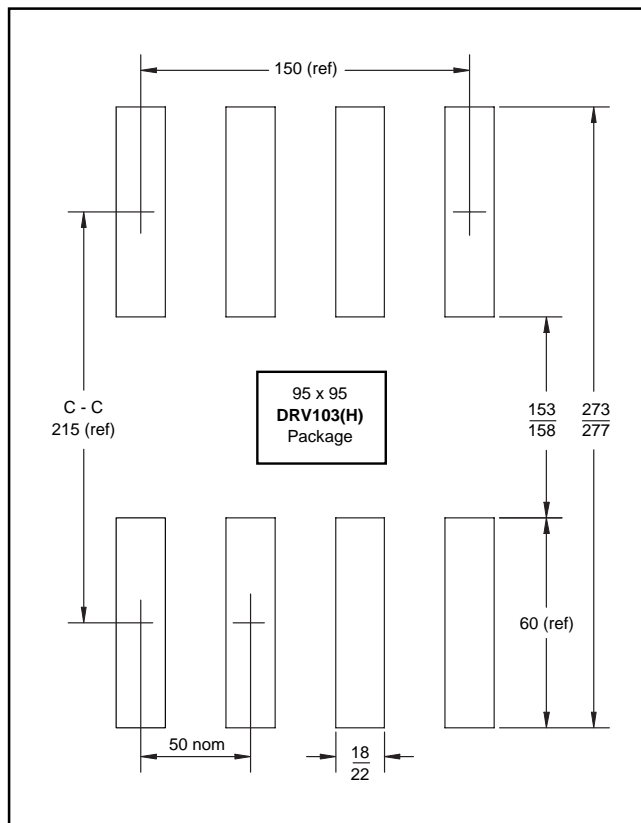


FIGURE 12. Recommended PCB Layout.

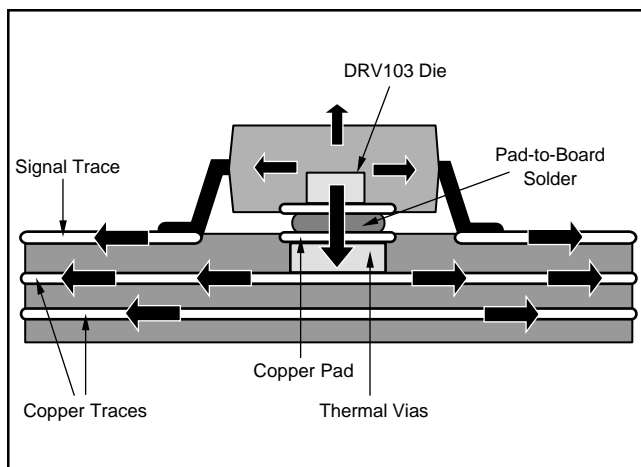


FIGURE 13. PowerPAD Heat Transfer.

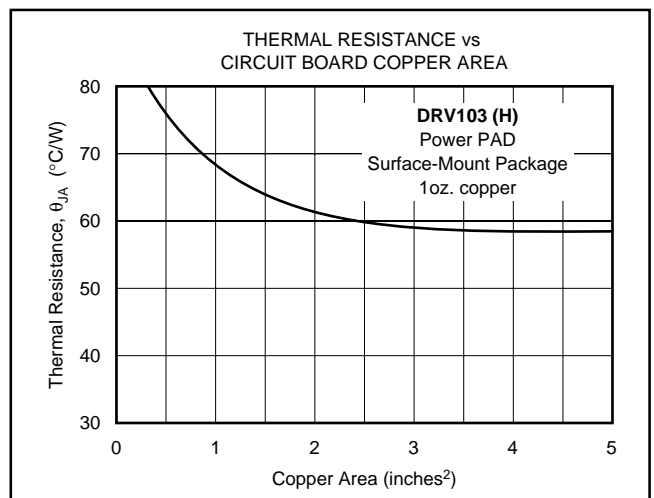


FIGURE 14. Heat Sink Thermal Resistance vs Circuit Board Copper Area.

POWER DISSIPATION

DRV103 power dissipation depends on power supply, signal, and load conditions. Power dissipation (P_D) is equal to the product of output current times the voltage across the conducting DMOS transistor times the duty cycle. Using the lowest possible duty cycle necessary to assure the required hold force can minimize power dissipation in both the load and in the DRV103. For low current, the output DMOS transistor on-resistance is 0.5Ω , increasing to 0.6Ω at high output current.

At very high oscillator frequencies, the energy in the DRV103's linear rise and fall times can become significant and cause an increase in P_D .

Application Bulletin SBFA002 at www.ti.com, explains how to calculate or measure power dissipation with unusual signals and loads.

THERMAL PROTECTION

Power dissipated in the DRV103 will cause its internal junction temperature to rise. The DRV103 has an on-chip thermal shutdown circuitry that protects the IC from damage. The thermal protection circuitry disables the output when the junction temperature reaches approximately $+160^\circ\text{C}$, allowing the device to cool. When the junction temperature cools to approximately $+140^\circ\text{C}$, the output circuitry is again enabled. Depending on load and signal conditions, the thermal protection circuit may cycle on and off. This limits the dissipation of the driver but may have an undesirable effect on the load.

Any tendency to activate the thermal protection circuit indicates excessive power dissipation or an inadequate heat sink. For reliable operation, junction temperature should be limited to $+125^\circ\text{C}$, maximum. To estimate the margin of safety in a complete design (including heat sink), increase the ambient temperature until the thermal protection is triggered. Use worst-case load and signal conditions. For good reliability, thermal protection should trigger more than 40°C above the maximum expected ambient condition of your application. This produces a junction temperature of 125°C at the maximum expected ambient condition.

The internal protection circuitry of the DRV103 was designed to protect against overload conditions. It was not intended to replace proper heat sinking. Continuously running the DRV103 into thermal shutdown will degrade reliability.

HEAT SINKING

Most applications will not require a heat sink to assure that the maximum operating junction temperature (125°C) is not exceeded. However, junction temperature should be kept as low as possible for increased reliability. Junction temperature can be determined according to the equation:

$$T_J = T_A + P_D \theta_{JA} \quad (1)$$

$$\text{where, } \theta_{JA} = \theta_{JC} + \theta_{CH} + \theta_{HA} \quad (2)$$

T_J = Junction Temperature (°C)

T_A = Ambient Temperature (°C)

P_D = Power Dissipated (W)

θ_{JC} = Junction-to-Case Thermal Resistance (°C/W)

θ_{CH} = Case-to-Heat Sink Thermal Resistance (°C/W)

θ_{HA} = Heat Sink-to-Ambient Thermal Resistance (°C/W)

θ_{JA} = Junction-to-Air Thermal Resistance (°C/W)

Using a heat sink significantly increases the maximum allowable power dissipation at a given ambient temperature.

The answer to the question of selecting a heat sink lies in determining the power dissipated by the DRV103. For DC output into a purely resistive load, power dissipation is simply the load current times the voltage developed across the conducting output transistor times the duty cycle. Other loads are not as simple. For further insight on calculating power dissipation, refer to Application Bulletin SBFA002 at www.ti.com. Once power dissipation for an application is known, the proper heat sink can be selected.

Heat Sink Selection Example

A PowerPAD™ SO-8 (H) package is dissipating 2W. The maximum expected ambient temperature is 35°C. Find the proper heat sink to keep the junction temperature below 125°C.

Combining Equations 1 and 2 gives:

$$T_J = T_A + P_D(\theta_{JC} + \theta_{CH} + \theta_{HA}) \quad (3)$$

T_J , T_A , and P_D are given. θ_{JC} is provided in the specification table, 16.7°C/W. θ_{CH} depends on heat sink size, area, and material used. A semiconductor's package type and mounting can also affect θ_{CH} . A typical θ_{CH} for a soldered-in-place PowerPAD™ SO-8 (H) package is 2°C/W. Now we can solve for θ_{HA} :

$$\theta_{HA} = \frac{T_J - T_A}{P_D} - (\theta_{JC} + \theta_{CH})$$

$$\theta_{HA} = \frac{125^\circ\text{C} - 35^\circ\text{C}}{2\text{W}} - (16.7^\circ\text{C/W} + 2^\circ\text{C/W}) \quad (4)$$

$$\theta_{HA} = 26.3^\circ\text{C/W}$$

To maintain junction temperature below 125°C, the heat sink selected must have a θ_{HA} less than 26.3°C/W. In other words, the heat sink temperature rise above ambient must be less than 52.6°C (26.3°C/W • 2W).

Another variable to consider is natural convection versus forced convection air flow. Forced-air cooling by a small fan can lower θ_{CA} ($\theta_{CH} + \theta_{HA}$) dramatically.

As mentioned earlier, once a heat sink has been selected, the complete design should be tested under worst-case load and signal conditions to ensure proper thermal protection.

RFI/EMI

Any switching system can generate noise and interference by radiation or conduction. The DRV103 is designed with controlled slew rate current switching to reduce these effects. By slowing the rise and fall times of the output to 0.3µs, much lower switching noise is generated.

Radiation from the DRV103-to-load wiring (the “antenna” effect) can be minimized by using “twisted pair” cable or by shielding. Good PCB ground planes are recommended for low noise and good heat dissipation. Refer to Bypassing section for notes on placement of the flyback diode.

BYPASSING

A 1µF tantalum bypass capacitor is adequate for uniform duty cycle control when switching loads of less than 0.5 amps. Larger bypass capacitors are required when switching high current loads. A 22µF tantalum capacitor is recommended for heavy-duty (3A) applications. It may also be desirable to run the DRV103 and the load on separate power supplies at high load currents. Near the absolute maximum supply voltage of 40V, bypassing is especially critical. In the event of a current overload, the DRV103 current limit responds in microseconds, dropping the load current to zero. With inadequate bypass, energy stored in the supply line inductance can lift the supply sufficiently to exceed voltage breakdown with catastrophic results.

Place the flyback diode at the DRV103 end when driving long (inductive) cables to a remotely located load. This minimizes RFI/EMI and helps protect the output DMOS transistor from breakdown caused by di/dt transients. Fast rectifier diodes such as epitaxial silicon or Schottky types are recommended as flyback diodes.

APPLICATIONS CIRCUITS

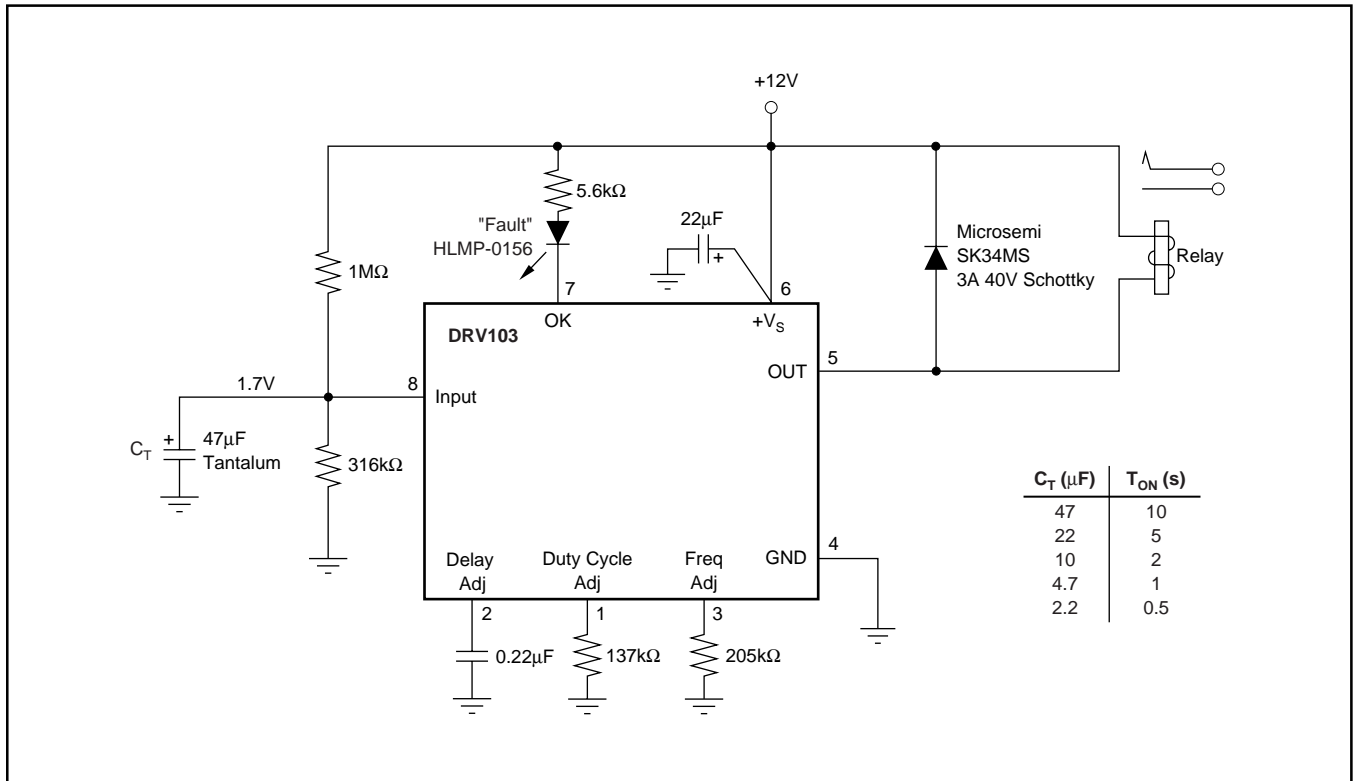


FIGURE 15. Time Delay Relay Driver.

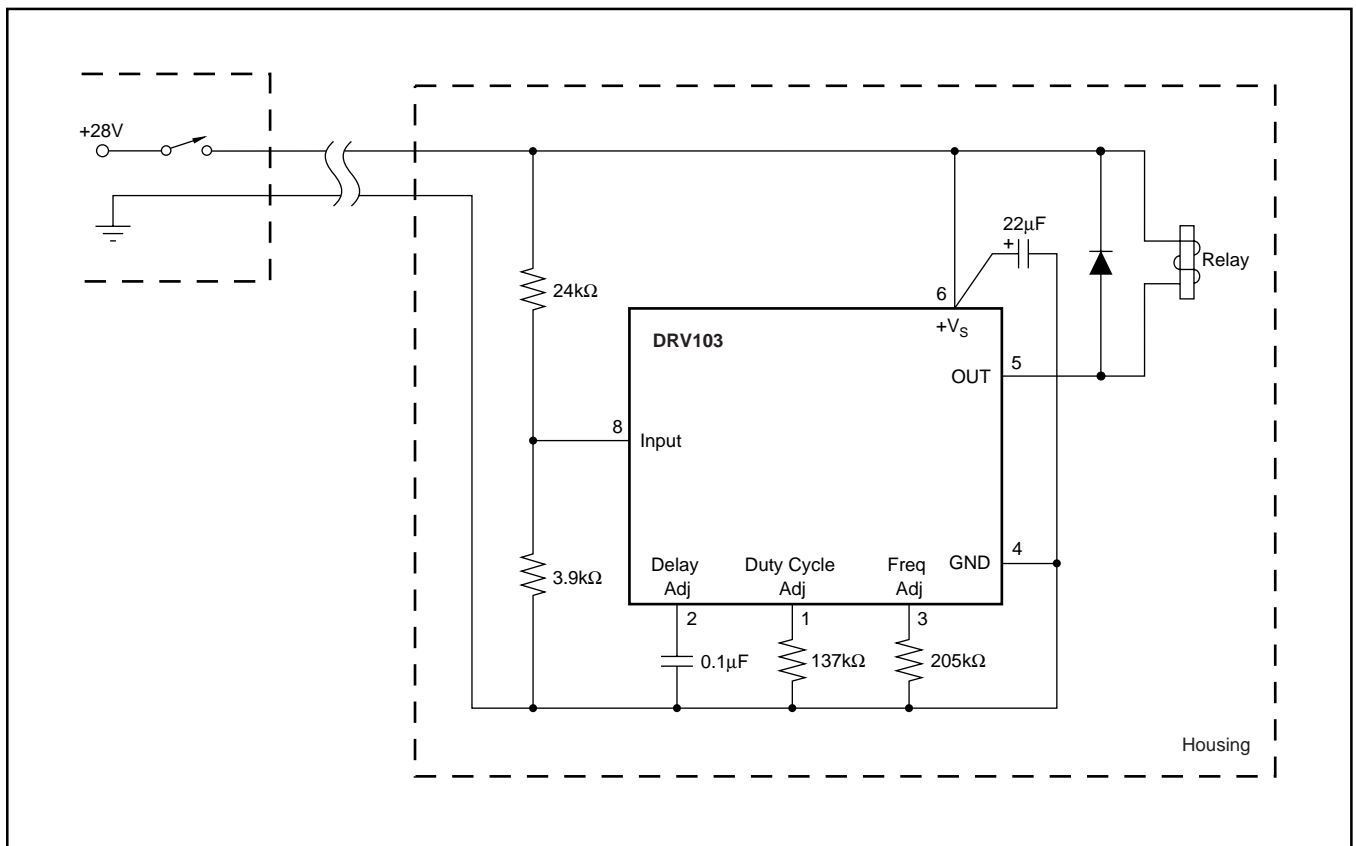


FIGURE 16. Remotely Operated Solenoid Valve or Relay.

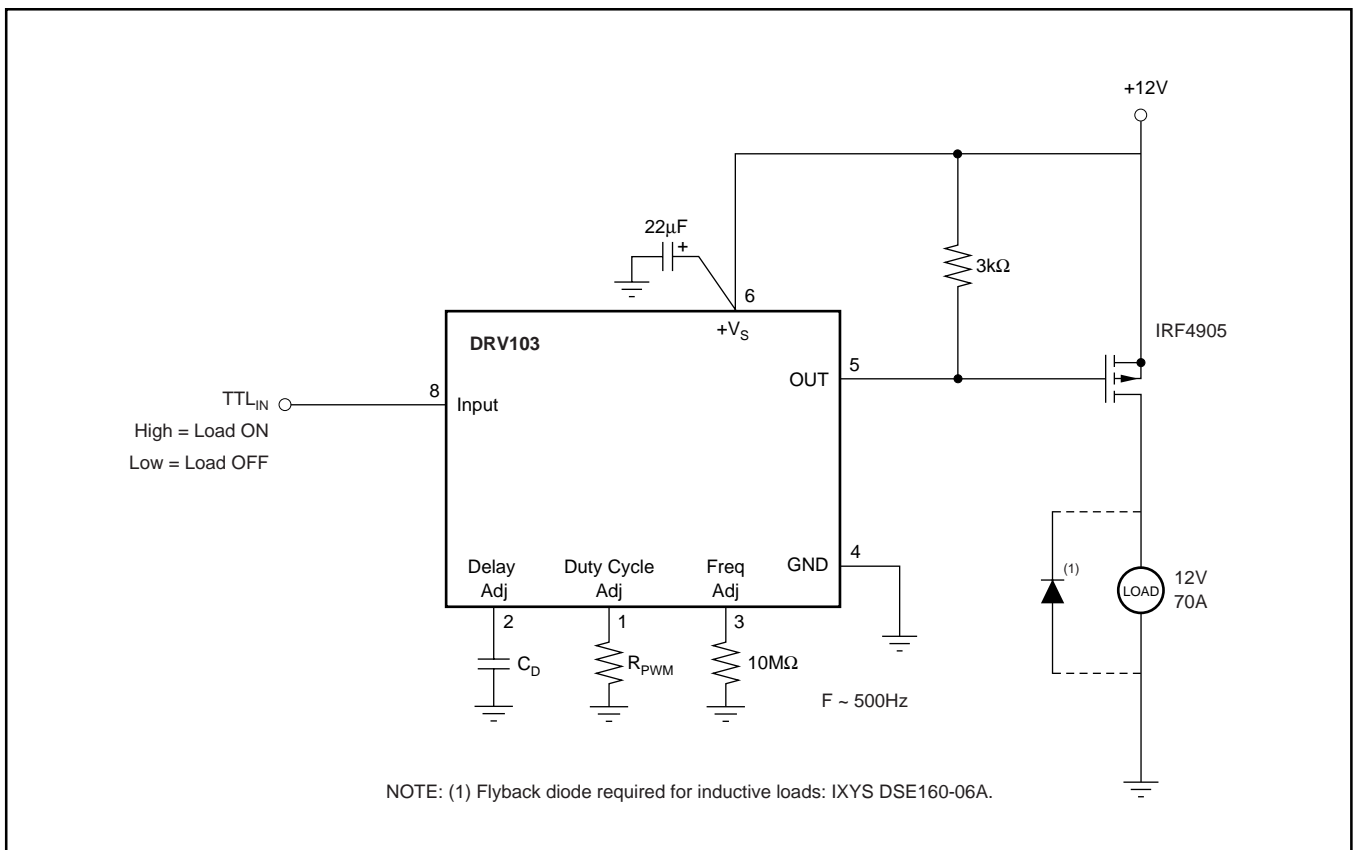


FIGURE 17. High Power High Side Driver.

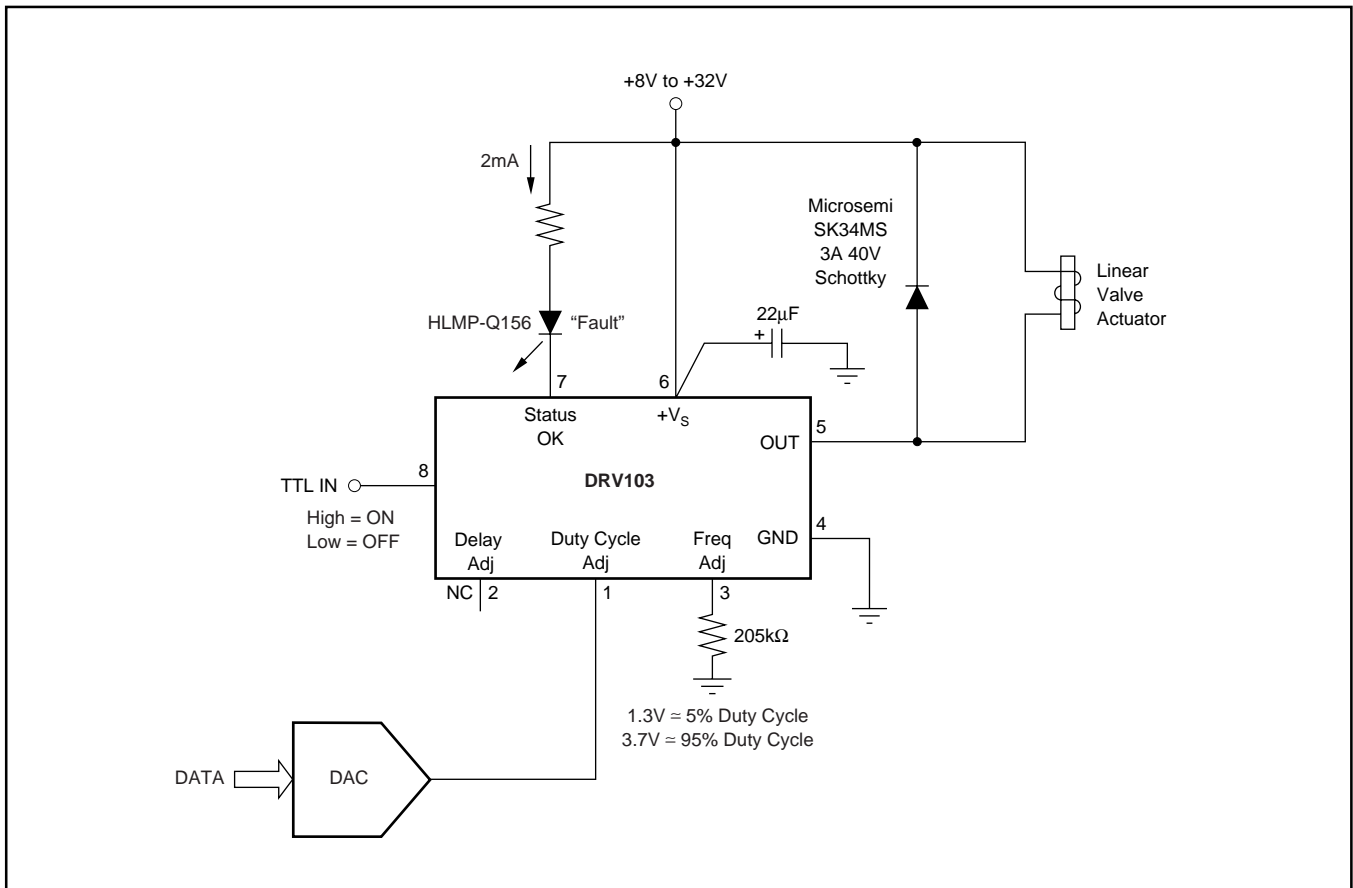


FIGURE 18. Linear Valve Driver.

PACKAGING INFORMATION

Orderable Device	Status (1)	Package Type	Package Drawing	Pins	Package Qty	Eco Plan (2)	Lead/Ball Finish (6)	MSL Peak Temp (3)	Op Temp (°C)	Device Marking (4/5)	Samples
DRV103H	ACTIVE	SO PowerPAD	DDA	8	75	Green (RoHS & no Sb/Br)	CU SN	Level-1-260C-UNLIM	-40 to 85	DRV103H	Samples
DRV103H/2K5	ACTIVE	SO PowerPAD	DDA	8	2500	Green (RoHS & no Sb/Br)	CU SN	Level-1-260C-UNLIM	-40 to 85	DRV103H	Samples
DRV103H/2K5G3	ACTIVE	SO PowerPAD	DDA	8	2500	Green (RoHS & no Sb/Br)	CU SN	Level-1-260C-UNLIM	-40 to 85	DRV103H	Samples
DRV103U	ACTIVE	SOIC	D	8	75	Green (RoHS & no Sb/Br)	CU NIPDAU	Level-2-260C-1 YEAR		DRV103U	Samples
DRV103U/2K5	ACTIVE	SOIC	D	8	2500	Green (RoHS & no Sb/Br)	CU NIPDAU	Level-2-260C-1 YEAR		DRV103U	Samples
DRV103U/2K5G4	ACTIVE	SOIC	D	8	2500	Green (RoHS & no Sb/Br)	CU NIPDAU	Level-2-260C-1 YEAR		DRV103U	Samples
DRV103UG4	ACTIVE	SOIC	D	8	75	Green (RoHS & no Sb/Br)	CU NIPDAU	Level-2-260C-1 YEAR		DRV103U	Samples

(1) The marketing status values are defined as follows:

ACTIVE: Product device recommended for new designs.

LIFEBUY: TI has announced that the device will be discontinued, and a lifetime-buy period is in effect.

NRND: Not recommended for new designs. Device is in production to support existing customers, but TI does not recommend using this part in a new design.

PREVIEW: Device has been announced but is not in production. Samples may or may not be available.

OBSOLETE: TI has discontinued the production of the device.

(2) Eco Plan - The planned eco-friendly classification: Pb-Free (RoHS), Pb-Free (RoHS Exempt), or Green (RoHS & no Sb/Br) - please check <http://www.ti.com/productcontent> for the latest availability information and additional product content details.

TBD: The Pb-Free/Green conversion plan has not been defined.

Pb-Free (RoHS): TI's terms "Lead-Free" or "Pb-Free" mean semiconductor products that are compatible with the current RoHS requirements for all 6 substances, including the requirement that lead not exceed 0.1% by weight in homogeneous materials. Where designed to be soldered at high temperatures, TI Pb-Free products are suitable for use in specified lead-free processes.

Pb-Free (RoHS Exempt): This component has a RoHS exemption for either 1) lead-based flip-chip solder bumps used between the die and package, or 2) lead-based die adhesive used between the die and leadframe. The component is otherwise considered Pb-Free (RoHS compatible) as defined above.

Green (RoHS & no Sb/Br): TI defines "Green" to mean Pb-Free (RoHS compatible), and free of Bromine (Br) and Antimony (Sb) based flame retardants (Br or Sb do not exceed 0.1% by weight in homogeneous material)

(3) MSL, Peak Temp. - The Moisture Sensitivity Level rating according to the JEDEC industry standard classifications, and peak solder temperature.

(4) There may be additional marking, which relates to the logo, the lot trace code information, or the environmental category on the device.

⁽⁵⁾ Multiple Device Markings will be inside parentheses. Only one Device Marking contained in parentheses and separated by a "-" will appear on a device. If a line is indented then it is a continuation of the previous line and the two combined represent the entire Device Marking for that device.

⁽⁶⁾ Lead/Ball Finish - Orderable Devices may have multiple material finish options. Finish options are separated by a vertical ruled line. Lead/Ball Finish values may wrap to two lines if the finish value exceeds the maximum column width.

Important Information and Disclaimer:The information provided on this page represents TI's knowledge and belief as of the date that it is provided. TI bases its knowledge and belief on information provided by third parties, and makes no representation or warranty as to the accuracy of such information. Efforts are underway to better integrate information from third parties. TI has taken and continues to take reasonable steps to provide representative and accurate information but may not have conducted destructive testing or chemical analysis on incoming materials and chemicals. TI and TI suppliers consider certain information to be proprietary, and thus CAS numbers and other limited information may not be available for release.

In no event shall TI's liability arising out of such information exceed the total purchase price of the TI part(s) at issue in this document sold by TI to Customer on an annual basis.

TAPE AND REEL INFORMATION



QUADRANT ASSIGNMENTS FOR PIN 1 ORIENTATION IN TAPE



*All dimensions are nominal

Device	Package Type	Package Drawing	Pins	SPQ	Reel Diameter (mm)	Reel Width W1 (mm)	A0 (mm)	B0 (mm)	K0 (mm)	P1 (mm)	W (mm)	Pin1 Quadrant
DRV103H/2K5	SO Power PAD	DDA	8	2500	330.0	12.4	6.4	5.2	2.1	8.0	12.0	Q1
DRV103U/2K5	SOIC	D	8	2500	330.0	12.4	6.4	5.2	2.1	8.0	12.0	Q1

TAPE AND REEL BOX DIMENSIONS


*All dimensions are nominal

Device	Package Type	Package Drawing	Pins	SPQ	Length (mm)	Width (mm)	Height (mm)
DRV103H/2K5	SO PowerPAD	DDA	8	2500	367.0	367.0	35.0
DRV103U/2K5	SOIC	D	8	2500	367.0	367.0	35.0



Images above are just a representation of the package family, actual package may vary.
Refer to the product data sheet for package details.

DDA (R-PDSO-G8)

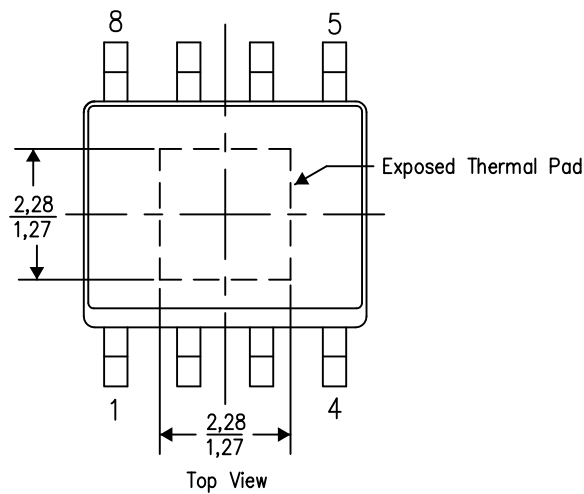
PowerPAD™ PLASTIC SMALL OUTLINE

THERMAL INFORMATION

This PowerPAD™ package incorporates an exposed thermal pad that is designed to be attached to a printed circuit board (PCB). The thermal pad must be soldered directly to the PCB. After soldering, the PCB can be used as a heatsink. In addition, through the use of thermal vias, the thermal pad can be attached directly to the appropriate copper plane shown in the electrical schematic for the device, or alternatively, can be attached to a special heatsink structure designed into the PCB. This design optimizes the heat transfer from the integrated circuit (IC).

For additional information on the PowerPAD package and how to take advantage of its heat dissipating abilities, refer to Technical Brief, PowerPAD Thermally Enhanced Package, Texas Instruments Literature No. SLMA002 and Application Brief, PowerPAD Made Easy, Texas Instruments Literature No. SLMA004. Both documents are available at www.ti.com.

The exposed thermal pad dimensions for this package are shown in the following illustration.

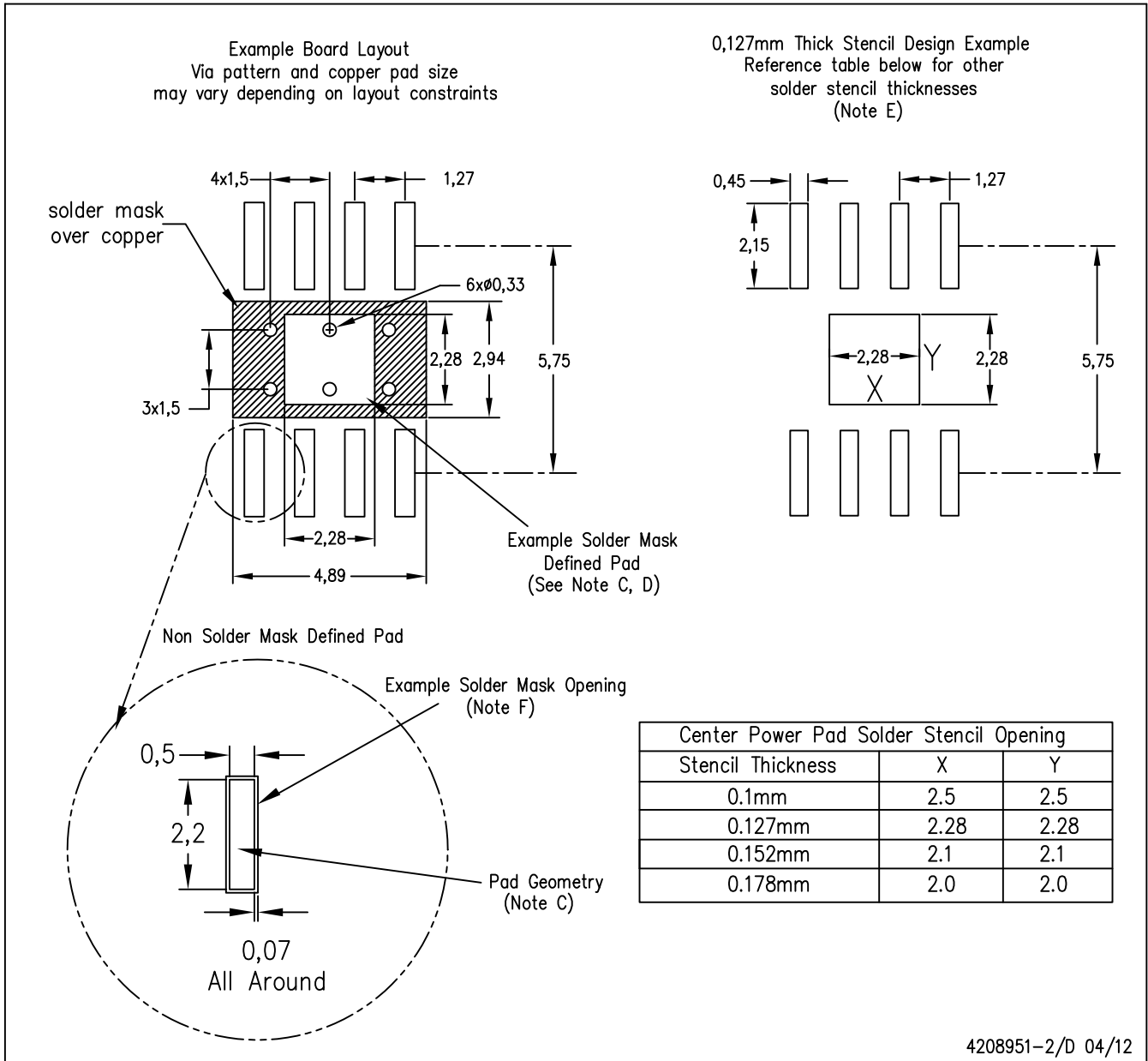


Exposed Thermal Pad Dimensions

4206322-2/L 05/12

NOTE: A. All linear dimensions are in millimeters

PowerPAD is a trademark of Texas Instruments

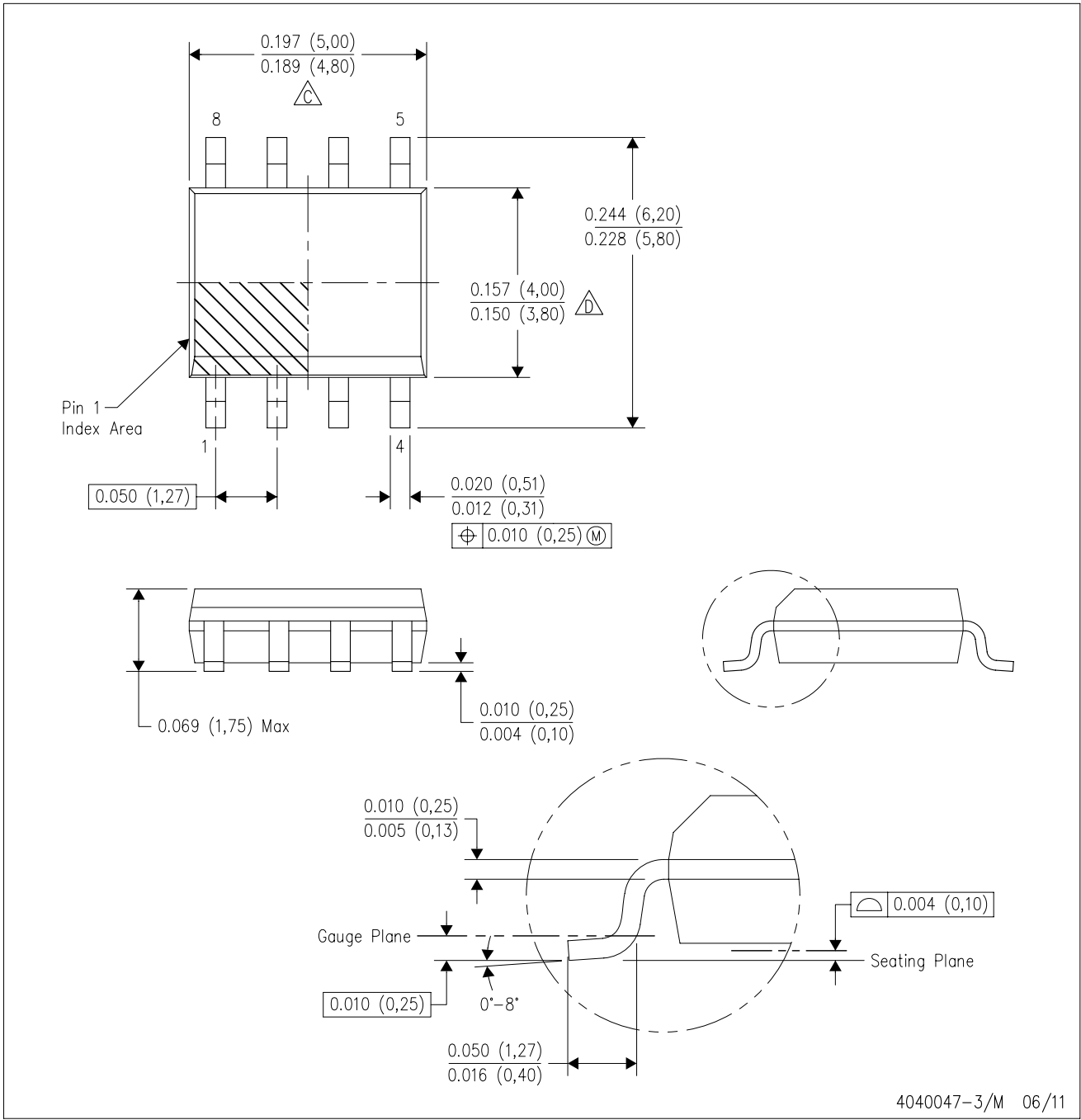


- NOTES:
- A. All linear dimensions are in millimeters.
 - B. This drawing is subject to change without notice.
 - C. Publication IPC-7351 is recommended for alternate designs.
 - D. This package is designed to be soldered to a thermal pad on the board. Refer to Technical Brief, PowerPAD Thermally Enhanced Package, Texas Instruments Literature No. SLMA002, SLMA004, and also the Product Data Sheets for specific thermal information, via requirements, and recommended board layout. These documents are available at www.ti.com <<http://www.ti.com>>. Publication IPC-7351 is recommended for alternate designs.
 - E. Laser cutting apertures with trapezoidal walls and also rounding corners will offer better paste release. Customers should contact their board assembly site for stencil design recommendations. Example stencil design based on a 50% volumetric metal load solder paste. Refer to IPC-7525 for other stencil recommendations.
 - F. Customers should contact their board fabrication site for solder mask tolerances between and around signal pads.

PowerPAD is a trademark of Texas Instruments.

D (R-PDSO-G8)

PLASTIC SMALL OUTLINE



4040047-3/M 06/11

- NOTES:
- A. All linear dimensions are in inches (millimeters).
 - B. This drawing is subject to change without notice.
 - Body length does not include mold flash, protrusions, or gate burrs. Mold flash, protrusions, or gate burrs shall not exceed 0.006 (0,15) each side.
 - Body width does not include interlead flash. Interlead flash shall not exceed 0.017 (0,43) each side.
 - E. Reference JEDEC MS-012 variation AA.

D (R-PDSO-G8)

PLASTIC SMALL OUTLINE



4211283-2/E 08/12

- NOTES:
- A. All linear dimensions are in millimeters.
 - B. This drawing is subject to change without notice.
 - C. Publication IPC-7351 is recommended for alternate designs.
 - D. Laser cutting apertures with trapezoidal walls and also rounding corners will offer better paste release. Customers should contact their board assembly site for stencil design recommendations. Refer to IPC-7525 for other stencil recommendations.
 - E. Customers should contact their board fabrication site for solder mask tolerances between and around signal pads.

IMPORTANT NOTICE

Texas Instruments Incorporated (TI) reserves the right to make corrections, enhancements, improvements and other changes to its semiconductor products and services per JESD46, latest issue, and to discontinue any product or service per JESD48, latest issue. Buyers should obtain the latest relevant information before placing orders and should verify that such information is current and complete.

TI's published terms of sale for semiconductor products (<http://www.ti.com/sc/docs/stdterms.htm>) apply to the sale of packaged integrated circuit products that TI has qualified and released to market. Additional terms may apply to the use or sale of other types of TI products and services.

Reproduction of significant portions of TI information in TI data sheets is permissible only if reproduction is without alteration and is accompanied by all associated warranties, conditions, limitations, and notices. TI is not responsible or liable for such reproduced documentation. Information of third parties may be subject to additional restrictions. Resale of TI products or services with statements different from or beyond the parameters stated by TI for that product or service voids all express and any implied warranties for the associated TI product or service and is an unfair and deceptive business practice. TI is not responsible or liable for any such statements.

Buyers and others who are developing systems that incorporate TI products (collectively, "Designers") understand and agree that Designers remain responsible for using their independent analysis, evaluation and judgment in designing their applications and that Designers have full and exclusive responsibility to assure the safety of Designers' applications and compliance of their applications (and of all TI products used in or for Designers' applications) with all applicable regulations, laws and other applicable requirements. Designer represents that, with respect to their applications, Designer has all the necessary expertise to create and implement safeguards that (1) anticipate dangerous consequences of failures, (2) monitor failures and their consequences, and (3) lessen the likelihood of failures that might cause harm and take appropriate actions. Designer agrees that prior to using or distributing any applications that include TI products, Designer will thoroughly test such applications and the functionality of such TI products as used in such applications.

TI's provision of technical, application or other design advice, quality characterization, reliability data or other services or information, including, but not limited to, reference designs and materials relating to evaluation modules, (collectively, "TI Resources") are intended to assist designers who are developing applications that incorporate TI products; by downloading, accessing or using TI Resources in any way, Designer (individually or, if Designer is acting on behalf of a company, Designer's company) agrees to use any particular TI Resource solely for this purpose and subject to the terms of this Notice.

TI's provision of TI Resources does not expand or otherwise alter TI's applicable published warranties or warranty disclaimers for TI products, and no additional obligations or liabilities arise from TI providing such TI Resources. TI reserves the right to make corrections, enhancements, improvements and other changes to its TI Resources. TI has not conducted any testing other than that specifically described in the published documentation for a particular TI Resource.

Designer is authorized to use, copy and modify any individual TI Resource only in connection with the development of applications that include the TI product(s) identified in such TI Resource. NO OTHER LICENSE, EXPRESS OR IMPLIED, BY ESTOPPEL OR OTHERWISE TO ANY OTHER TI INTELLECTUAL PROPERTY RIGHT, AND NO LICENSE TO ANY TECHNOLOGY OR INTELLECTUAL PROPERTY RIGHT OF TI OR ANY THIRD PARTY IS GRANTED HEREIN, including but not limited to any patent right, copyright, mask work right, or other intellectual property right relating to any combination, machine, or process in which TI products or services are used. Information regarding or referencing third-party products or services does not constitute a license to use such products or services, or a warranty or endorsement thereof. Use of TI Resources may require a license from a third party under the patents or other intellectual property of the third party, or a license from TI under the patents or other intellectual property of TI.

TI RESOURCES ARE PROVIDED "AS IS" AND WITH ALL FAULTS. TI DISCLAIMS ALL OTHER WARRANTIES OR REPRESENTATIONS, EXPRESS OR IMPLIED, REGARDING RESOURCES OR USE THEREOF, INCLUDING BUT NOT LIMITED TO ACCURACY OR COMPLETENESS, TITLE, ANY EPIDEMIC FAILURE WARRANTY AND ANY IMPLIED WARRANTIES OF MERCHANTABILITY, FITNESS FOR A PARTICULAR PURPOSE, AND NON-INFRINGEMENT OF ANY THIRD PARTY INTELLECTUAL PROPERTY RIGHTS. TI SHALL NOT BE LIABLE FOR AND SHALL NOT DEFEND OR INDEMNIFY DESIGNER AGAINST ANY CLAIM, INCLUDING BUT NOT LIMITED TO ANY INFRINGEMENT CLAIM THAT RELATES TO OR IS BASED ON ANY COMBINATION OF PRODUCTS EVEN IF DESCRIBED IN TI RESOURCES OR OTHERWISE. IN NO EVENT SHALL TI BE LIABLE FOR ANY ACTUAL, DIRECT, SPECIAL, COLLATERAL, INDIRECT, PUNITIVE, INCIDENTAL, CONSEQUENTIAL OR EXEMPLARY DAMAGES IN CONNECTION WITH OR ARISING OUT OF TI RESOURCES OR USE THEREOF, AND REGARDLESS OF WHETHER TI HAS BEEN ADVISED OF THE POSSIBILITY OF SUCH DAMAGES.

Unless TI has explicitly designated an individual product as meeting the requirements of a particular industry standard (e.g., ISO/TS 16949 and ISO 26262), TI is not responsible for any failure to meet such industry standard requirements.

Where TI specifically promotes products as facilitating functional safety or as compliant with industry functional safety standards, such products are intended to help enable customers to design and create their own applications that meet applicable functional safety standards and requirements. Using products in an application does not by itself establish any safety features in the application. Designers must ensure compliance with safety-related requirements and standards applicable to their applications. Designer may not use any TI products in life-critical medical equipment unless authorized officers of the parties have executed a special contract specifically governing such use. Life-critical medical equipment is medical equipment where failure of such equipment would cause serious bodily injury or death (e.g., life support, pacemakers, defibrillators, heart pumps, neurostimulators, and implantables). Such equipment includes, without limitation, all medical devices identified by the U.S. Food and Drug Administration as Class III devices and equivalent classifications outside the U.S.

TI may expressly designate certain products as completing a particular qualification (e.g., Q100, Military Grade, or Enhanced Product). Designers agree that it has the necessary expertise to select the product with the appropriate qualification designation for their applications and that proper product selection is at Designers' own risk. Designers are solely responsible for compliance with all legal and regulatory requirements in connection with such selection.

Designer will fully indemnify TI and its representatives against any damages, costs, losses, and/or liabilities arising out of Designer's non-compliance with the terms and provisions of this Notice.