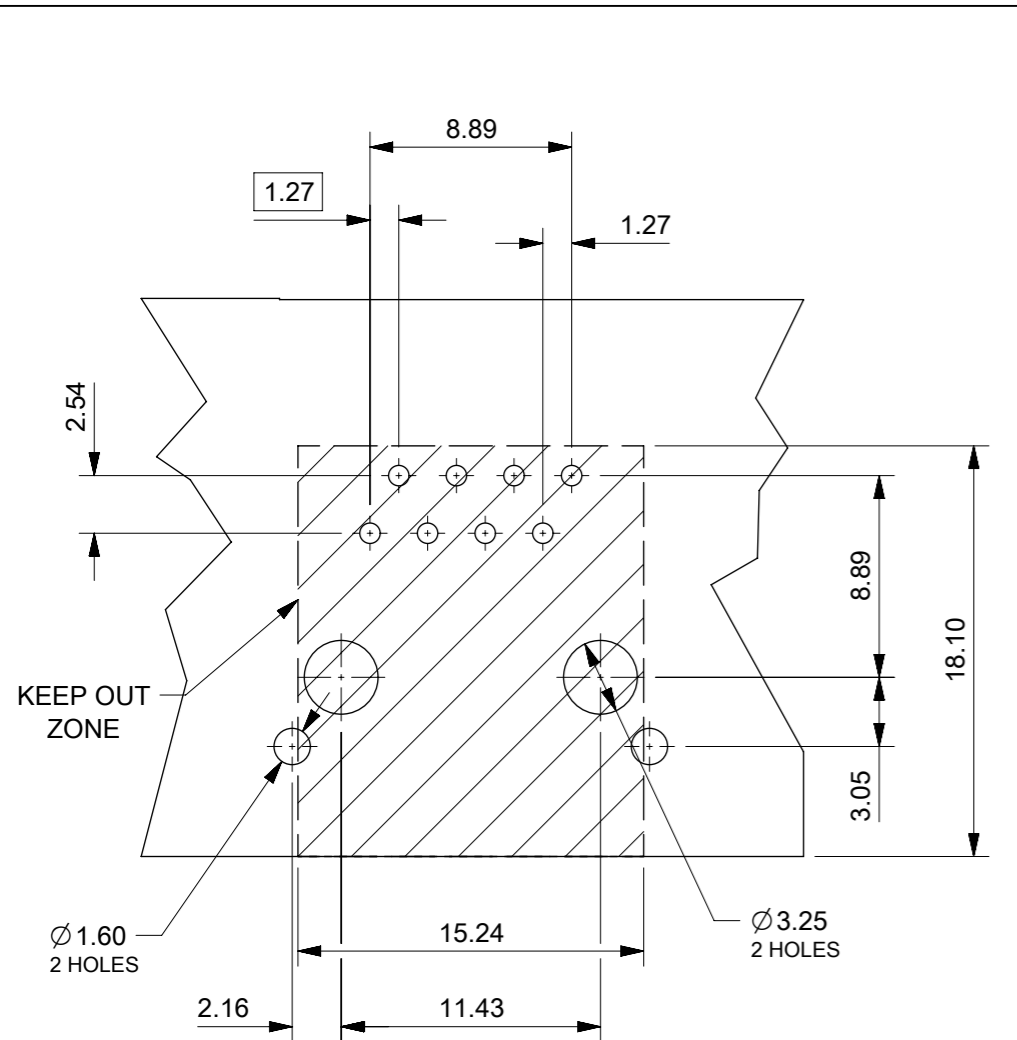
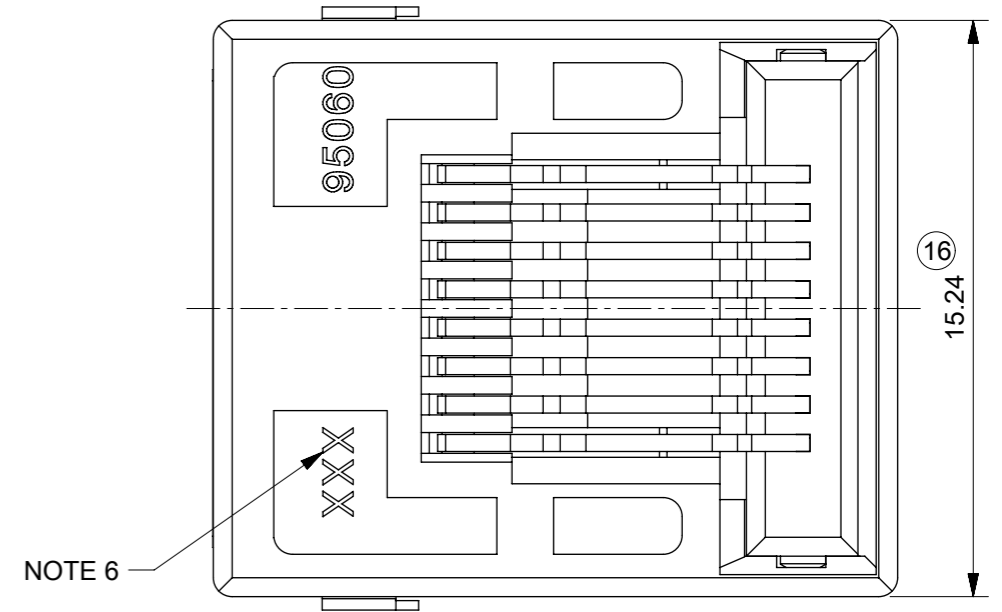


NOTES:

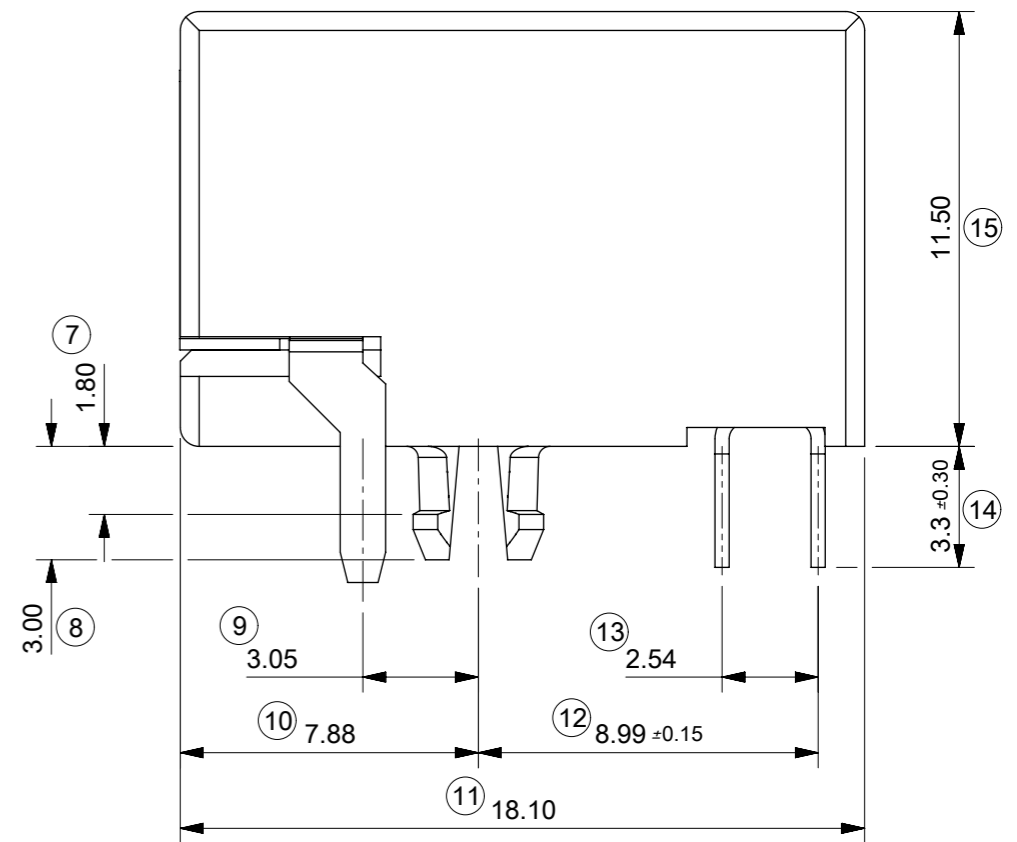
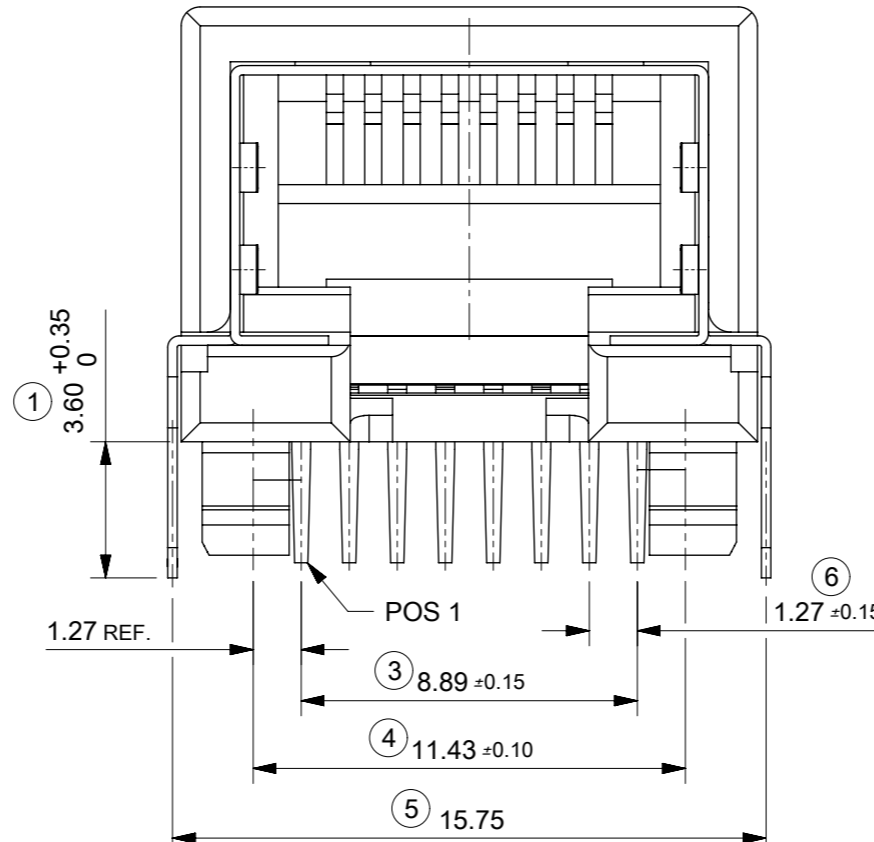
- MATERIAL:  
HOUSING: LCP GLASS FILLED UL 94-V0. COLOR: BLACK  
TERMINAL: COPPER ALLOY PLATED WITH:  
BASE FINISH: NICKEL  
CONTACT SURFACE FINISH: GOLD  
OR  
GOLD FLASH OVER PALLADIUM NICKEL  
EXCEEDS PRODUCT REQUIREMENTS BASED ON PS-95540-002  
SHIELD: COPPER ALLOY PLATED WITH TIN
- P.C. BOARD THICKNESS  $1.57 \pm 0.15$
- JACK FOR MATING WITH IEC 60603-7 AND TIA-1096-A PLUGS  
95043 MOLEX SERIES
- PRODUCT SPECIFICATION: PS-95540-002
- PACKAGING SPECIFICATION: MOLEX PK-95040
- MANUFACTURING I.D. CAN BE EITHER MXF, MG, MXI OR MXCH.

LAST INSPECTION NO.: 16  
REMOVED INSPECTION NO.: 2

PART NUMBER
95540-2881



RECOMMENDED  
P.C.B. MOUNTING PATTERNS  
VIEW FROM COMPONENT SIDE  
ALL DIMENSIONS REF DIMENSIONS

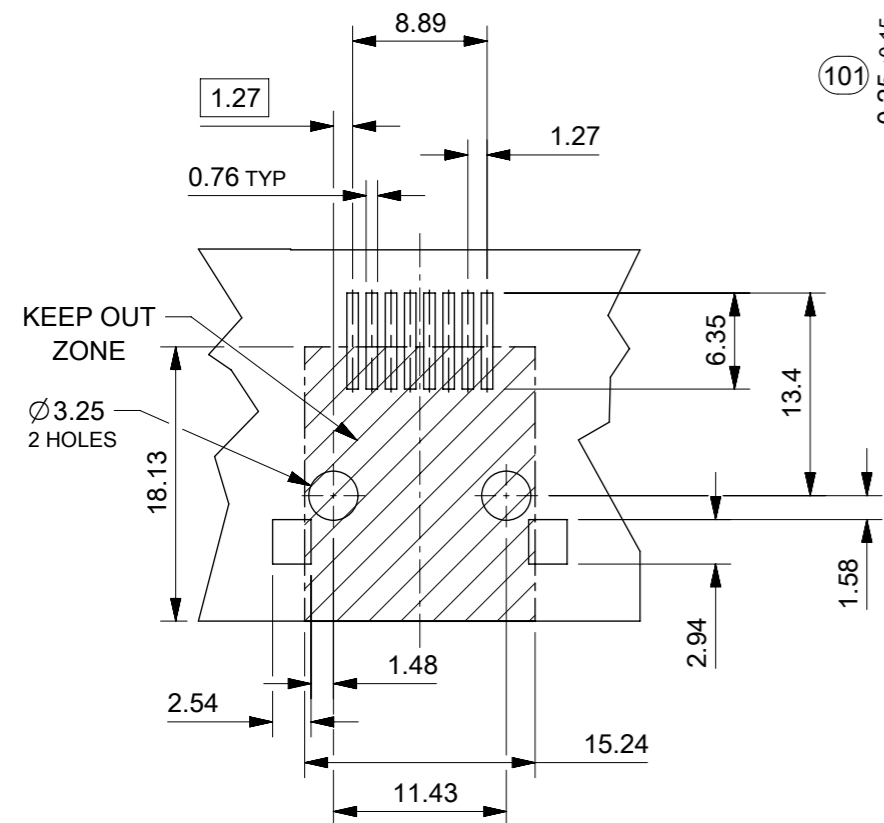


FUNCTIONAL SYMBOLS	THIS DRAWING CONTAINS INFORMATION THAT IS PROPRIETARY TO MOLEX ELECTRONIC TECHNOLOGIES, LLC AND SHOULD NOT BE USED WITHOUT WRITTEN PERMISSION		
	THIS DRAWING DIMENSION UNITS	SCALE	CURRENT REV DESC: ADD "MXCH" AS MANUFACTURING I.D. SEE NOTE 6.
$\nabla_A = 0$	mm	5:1	<p><b>molex</b></p> <p>RIGHT ANGLE LOW PROFILE SHIELDED PC JACK</p> <p>PRODUCT CUSTOMER DRAWING</p> <p>EC NO: 641518 DRWN: KREILLY CHK'D: KLANG APPR: KLANG</p> <p>INITIAL REVISION: DRWN: KNOLLER APPR: KNOLLER</p> <p>2018/01/03 2020/08/25 2020/08/25</p> <p>DOCUMENT NUMBER: SD-95540-001 DOC TYPE: PSD DOC PART: 001 REVISION: L</p> <p>DRAFT WHERE APPLICABLE MUST REMAIN WITHIN DIMENSIONS</p> <p>THIRD ANGLE PROJECTION</p> <p>DRAWING: A3-SIZE SERIES: 95540 MATERIAL NUMBER: SEE CHART CUSTOMER: GENERAL MARKET SHEET NUMBER: 1 OF 3</p>
$\nabla_E = 0$	GENERAL TOLERANCES (UNLESS SPECIFIED)		
$\nabla_{E'} = 0$	ANGULAR TOL $\pm 0.5^\circ$		
DIVISIONAL SYMBOLS	4 PLACES	$\pm$	
	3 PLACES	$\pm$	
	2 PLACES	$\pm 0.1$	
	1 PLACE	$\pm 0.15$	
	0 PLACES	$\pm$	

NOTES:

1. COPLANARITY OF LEADS: 0.10 MAX.  
COPLANARITY OF SHIELD TABS: 0.10 MAX.
2. PACKAGING SPECIFICATION: BLISTER ON REEL (SEE CHART)
3. PRODUCT SPECIFICATION: MOLEX PS-95540-002
4. KAPTON ADHESIVE FOIL: 0.125 THICK.
5. JACK FOR MATING WITH IEC 60603-7 AND TIA-1096-A PLUGS 95043 MOLEX SERIES
6. MANUFACTURING I.D. CAN BE EITHER MXF. MG, MXI OR MXCH.

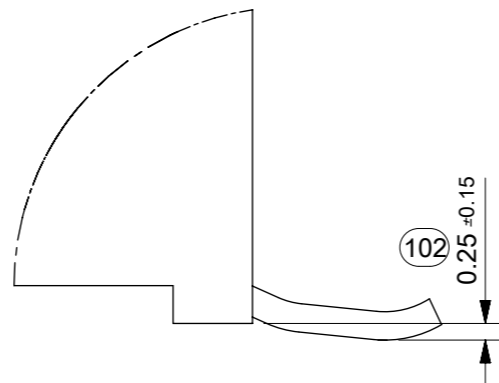
LAST INSPECTION NO.: 121  
REMOVED INSPECTION NO.: 103, 107



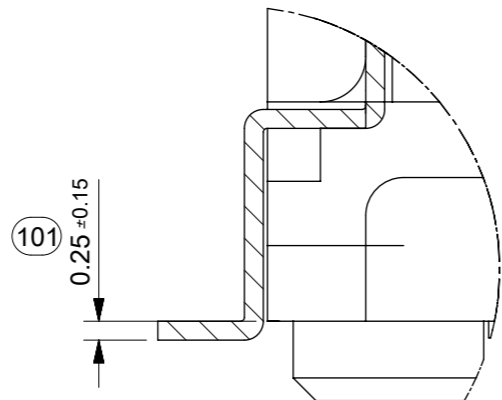
RECOMMENDED P.C.B. MOUNTING PATTERNS  
VIEW FROM COMPONENT SIDE  
ALL DIMENSIONS REF DIMENSIONS

PACKAGING		
PART NUMBER	REEL SIZE	SPECIFICATION
95540-6886	330	PK-85502-SHT 1
95540-6888	559	PK-85502-SHT 3

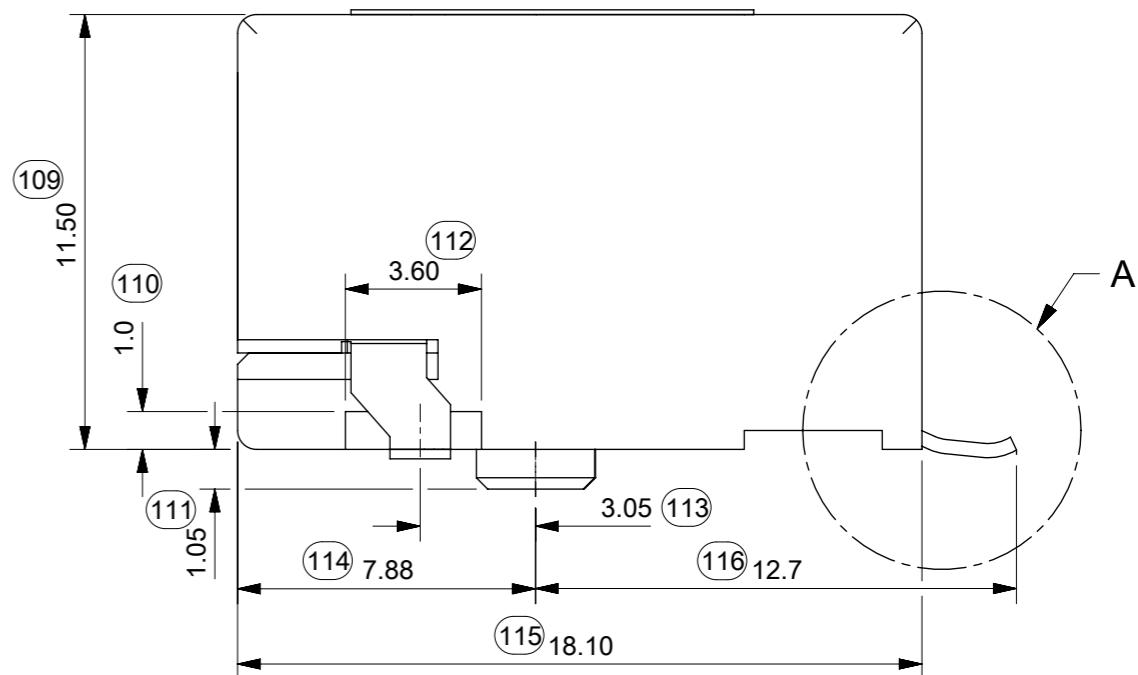
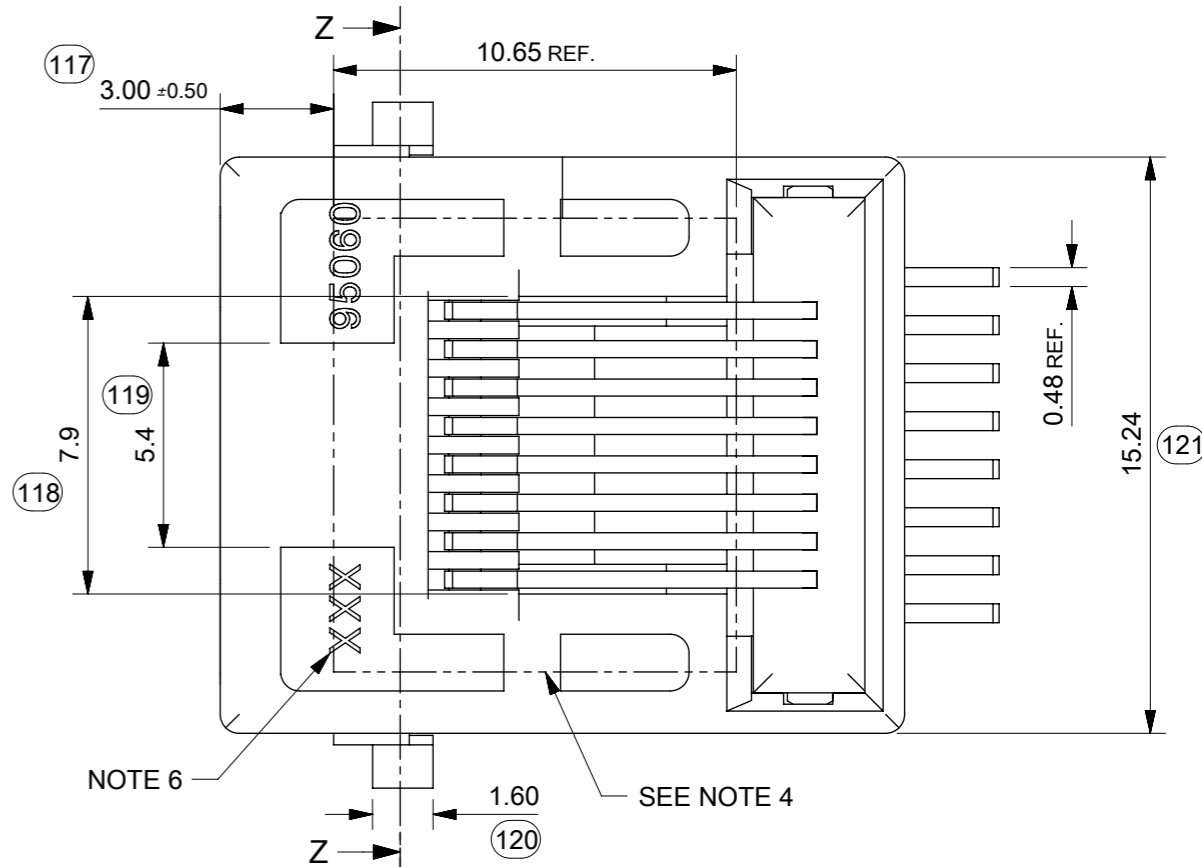
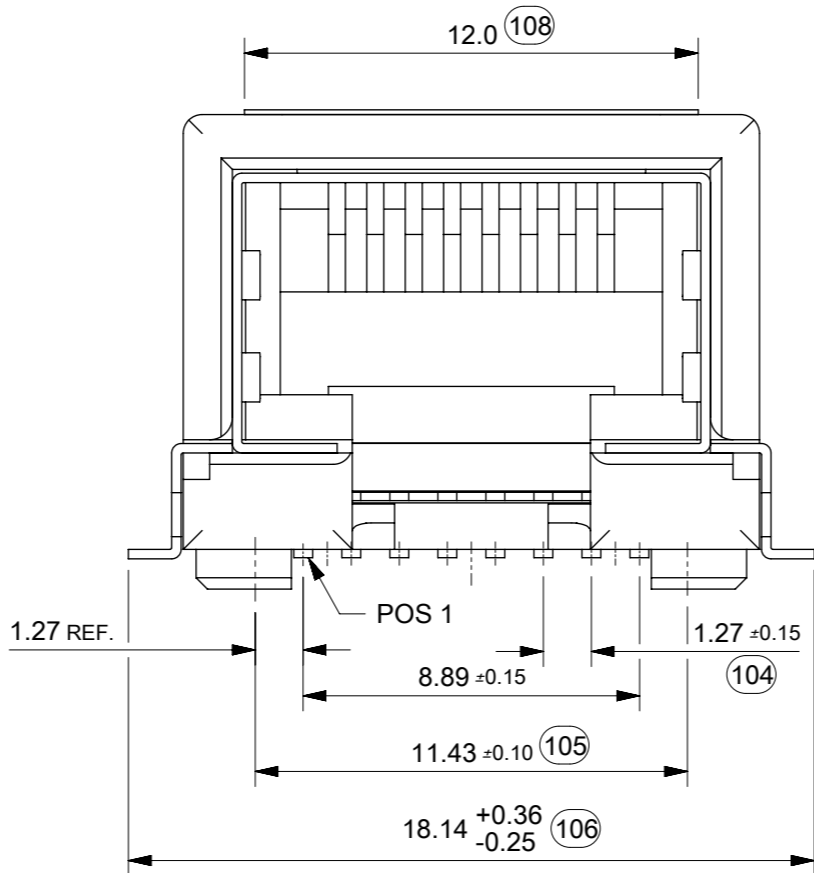
MATERIAL:  
HOUSING: LCP GLASS FILLED UL 94-V0, COLOR: BLACK  
TERMINAL: COPPER ALLOY PLATED WITH:  
BASE FINISH: NICKEL  
CONTACT SURFACE FINISH:  
GOLD  
OR  
GOLD FLASH OVER PALLADIUM NICKEL  
EXCEEDS PRODUCT REQUIREMENTS BASED ON PS-95540-002  
SHIELD: COPPER ALLOY PLATED WITH TIN



DETAIL A  
SCALE 10:1



PARTIAL Z-Z

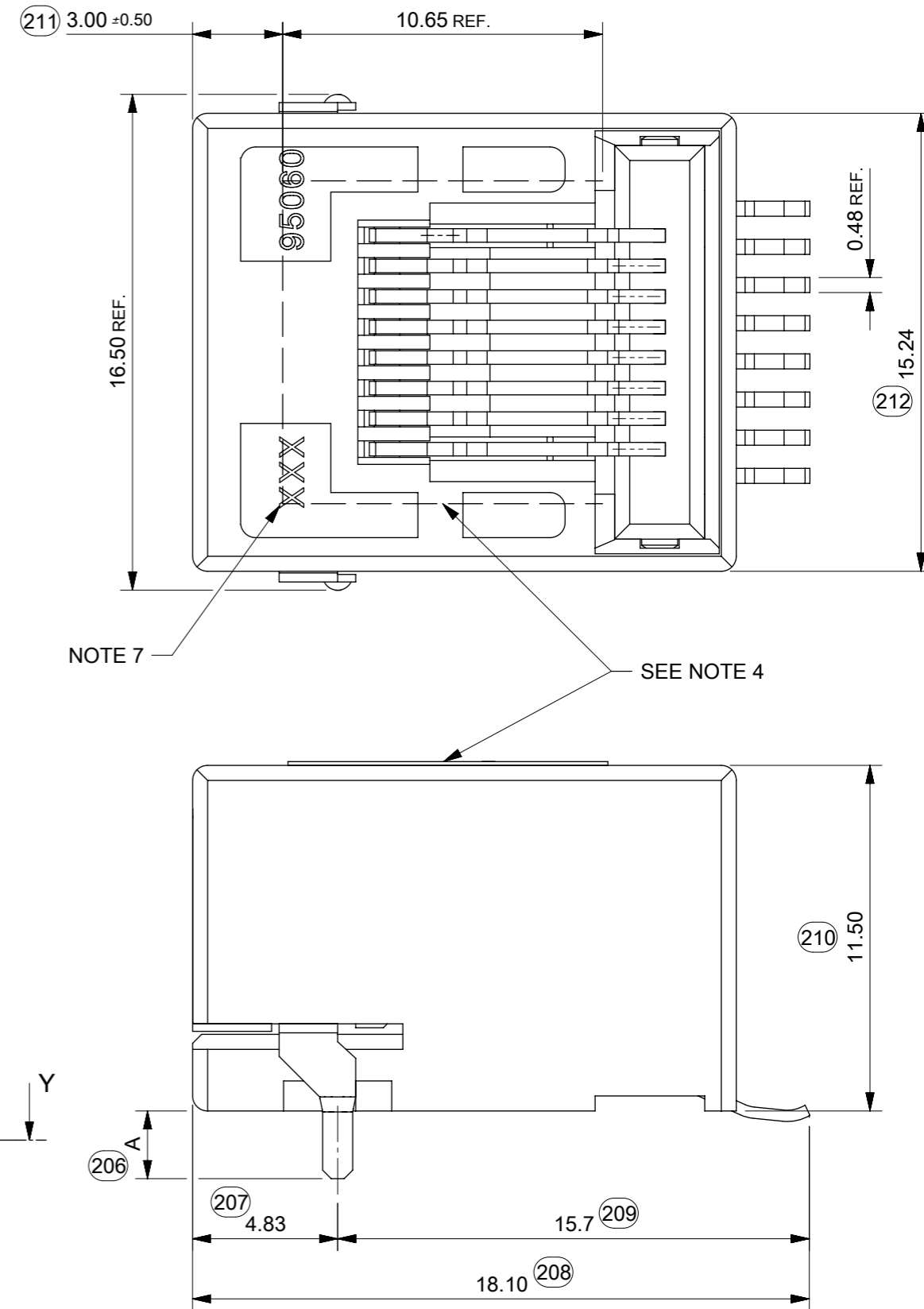
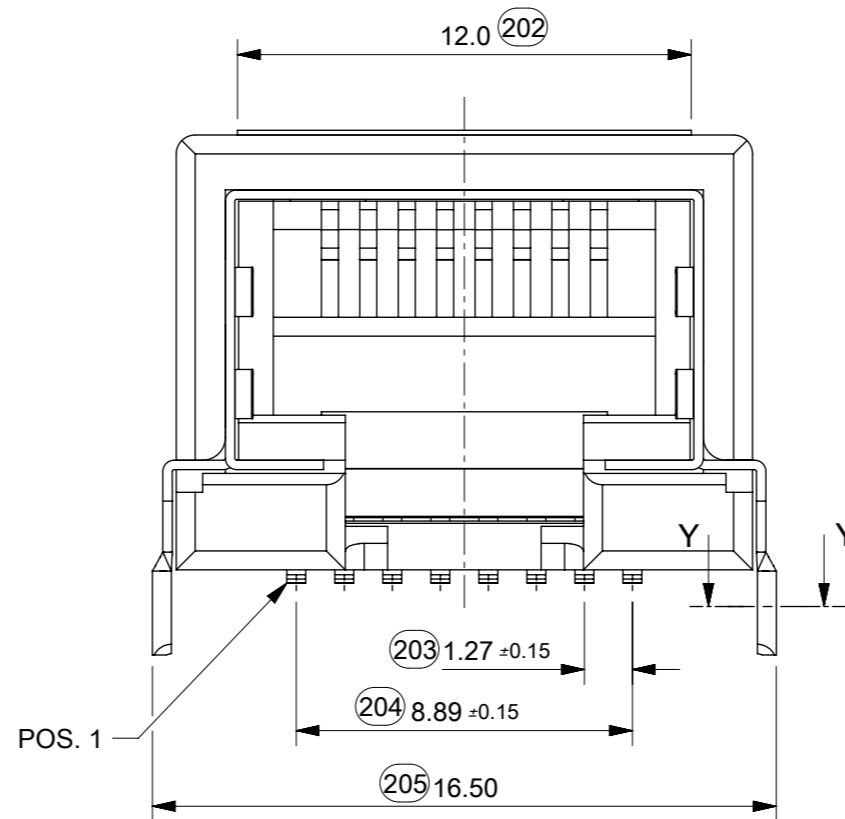
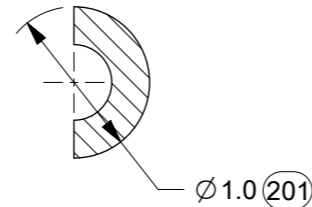
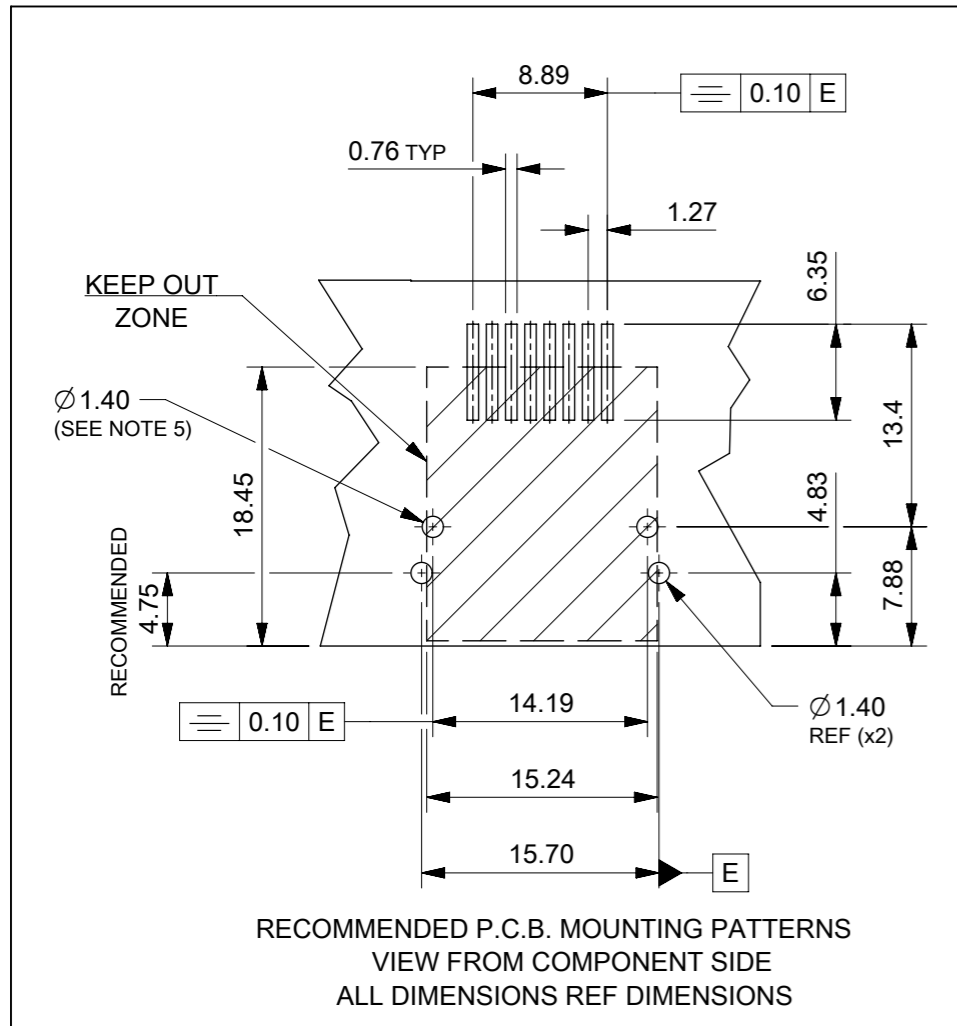


FUNCTIONAL SYMBOLS	THIS DRAWING CONTAINS INFORMATION THAT IS PROPRIETARY TO MOLEX ELECTRONIC TECHNOLOGIES, LLC AND SHOULD NOT BE USED WITHOUT WRITTEN PERMISSION			
	$\nabla_A = 0$ $\nabla_E = 0$ $\nabla_V = 0$	DIMENSION UNITS: mm SCALE: 5:1		
DIVISIONAL SYMBOLS	GENERAL TOLERANCES (UNLESS SPECIFIED)		EC NO: 641518 DRWN: KREILLY CHK'D: KLANG APPR: KLANG 2018/01/03 2020/08/25 2020/08/25	
	ANGULAR TOL ± 0.5° 4 PLACES ± 3 PLACES ± 2 PLACES ± 0.1 1 PLACE ± 0.15 0 PLACES ±		INITIAL REVISION: DRWN: KNOLLER APPR: KNOLLER 2004/06/30 2004/06/30	
DRAFT WHERE APPLICABLE MUST REMAIN WITHIN DIMENSIONS		THIRD ANGLE PROJECTION	DRAWING: A3-SIZE	SERIES: 95540
DOCUMENT STATUS: P1 RELEASE DATE: 2020/08/25 03:53:21		MATERIAL NUMBER: SEE CHART	CUSTOMER: GENERAL MARKET	SHEET NUMBER: 2 OF 3

TECHNICAL SPECIFICATIONS:  
 MATERIAL:  
 HOUSING: LCP GLASS FILLED UL 94-V0 COLOR: BLACK  
 TERMINAL: COPPER ALLOY PLATED WITH:  
 BASE FINISH: NICKEL  
 CONTACT SURFACE FINISH:  
 GOLD  
 OR  
 GOLD FLASH OVER PALLADIUM NICKEL  
 EXCEEDS PRODUCT REQUIREMENTS BASED ON PS-95540-002

SHIELD: COPPER ALLOY PLATED WITH TIN

PACKAGING			
PART NUMBER	PEG DIM A	REEL SIZE	SPEC.
95540-5880	1.34±0.10	330	PK-85502 SHET 1
95540-6880	2.25	330	PK-85502 SHET 1



- NOTES:
- JACK FOR MATING WITH IEC 60603-7 AND TIA-1096-A PLUGS, 95043 MOLEX SERIES.
  - COPLANARITY OF LEADS: 0.10 MAX.  $\nabla$
  - PACKAGING: MOLEX PK-85502 SHEET 1 (BLISTER ON REEL).
  - KAPTON ADHESIVE FOIL: 0.125 THICK.
  - OPTIONAL HOLES FOR COMPAT. WITH UNSHIELDED VERSION.
  - PRODUCT SPECIFICATION: MOLEX PS-95540-002
  - MANUFACTURING I.D. CAN BE EITHER MXF, MG, MXI OR MXCH.

LAST INSPECTION NUMBER: 212

FUNCTIONAL SYMBOLS	THIS DRAWING CONTAINS INFORMATION THAT IS PROPRIETARY TO MOLEX ELECTRONIC TECHNOLOGIES, LLC AND SHOULD NOT BE USED WITHOUT WRITTEN PERMISSION	CURRENT REV DESC: ADD "MXCH" AS MANUFACTURING I.D. SEE NOTE 6.		<b>molex</b>		
	SCALE: 5:1	GENERAL TOLERANCES (UNLESS SPECIFIED)				
DIVISIONAL SYMBOLS	ANGULAR TOL ± 0.5°	EC NO: 641518		PRODUCT CUSTOMER DRAWING		
	4 PLACES ±	DRWN: KREILLY		DOCUMENT NUMBER		
DIVISIONAL SYMBOLS	3 PLACES ±	CHK'D: KLANG		DOC TYPE DOC PART REVISION		
	2 PLACES ± 0.1	APPR: KLANG		SD-95540-001 PSD 001 L		
DIVISIONAL SYMBOLS	1 PLACE ± 0.15	INITIAL REVISION:		MATERIAL NUMBER		
	0 PLACES ±	DRWN: KNOLLER		CUSTOMER		
DIVISIONAL SYMBOLS	DRIFT WHERE APPLICABLE MUST REMAIN WITHIN DIMENSIONS	APPR: KNOLLER		SHEET NUMBER		
	THIRD ANGLE PROJECTION	DRAWING		SEE CHART		
A3-SIZE		SERIES		GENERAL MARKET		
95540		MATERIAL NUMBER		3 OF 3		