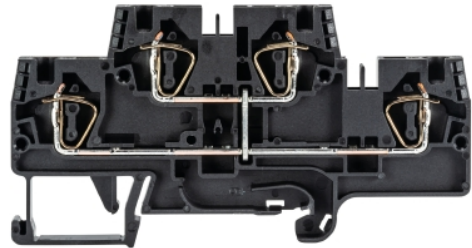


Data sheet

Commercial Art.No.: 56.704.6955.1

Multi-tier terminal WKFN 4 E/VB/35

Duo Feed-through terminal with tension spring connection for mounting on TS 35,
nominal cross section: 4 mm², width: 6 mm, color: black



Commercial Art.No.	56.704.6955.1
EAN	4015573767164
Order Unit	100

Certificates / Approvals



CAN-EX



PTB



Technical data

General

Nominal cross section	4 mm ²
Color	black
Number of levels	2
Number of clamp positions per level	2
Width/grid dimension	6 mm
Insulating housing	PA666
Inflammability class of insulation material acc. with UL94	V0
Explosion-tested version "Ex e"	yes
Mounting method	DIN rail (top hat rail) 35/7.5 mm
Terminal blocks for electrical installations	yes

Technical data

Rated current	32 A
Rated voltage	500 V
Rated impulse voltage	6 kV
Pollution degree	3
Closing plate required	yes
Type of insulation material	Thermoplastic
Length	90.1 mm

Connection Data

Connection type 1	spring clamp connection
Connection type 2	spring clamp connection
Minimum cross section solid	0.13 mm ²
Maximum cross section solid	6 mm ²
Minimum cross section fine stranded	0.13 mm ²
Maximum cross section fine stranded	4 mm ²
Wire strip length	11 mm

Technical Data UL/CSA

Cross section UL	24-10 AWG
Voltage UL	600 V
Current factory wiring	30 A
Current field wiring	30 A
Cross section CSA	24-10 AWG
Voltage CSA	300 V
Current CSA	32 A

Note

Remark to rated voltage	UL 300V/600V
-------------------------	--------------

Classification

ECLASS 11	
ECLASS 8.1	27141120
ETIM 7.0	EC000897
ETIM 6.0	EC000897
ETIM 5.0	EC000897
ETIM 4.0	EC000897
ETIM 3.0	EC000897

Product compliance

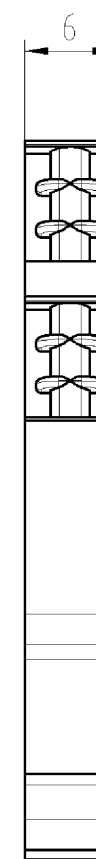
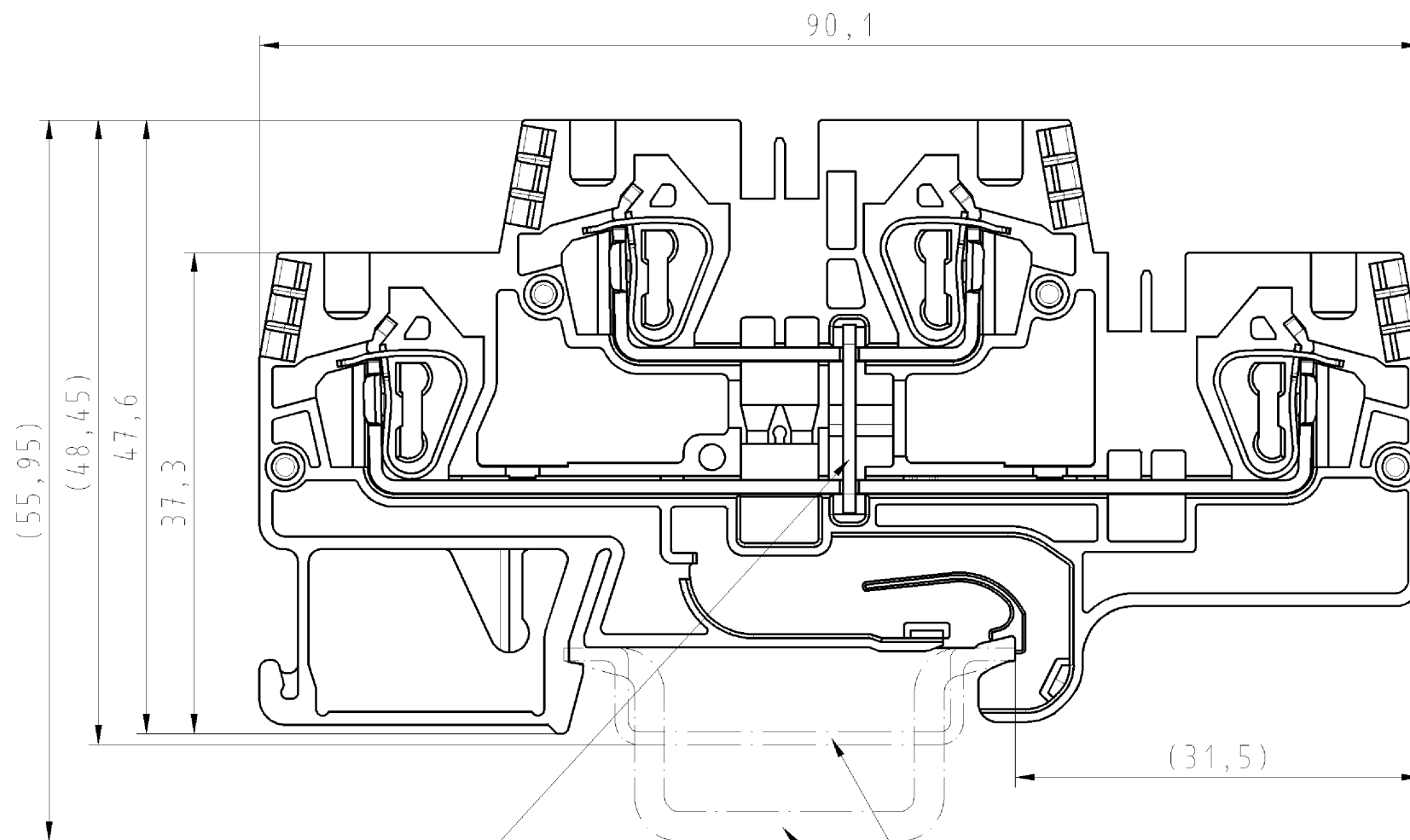
ROHS conformity status	Compliant
REACH-SVHC conformity status	Compliant

Accessories

Commercial Art.No.:	Article-type description:	Description:
Z7.261.1227.0	Jumper bar IVB WKF 4 - 2	Cross connector, insulated for DIN rail terminal blocks type WKF..., 2 - pole
Z7.261.1327.0	Jumper bar IVB WKF 4 - 3	Cross connector, insulated for DIN rail terminal blocks type WKF..., 3 - pole
Z7.261.1427.0	Jumper bar IVB WKF 4 - 4	Cross connector, insulated for DIN rail terminal blocks type WKF..., 4 - pole
Z7.261.1527.0	Jumper bar IVB WKF 4 - 5	Cross connector, insulated for DIN rail terminal blocks type WKF..., 5 - pole
Z7.261.1627.0	Jumper bar IVB WKF 4 - 6	Cross connector, insulated for DIN rail terminal blocks type WKF..., 6 - pole
Z7.261.1727.0	Jumper bar IVB WKF 4 - 7	Cross connector, insulated for DIN rail terminal blocks type WKF..., 7 - pole
Z7.261.1827.0	Jumper bar IVB WKF 4 - 8	Cross connector, insulated for DIN rail terminal blocks type WKF..., 8 - pole
Z7.261.1927.0	Jumper bar IVB WKF 4 - 9	Cross connector, insulated for DIN rail terminal blocks type WKF..., 9 - pole
Z7.261.2027.0	Jumper bar IVB WKF 4 - 10	Cross connector, insulated for DIN rail terminal blocks type WKF..., 10 - pole
98.300.0000.0	Mounting rail TS 35x7,5 UNPERF - l:2000mm	Mounting rail TS 35, unslotted, size 7,5 mm, length 2 m, material steel. galv. zinc-plated and dichromated
98.300.1000.0	Mounting rail TS 35x7,5 PERF 15mm - l:2000mm	Mounting rail TS 35, slotted, size 7,5 mm, length 2 m, material steel. galv. zinc-plated and dichromated

98.300.1900.0	Mounting rail TS 35x7,5 PERF 25mm - l:2000mm	Mounting rail TS 35, slotted, size 7,5 mm, length 2 m, material steel. galv. zinc-plated and dichromated
98.360.0000.0	Mounting rail TS 35x15-2,3 UNPERF - l:2000mm	Mounting rail TS 35, unslotted, size 15 mm, length 2 m, material steel. galv. zinc-plated and dichromated
98.360.0004.0	Mounting rail TS 35x15-2,3 UNPERF FZN - l:2000mm	Mounting rail TS 35, unslotted, size 15 mm, length 2 m, material steel, hot galvanized
98.370.0000.0	Mounting rail TS 35x15 UNPERF - l:2000mm	Mounting rail TS 35, unslotted, size 15 mm, length 2 m, material steel. galv. zinc-plated and dichromated
98.370.1000.0	Mounting rail TS 35x15 PERF 15mm - l:2000mm	Mounting rail TS 35, slotted, size 15 mm, length 2 m, material steel. galv. zinc-plated and dichromated
98.380.0000.0	Mounting rail TS 35x15-2,3 UNPERF CU - l:2000mm	Mounting rail TS 35, unslotted, size 15 mm, length 2 m, material E copper
07.312.9655.0	End plate APFN 4 E/35	End plate for DIN rail terminal blocks type WKFN 4 E..., color: grey
07.312.9655.7	End plate APFN 4 E/35 GRUEN	End plate for DIN rail terminal blocks type WKFN 4 E..., color: green
07.312.9755.0	Partition TWFN 4 E/35	Partition for DIN rail terminal blocks type WKFN 4 E..., color: grey
98.300.1800.0	Mounting rail TS 35x7,5 PERF 18mm - l:2000mm	Mounting rail TS 35, slotted, size 7,5 mm, length 2 m, material steel. galv. zinc-plated and dichromated

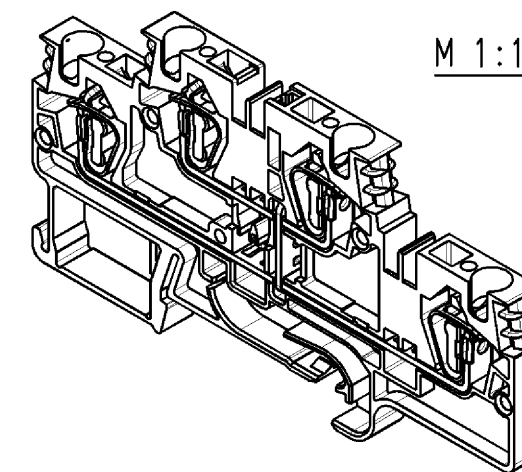
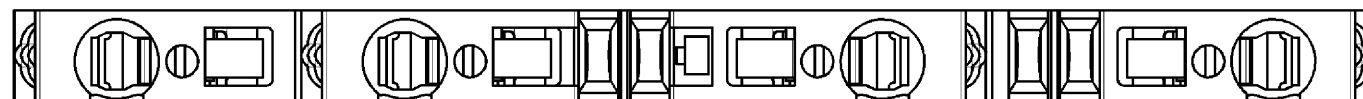
Diese Maße werden bei Abnahme besonders geprüft
 Ausschließlich Prüfmaße
 Mitz./E-Merkmalmaße sind nur für interne Zwecke gültig



vertikale Verbindung
 vertical connection

Hutschiene EN60715-35x7,5
 mounting rail EN60715-35x7,5

Hutschiene EN60715-35x15
 mounting rail EN60715-35x15



Weitere Daten siehe Katalog
 further data see catalog

Freitoleranz nach		CAD - Zeichnung, keine manuellen Änderungen			1. Verwendung: -		Bl.: 1 von 1	
	/	Maßstab	Werkstoff und Oberfläche:		2004	Tag	Name	
	/		Farbe: schwarz		Entworfen	12.03.	Bauer F.	
	/		colour: black		Geprüft	-	-	
	/	Vol.	mm ³	Dfl.	mm ²	Normgepr.	-	-
Buchstabe		Datum / Blatt		Benennung		Zeichnung Nr.		
Änderung				wieland Elektrische Verbindungen		Typ WKFN 4 E/VB/35		56.704.6955.1 01K
				ETAGENKLEMME fosis Pro Federkraftausführung 4mm ² double deck terminal with spring clamp connection		Ersatz für: -		Index

Weitergabe sowie Vervielfältigung dieses Dokuments, Verwertung und Mitteilung seines Inhalts sind verboten, soweit nicht ausdrücklich gestattet. The reproduction, distribution and utilization of this document as well as the communication of its contents to others without express authorization is prohibited.

567046955101K_4_CAD/020 Bauer 2004-03-15T14:16:55 1.000