

## Data sheet

Commercial Art.No.: 92.258.1060.2

Cable assembly GST18i5KSBS 25H 10WS

GST18i5 connection cable female - male, length 1.0 m, 5 pole, coding mains 250 V/ 400 V, 20 A, coding color white, strain relief color white, cable color white, cross section 2.5 mm<sup>2</sup>, cable type H05Z1Z1-F, fire class: Eca



Commercial Art.No.	92.258.1060.2
EAN	4015573703209
Order Unit	1

Certificates / Approvals



## Technical data

### General

Rated current	20 A
Rated voltage	250 V / 400 V
Rated impulse voltage	4 kV
Pollution degree	2
Mechanical coding	Code 1
Lockable	self-locking (unlocking by tool)
Color of coding/ contact carrier	white
Marking of poles	3, N, PE, 2, 1
Color of housing inclusive strain relief	white

### Model

Nominal cross section conductor	2.5 mm <sup>2</sup>
Degree of protection (IP)	IP20
Cable type	H05Z1Z1-F
Cable color	white
Cable diameter max.	12.1 mm
Version of cable	female - male
Type of cord set	connecting cable
Version cable end 1	GST18i5 female
Version cable end 2	GST18i5 plug

### Material

Surface finish	Tin-plated
----------------	------------

halogen free	yes
Continuous temperature of cable	70 °C
Insulation components continuous temperature	100 °C
Fire load	1.009 kWh
Fire class	Eca

#### Dimensions

Total length	1 m
--------------	-----

#### Classification

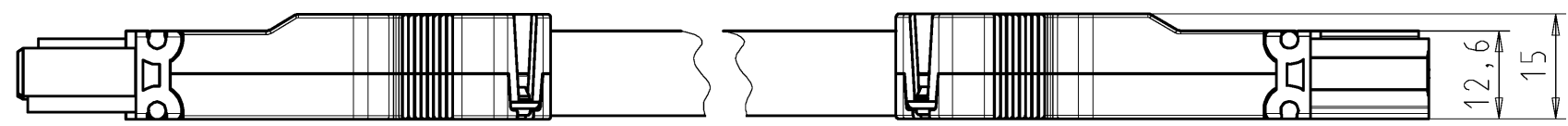
ECLASS 11	
ECLASS 8.1	27440604
ETIM 7.0	EC002587
ETIM 6.0	EC002587
ETIM 5.0	EC002587
ETIM 4.0	EC002587

#### Product compliance

ROHS conformity status	Compliant/Exempted
ROHS exceptions	III-6(c)
REACH-SVHC conformity status	Duty-To-Declare
REACH-SVHC substances	Lead
REACH-SVHC CAS numbers	7439-92-1

#### Accessories

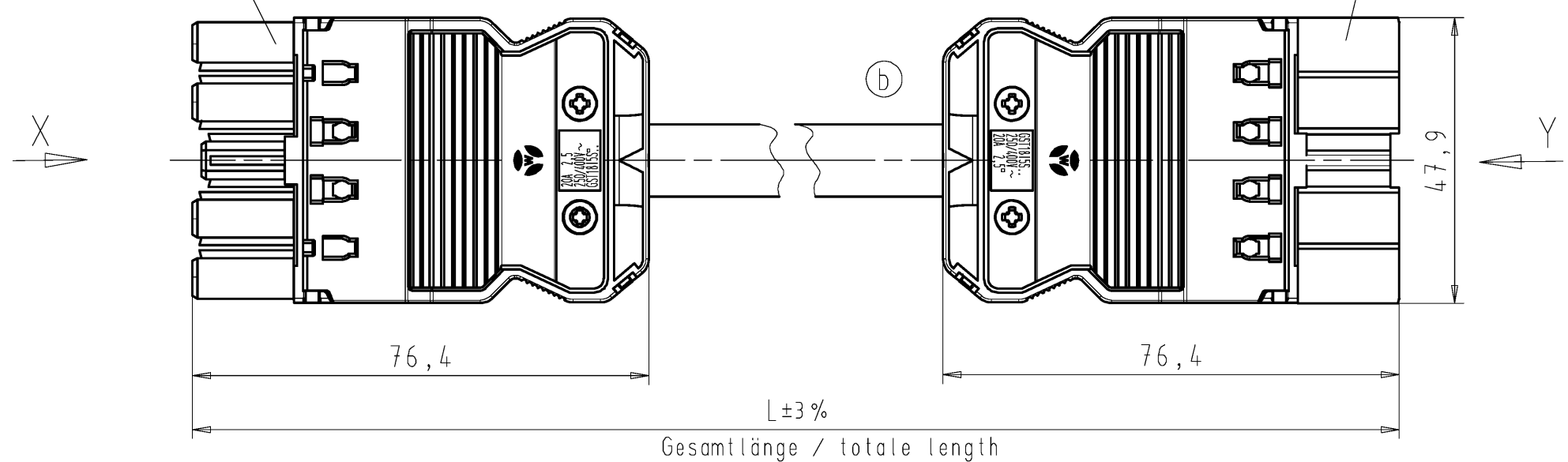
Commercial Art.No.:	Article-type description:	Description:
05.587.3156.0	Lock (G)ST18 WS	Locking device for cable to cable connection GST18i3-5, white
05.564.5353.0	cover cap GST18i3/4/5 SW	Cover piece 12 pole black for female parts GST18i3-6
05.564.5353.2	cover cap GST18i3/4/5 WS	Cover piece 12 pole white for female parts GST18i3-6
05.566.9253.0	cover cap GST18i5 BUCHSEN	Cover for female connectors GST18i5, black
05.587.3156.1	Lock (G)ST18 SW	Locking device for cable to cable connection GST18i3-5, black



Buchenteil/female connector

Steckerteil/male connector

Kabel/cable H05Z1Z1-F 5G2,5 halogenfrei/halogen-free  
Farbe/colour: siehe Tabelle/see table



Pol/pole	Aderfarben/colour of core
1	braun/brown
2	schwarz/black
3	grau/grey
N	blau/blue
⊕	grün-gelb/green-yellow

.F	Farbe colour	Codierung "X" Buchse female	Codierung "Y" Stecker male	Kabelfarbe cable colour
.1	schwarz black	3 N PE 2 1 	1 2 PE N 3 	schwarz black
.2	weiß white			weiß white
.3	grau grey	3 N PE 2 1 	1 2 PE N 3 	schwarz black

Weitere Daten siehe Katalog  
further data see catalog

Teile-Nr. part-no.	L	Beispiel (Farbe: schwarz) example (colour: black)	Typ type
92.258.XX60.F	XX in dm-Schritten	92.258.1060.1 = 10dm/L= 1000mm	GST1815KSBS 25H 10SW
U2.258.XX60.F	XX in m-Schritten	U2.258.1260.1 = 12 m/L=12000mm	GST1815KSBS 25H X12SW

Tolerierung Size ISO 14405 (E)/Tolerance system Size ISO 14405 (E).  
(This ISO-standard describes the envelope principle. According to the envelope principle the deviations of form and parallelism are limited by the size tolerances).

ja/yes  Stoffverbots- und Deklarationsliste nach UU-TQM-05/03 ist einzuhalten.  
Conformity with Wieland document UU-TQM-05/03 (list of prohibited / declarable hazardous substances) to be declared!

Freitoleranz nach DIN ISO 2768 - m  
General tolerance

CAD - Zeichnung, keine manuellen Änderungen  
CAD - drawing, no manual modifications allowed

1. Verwendung: -  
First Use:

Blatt: 1 von 1  
Sheet: of

Werkstoff/Material	2006	Tag/Date	Name	Zeichnung Nr./Drawing No.	Index
gezeichnet/drawn	06.09.	Dütsch T.	T		
geprüft/checked	-	-	-		
Normgepr. Stand. check	-	-	-		

Maße in mm/Dimensions are in mm

c	08.10.2014/	Vol.	mm <sup>3</sup> Ofl./Surf.	mm <sup>3</sup>	Ersatz für/Replacement for: -
b	25.10.2012/				
a	04.05.2010/				
Index	Datum / Blatt Date / Sheet				
Änderung/Revision					

**wieland**  
Elektrische Verbindungen

Type: **GST1815**  
KSBS 25H..  
SW/WS/GR03

Benennung/Title: **INSTALL. COUPLER KONFEKT\_LEITUNG**  
BU/female-ST/male, Schraubanschl./screw connection  
250/400V AC, 20A, 2,5qmm

These dimensions will be especially checked at delivery  
Only inspection dimensions  
With /E marked dimensions are only valid for internal use

Diese Maße werden bei Abnahme besonders geprüft  
Ausschließlich Prüfmaße  
Mit /E gekennzeichnete Maße sind nur für interne Zwecke gültig

Weitergabe sowie Vervielfältigung dieses Dokuments, Verwertung und Mitteilung seines Inhalts sind verboten, soweit nicht ausdrücklich gestattet.  
The reproduction, distribution and utilization of this document as well as the communication of its contents to others without express authorization is prohibited.