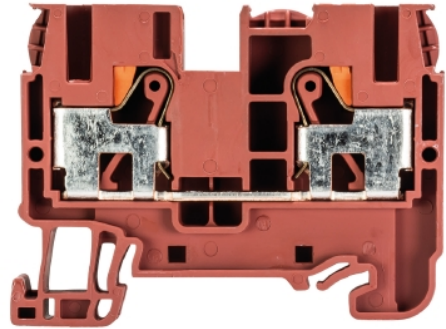


## Data sheet

Commercial Art.No.: 56.206.0055.4

Feed-through terminal WTP 6/10 OXIDE RED

Feed-through terminal with push in connection for mounting on TS 35, nominal cross section: 10 mm<sup>2</sup>, width: 8 mm, color: oxide red



|                    |               |
|--------------------|---------------|
| Commercial Art.No. | 56.206.0055.4 |
| EAN                | 4049088260704 |
| Order Unit         | 100           |

Certificates / Approvals



## Technical data

### General

|  |       |
|--|-------|
| Insulating housing   | PA666 |
| Inflammability class of insulation material acc. with UL94 | V0    |

### Classification

|            |          |
|------------|----------|
| ECLASS 11  |          |
| ECLASS 8.1 | 27141120 |
| ETIM 7.0   | EC000897 |
| ETIM 6.0   | EC000897 |
| ETIM 5.0   | EC000897 |
| ETIM 4.0   | EC000897 |

### Product compliance

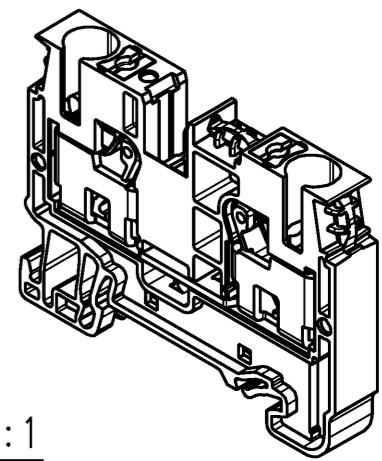
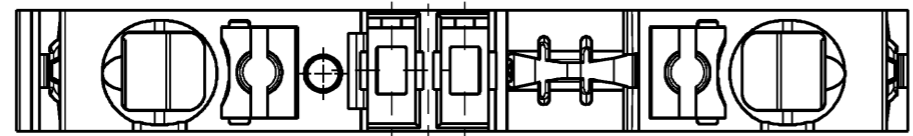
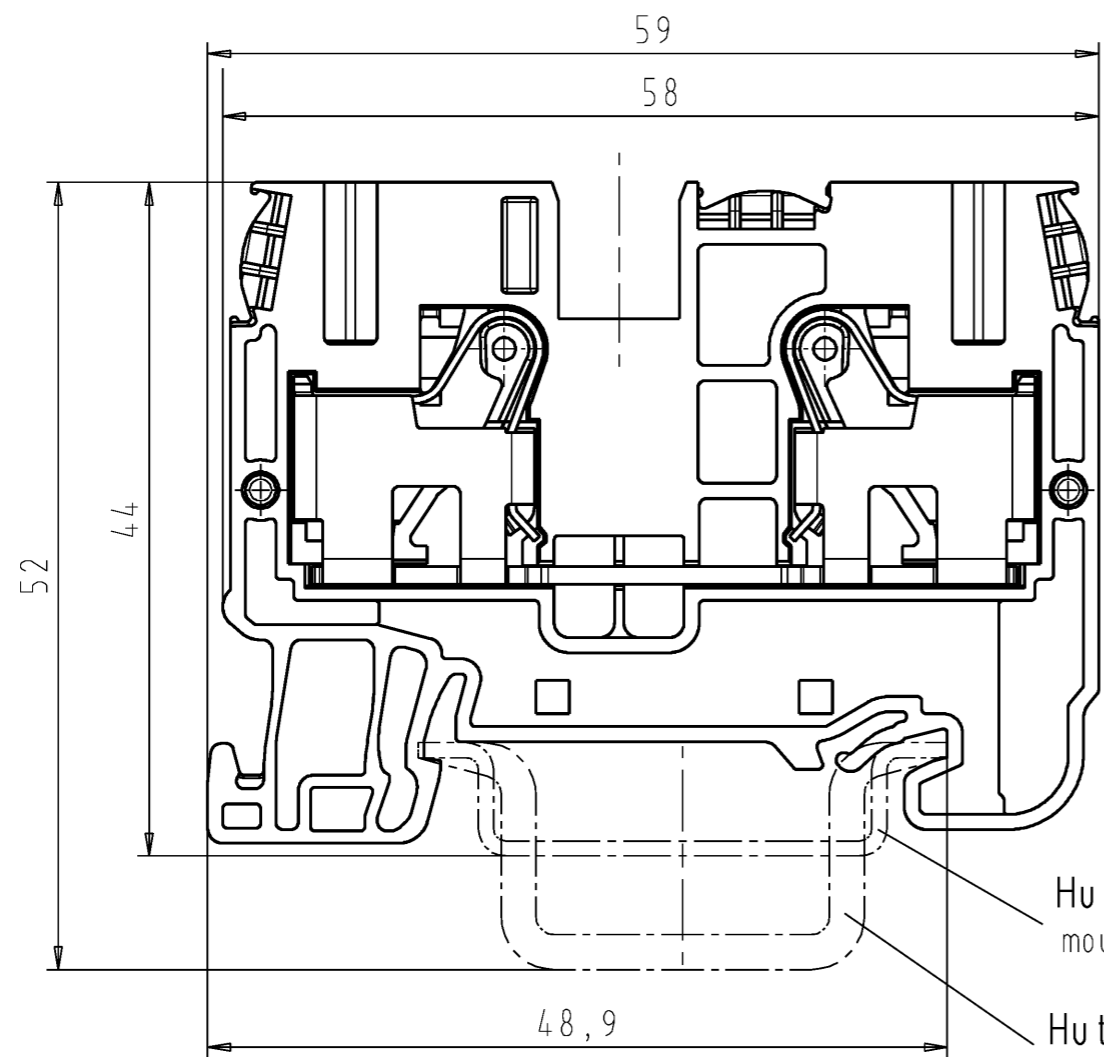
|                              |           |
|------------------------------|-----------|
| ROHS conformity status       | Compliant |
| REACH-SVHC conformity status | Compliant |

A These dimensions will be especially checked at delivery  
 Only inspection dimensions  
 With JE marked dimensions are only valid for internal use

B

C Diese Maße werden bei Abnahme besonders geprüft  
 Ausschließlich Prüfmaße  
 Mit JE gekennzeichnete Maße sind nur für interne Zwecke gültig

D



M 1:1  
 scale 1:1

| Teile - Nr.<br>part - no. | Farbe<br>colour      | Typ<br>type        |
|---------------------------|----------------------|--------------------|
| 56.206.0055.0             | grau<br>grey         | WTP 6/10           |
| 56.206.0055.1             | schwarz<br>black     | WTP 6/10 BLACK     |
| 56.206.0055.2             | weiß<br>white        | WTP 6/10 WHITE     |
| 56.206.0055.4             | oxitrot<br>oxide red | WTP 6/10 OXIDE RED |
| 56.206.0055.5             | rot<br>red           | WTP 6/10 RED       |
| 56.206.0055.6             | blau<br>blue         | WTP 6/10 BLUE      |
| 56.206.0055.7             | grün<br>green        | WTP 6/10 GREEN     |
| 56.206.0055.8             | gelb<br>yellow       | WTP 6/10 YELLOW    |
| 56.206.0055.9             | orange<br>orange     | WTP 6/10 ORANGE    |

|   |  |   |                              |
|---|--|---|------------------------------|
| Tolerierung Size ISO 14405 (E) / Tolerance system Size ISO 14405 (E).<br>(This ISO-standard describes the envelope principle. According to the envelope principle the deviations of form and parallelism are limited by the size tolerances). |  | ja/yes <input checked="" type="checkbox"/> Stoffverbots- und Deklarationsliste nach WN 5020.010 ist einzuhalten.<br>Conformity with Wieland document WN 5020.010 e (list of prohibited / declarable hazardous substances) to be declared! |                              |
| Freitoleranz nach General tolerance   |  | CAD - Zeichnung, keine manuellen Änderungen<br>CAD - drawing, no manual modifications allowed   | 1. Verwendung:<br>First Use: |
| Blatt: 1 von 1<br>Sheet: 1 of 1   |  | Zeichnung Nr. / Drawing No.   |                              |
| Werkstoff / Material  |  | Tag/Date  | Name                         |
| Maßstab / Scale   |  | gezeichnet<br>drawn   | 22.01.2013 Eller             |
| 2:1   |  | geprüft<br>checked  |                              |
| Vol. mm <sup>3</sup> / Srf. mm <sup>2</sup>   |  | Normgepr.<br>Stand. check   |                              |
| Ersatz für / Replacement for:   |  | Maße in mm / Dimensions are in mm   |                              |
| b 09.11.2016 /  |  | Type  |                              |
| a 20.03.2014 /  |  | Benennung/Title   |                              |
| Index Datum / Blatt<br>Date / Sheet   |  | siehe<br>Tabelle<br>see table   |                              |
| Änderung / Revision   |  | FEED_THROUGH_TB<br>Durchgangsklemme<br>Push In Terminal   |                              |

Weitergabe sowie Vervielfältigung dieses Dokuments, Verwertung und Mitteilung  
 seines Inhalts sind verboten, soweit nicht ausdrücklich gestattet.  
 The reproduction, distribution and utilization of this document as well as the  
 communication of its contents to others without express authorization is prohibited.