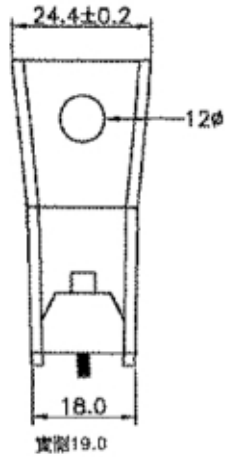
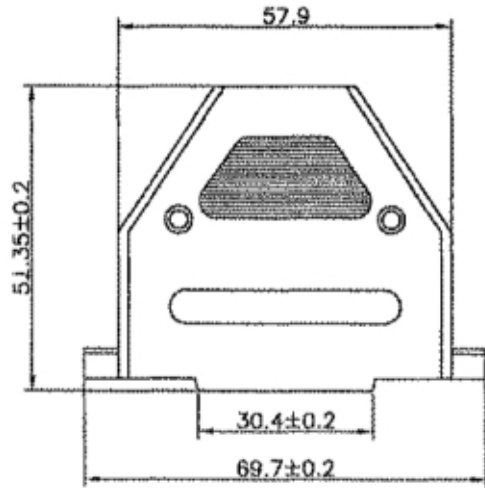


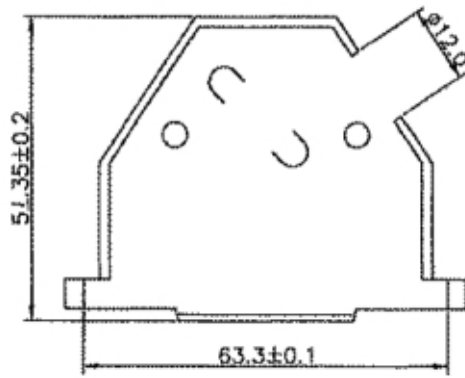
SERIES D--SUB MINIATURE ACCESSORIES
 37P, LONG SCREW
 HOOD MATERIAL: CRS/POLYESTER
 FINISH: A> HOOD - CHROME PLATED
 B> SCREW NUT & CLIP AND OTHER, NICKEL PLATED



LEADFREE

TOLERANCES ARE

- .X ± 0.2
- .XX ± 0.1
- .XXX ±
- AWG



NOTE: GENERAL TOLERANCE; ±0.2mm

