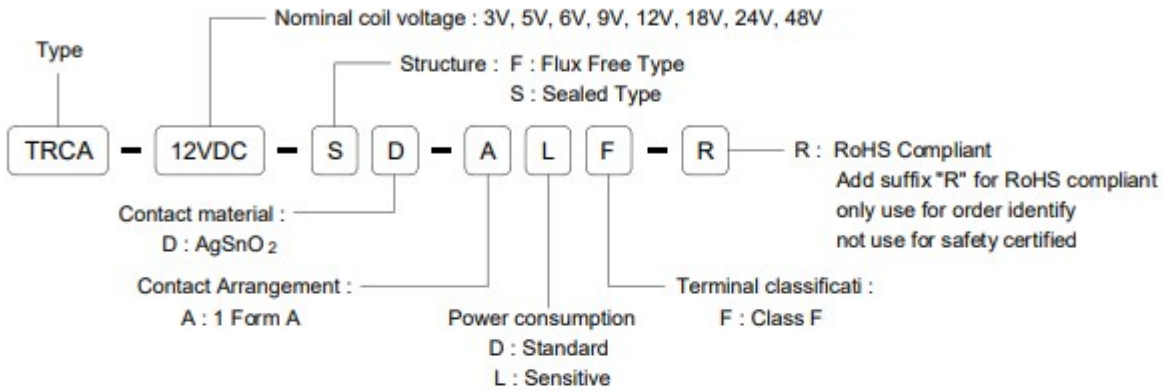




# TRCA

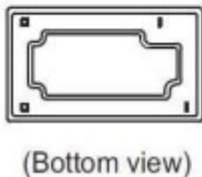
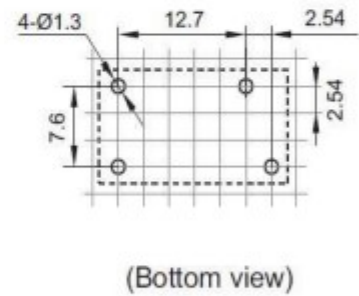
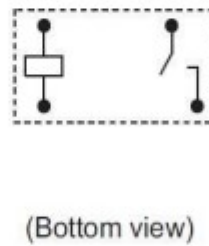
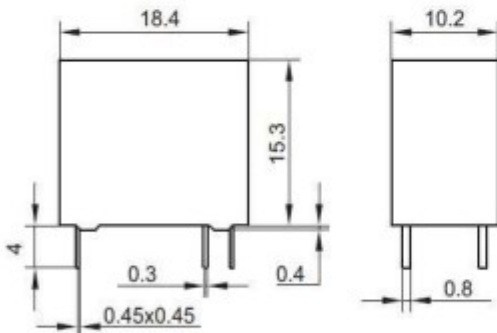
## ORDERING INFORMATION



## DIMENSION (unit:mm)

## DRILLING (unit:mm)

## WIRING DIAGRAM



Remark: 1. In case of no tolerance shown in dimension:  $\pm 0.5\text{mm}$ .  
2. The tolerance without indicating for DRILLING is always  $\pm 0.1\text{mm}$ .