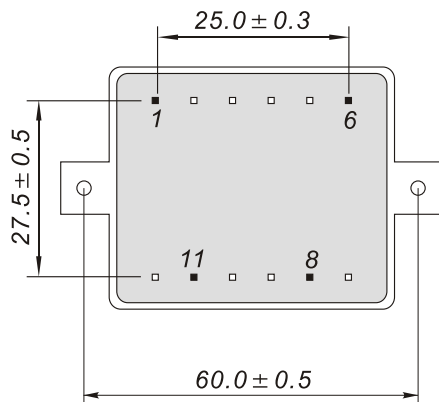
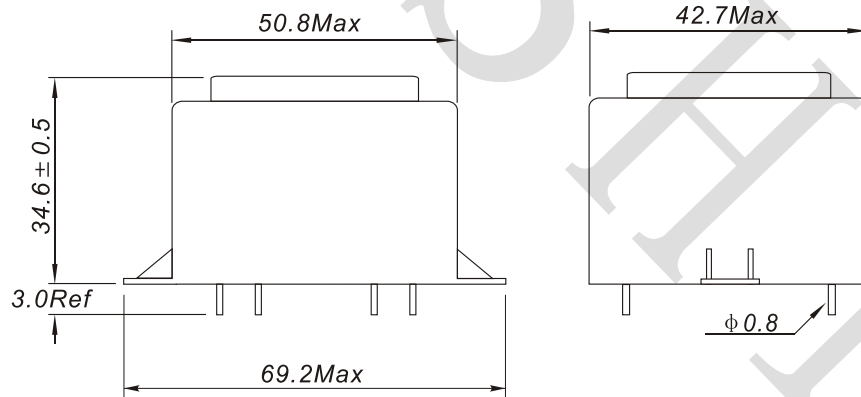


Rev.	Description	Date
A0	New release	2019.11.28

## 1. PHYSICAL CHARACTERISTICS (mm)



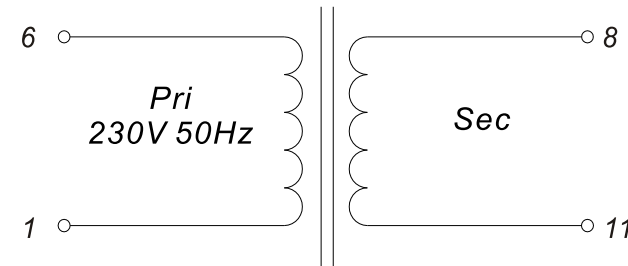
### MARKING

SHINHOM  
 AC230V 50/60Hz  
 PE481667R  
 ta: 70°C 10.0VA  
 12V

### NOTES:

Temp 20°C 48%RH  
 RoHS Compliant

## 2. ELECTRONICAL SCHEMATIC



## 3. ELECTRONICAL SPECIFICATIONS

Input voltage: 230V

Output voltage: 12V

Output current: 834mA@230V,50Hz

Noload voltage: 15.5V

Hi-Pot: 3600V,50Hz,10mA,2S

Storage temperature: -20°C to +80°C

Operating temperature: -10°C to +70°C

NAME:	Potting transformer		
CUSTOMER P/N:	BV EI481 1172	DATE:	2019-11-28
SHINHOM P/N:	PE481667R	REV: A0	PAGE
DRAWN BY	CHECKED BY	APPROVE BY	



# SHINHOM

SHAANXISHINHOM ENTERPRISE CO LTD

TEL:+86-029-87851838  
 FAX:+86-029-87851840  
 ZIP:710054  
 Http://www.shinhom.com  
 E-mail:shinhom@globalsources.com  
 sales@shinhom.com.cn  
 NO. 8, Yanta Northern Road, Xi'an Shaanxi Pro. China