

## Data sheet

Commercial Art.No.: 25.820.3453.0

PCB connector 8113 BFK / 4 TOP OB

PCB female connector with tension spring connection, 4 poles, max. cross section: 2.5 mm<sup>2</sup>, pitch: 5 mm, type of packing: carton, color: grey



Commercial Art.No.	25.820.3453.0
EAN	4015573562226
Order Unit	50

Certificates / Approvals



## Technical data

### General

Modular spacing	5 mm
Connection type	spring clamp connection
Soldering process	None
Packaging	Carton
Number of poles	4
Marking	No
Fastening	None
Mating direction towards connector	180°

### Technical data

Nominal cross section	2.5 mm <sup>2</sup>
Rated current	12 A
Overvoltage Category I	1000 V
Overvoltage Category II	400 V
Overvoltage Category III	250 V
Rated impulse voltage	4 kV
Wire strip length	11 mm

### Connection Data

Minimum cross section solid	0.14 mm <sup>2</sup>
Maximum cross section solid	2.5 mm <sup>2</sup>
Minimum cross section fine stranded	0.14 mm <sup>2</sup>
Maximum cross section fine stranded	2.5 mm <sup>2</sup>
Wire strip length	11 mm

### Technical Data UL/CSA

Cross section UL	22-12 AWG
------------------	-----------

Voltage UL	300 V
Current field wiring	12 A
Current factory wiring	12 A
Cross section CSA	22-16 AWG
Voltage CSA	300 V
Current CSA	12 A

#### Other

Type of insulation material	Thermoplastic
Color	Grey
Height	15 mm
Length	20 mm
Depth	24.3 mm
Material attachment screw	None
Material contact base	Steel
Material contact surface	Sn

#### Classification

ECLASS 11	
ECLASS 8.1	27440402
ETIM 7.0	EC002637
ETIM 6.0	EC002637
ETIM 5.0	EC002637
ETIM 4.0	EC002637

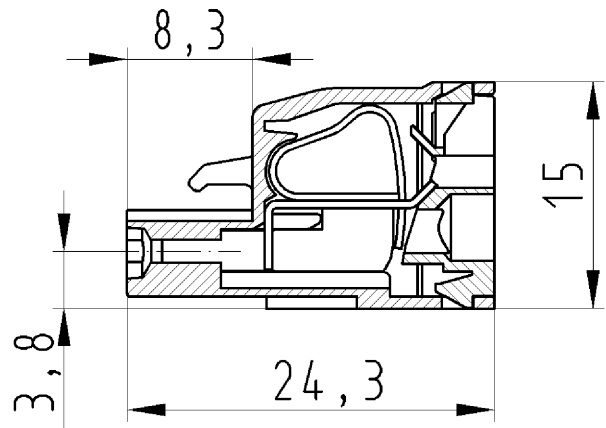
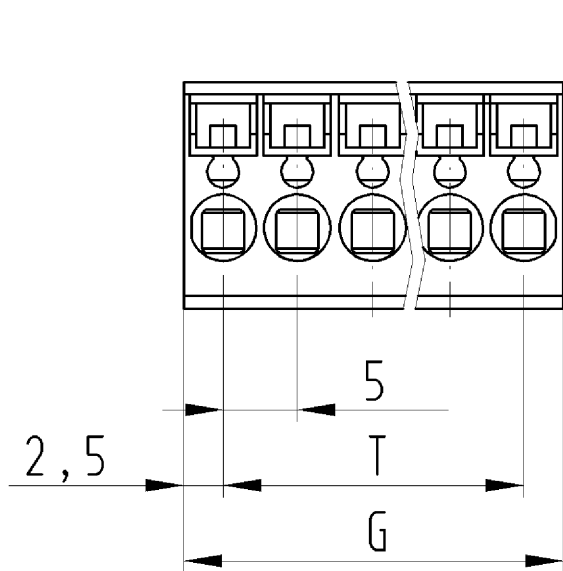
#### Product compliance

ROHS conformity status	Compliant
REACH-SVHC conformity status	Compliant

#### Fits with

Commercial Art.No.:	Article-type description:	Description:
25.332.3406.0	PCB pin header 8113 S / 4 W OB THR	PCB pin header, connection method depends on used socket part , 4 poles, with solder pin (2.6mm, tin plated), pitch: 5 mm, type of packing: carton, color: black, This product can be soldered by reflow and wave soldering,
25.332.3453.0	PCB pin header 8113 S / 4 W OB	PCB pin header, connection method depends on used socket part , 4 poles, pitch: 5 mm, type of packing: carton, color: grey
99.204.9996.0	PCB pin header 8113 S / 4 G OB OF	PCB pin header, connection method depends on used socket part , 4 poles, pitch: 5 mm, type of packing: carton, color: grey
25.330.3453.0	PCB pin header 8113 S / 4 G OB	PCB pin header, connection method depends on used socket part , 4 poles, pitch: 5 mm, type of packing: carton, color: grey
25.394.3453.0	PCB pin header 8113 S / 4 S OB	PCB pin header, connection method depends on used socket part , 4 poles, pitch: 5 mm, type of packing: carton, color: grey
99.264.9996.0	PCB pin header 8113 S / 4 W OB OF	PCB pin header, connection method depends on used socket part , 4 poles, pitch: 5 mm, type of packing: carton, color: grey
27.336.0453.0	PCB pin header 8113 SEG / 4 / 8 W OB	PCB pin header, 4 poles, pitch: 5 mm, type of packing: carton, color: grey

25.330.3406.0	PCB pin header 8113 S / 4 G OB THR	PCB pin header, connection method depends on used socket part , 4 poles, with solder pin (2.6mm, tin plated), pitch: 5 mm, type of packing: carton, color: black, This product can be soldered by reflow and wave soldering.
---------------	------------------------------------	--



für folgende Tabellen-Zchnng.:  
 25.820.3253.0 8113 BFK/..TOP OB

LP . STECKKLEMME  
 25.820.3253.0 10W  
 05.11.2007 DÜT  
 M 2:1

Weitergabe sowie Vervielfältigung dieses Dokuments, Verwertung und Mitteilung seines Inhalts sind verboten, soweit nicht ausdrücklich gestattet. The reproduction, distribution and utilization of this document as well as the communication of its contents to others without express authorization is prohibited.