

REVISION RECORD				
REV	ECN	DESCRIPTION	DRFT	DATE



NOTES:
 UL Standard
 1. Wire range : 24~10AWG

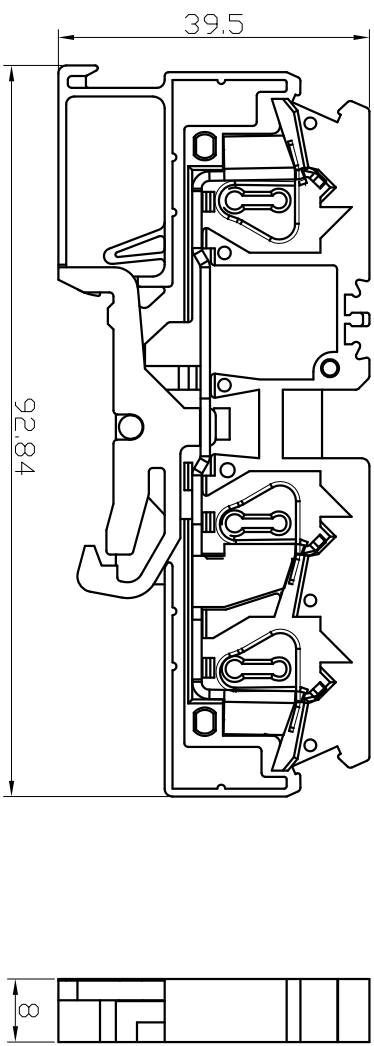
IEC Standard

1. Pollution degree	3
Overvoltage category	III
Rate impulse voltage(KV)	8.0KV
Rate voltage(V)	/ V
Rate current(A)	/ A

2. Wire range : 0.2~6mm²

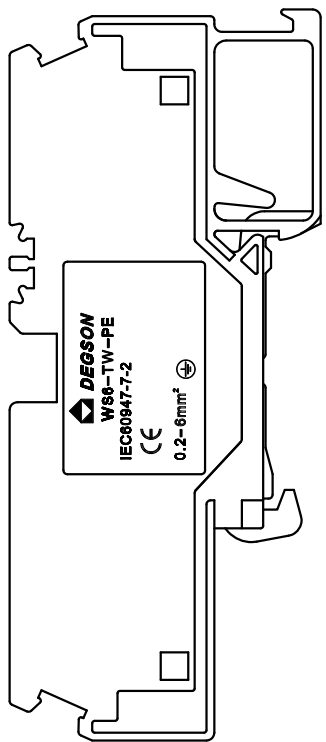
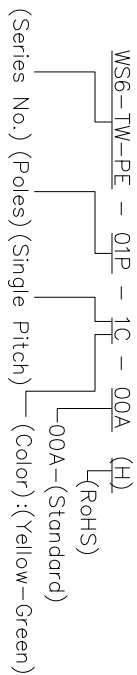
NOTES2:

1. Dimension shall be interpreted per ASME Y14.5-2009
2. Pitch : 8.0mm, Poles : 01P
3. Stripping length : 13~14mm
4. Operating temperature: -40°C~+105°C
5. Undimensioned tolerances:



Pitch range	in mm		Nominal dimension		range	
	Over	TO	Over	TO	Over	TO
6	10	10	30	60	100	150
10	10	24	30	60	100	150
±0.15/±0.20/±0.30		±0.30/±0.50/±0.70		±1.00/±1.30		±2°

6. RoHS Compliance



DETACHED LISTS			
PART NO.:	/	NAME:	DEGSON [®] NINGBO DEGSON ELECTRICAL CO., LTD 宁波高松电子有限公司
APPD:	/	TITLE:	CUSTOMER DRAWING
CHKD:	/	DRAWING NO.:	/
DRFT:	/	REV	DO
THIRD ANGLE PROJECTION		DO NOT SCALE DRAWING	SCALE
		SCALE	1:1

A 8 7 6 5 4 3 2 1