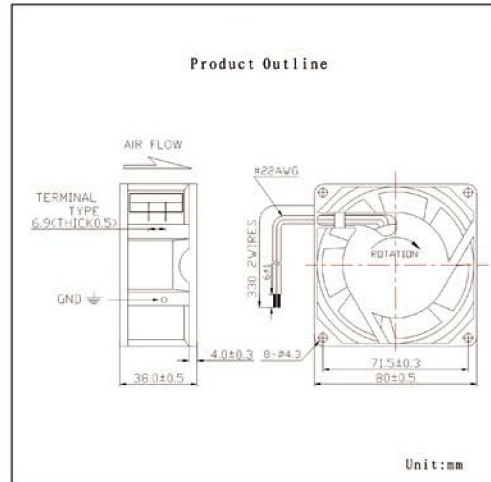
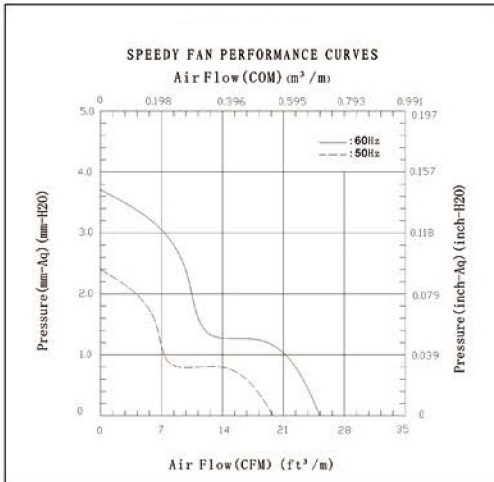
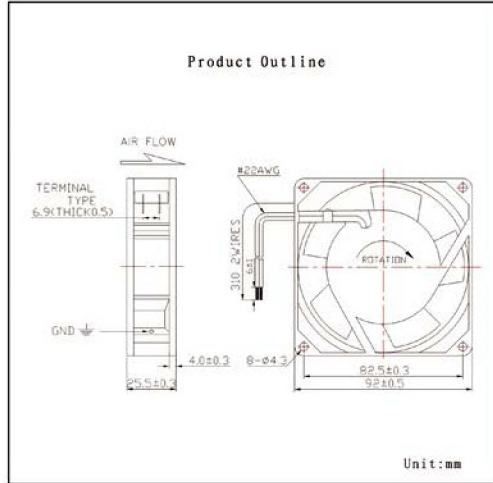
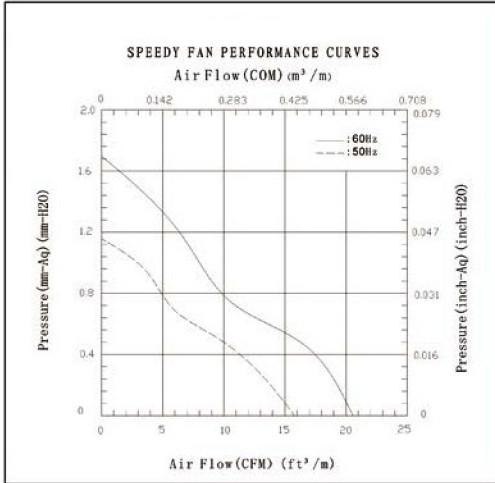


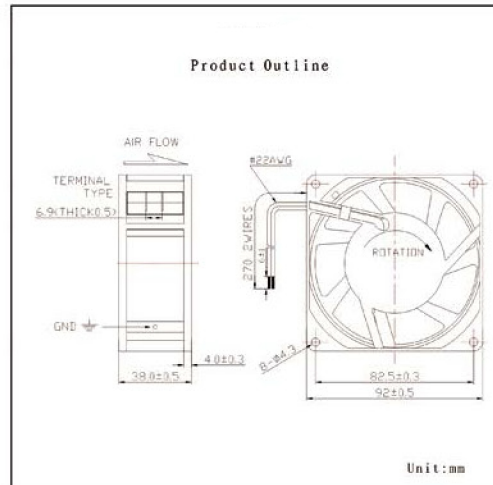
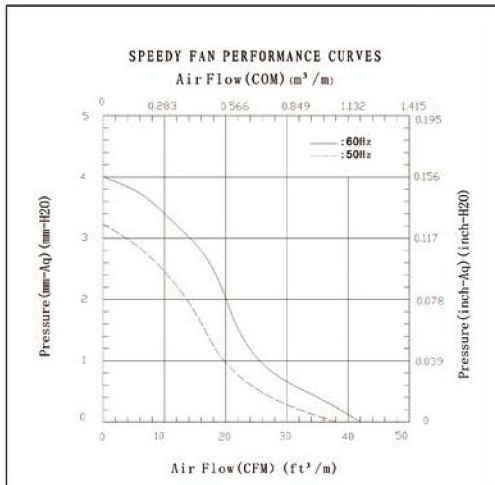
Model Number	Bearing Type	Operating Voltage (v)	Frequency (Hz)	Air Flow (CFM)	Static Pressure (inchH ₂ O)	Rated Speed (R.P.M)	Rated Current (Amp)	Rated Power (Watt)	Noise (dBA)	Weight (g)
RQA8025	Dual Ball	110-120	50/60	22/27	3.3/4.9	2500/3000	0.12	11/13	30/35	195
RQA8025		220-230	50/60	22/27	3.3/4.9	2500/3000	0.10	11/13	30/35	



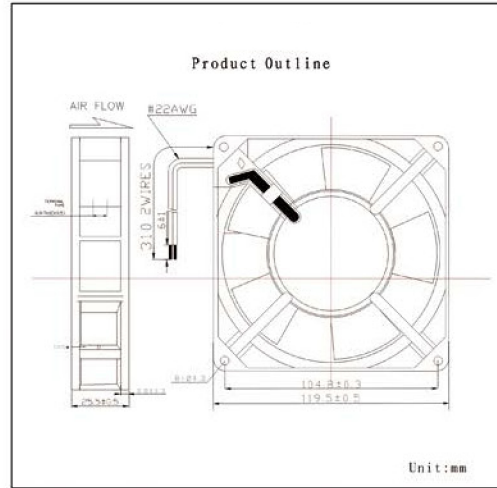
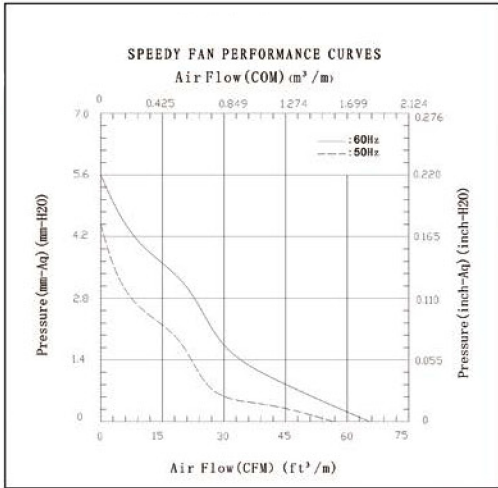
Model Number	Bearing Type	Operating Voltage (v)	Frequency (Hz)	Air Flow (CFM)	Static Pressure (inchH ₂ O)	Rated Speed (R.P.M)	Rated Current (Amp)	Rated Power (Watt)	Noise (dBA)	Weight (g)
RQA8038	Dual Ball	110-120	50/60	26/29	3.7/5.0	2700/3000	0.17	12/16	28/34	290
RQA8038		220-230	50/60	26/29	3.7/5.0	2700/3000	0.17	12/16	28/34	



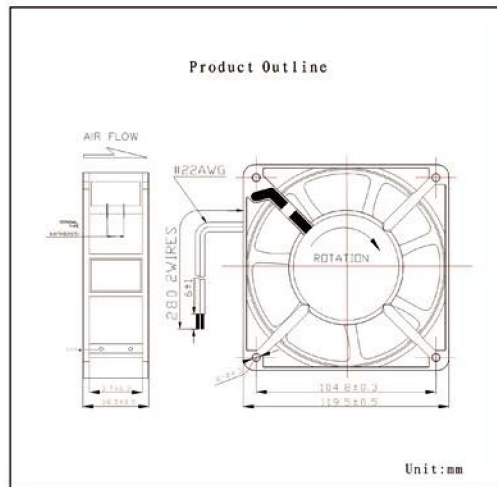
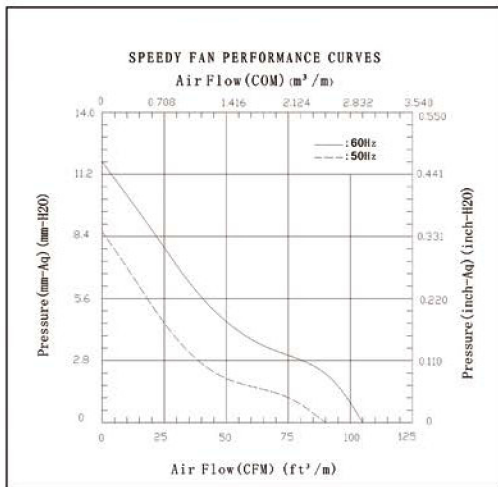
Model Number	Bearing Type	Operating Voltage (v)	Frequency (Hz)	Air Flow (CFM)	Static Pressure (inchH ₂ O)	Rated Speed (R.P.M)	Rated Current (Amp)	Rated Power (Watt)	Noise (dBA)	Weight (g)
RQA9225	Dual Ball	110-120	50/60	22/30	1.2/1.9	1500/1900	0.12	13/14	22/26	228
RQA9225		220-230	50/60	22/30	1.2/1.9	1500/1900	0.07	13/14	22/26	



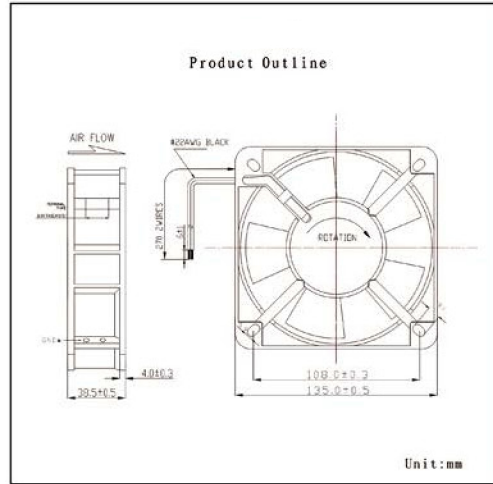
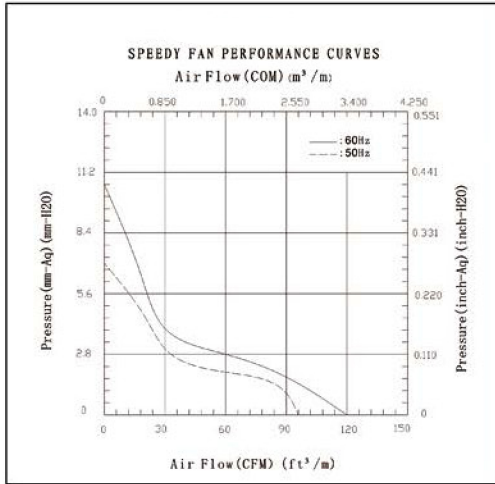
Model Number	Bearing Type	Operating Voltage (v)	Frequency (Hz)	Air Flow (CFM)	Static Pressure (inchH ₂ O)	Rated Speed (R.P.M)	Rated Current (Amp)	Rated Power (Watt)	Noise (dBA)	Weight (g)
RQA9238	Dual Ball	110-120	50/60	38/42	3.3/4.0	2200/2500	0.09/0.12	7/9	25/27	350
RQA9238		220-230	50/60	38/42	3.3/4.0	2200/2500	0.06/0.07	8/11	25/27	



Model Number	Bearing Type	Operating Voltage (v)	Frequency (Hz)	Air Flow (CFM)	Static Pressure (inchH ₂ O)	Rated Speed (R.P.M)	Rated Current (Amp)	Rated Power (Watt)	Noise (dBA)	Weight (g)
RQA12025	Dual Ball	110-120	50/60	51/63	2.2/3.7	1800/2300	0.15/0.16	14/16	31/36	320
RQA12025		220-230	50/60	51/63	2.2/3.7	1800/2300	0.06/0.07	12/13	31/36	



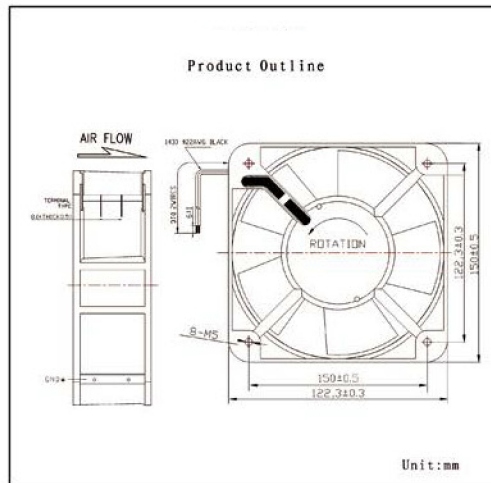
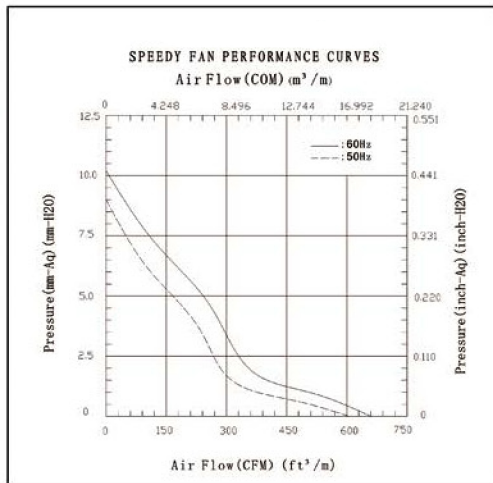
Model Number	Bearing Type	Operating Voltage (v)	Frequency (Hz)	Air Flow (CFM)	Static Pressure (inchH ₂ O)	Rated Speed (R.P.M)	Rated Current (Amp)	Rated Power (Watt)	Noise (dBA)	Weight (g)
RQA12038	Dual Ball	110-120	50	95/110	7.2/9.0	2600/3000	0.28/0.30	22/24	39/42	540
RQA12038		220-230	50	95/110	7.2/9.0	2600/3000	0.11/0.13	20/22	39/42	



135X135X38mm



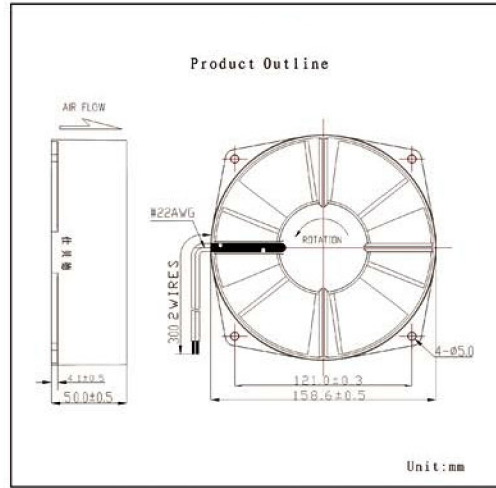
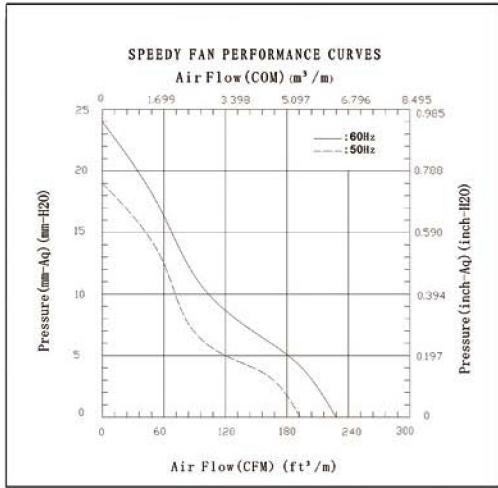
Model Number	Bearing Type	Operating Voltage (v)	Frequency (Hz)	Air Flow (CFM)	Static Pressure (inchH ₂ O)	Rated Speed (R.P.M)	Rated Current (Amp)	Rated Power (Watt)	Noise (dBA)	Weight (g)
RQA13538	Dual Ball	110-120	50/60	96/120	8.2/10.5	2400/2800	0.29/0.32	22/25	46/53	570
RQA13538		220-230	50/60	96/120	8.2/10.5	2400/2800	0.12/0.14	20/22	46/53	



150X150X50mm



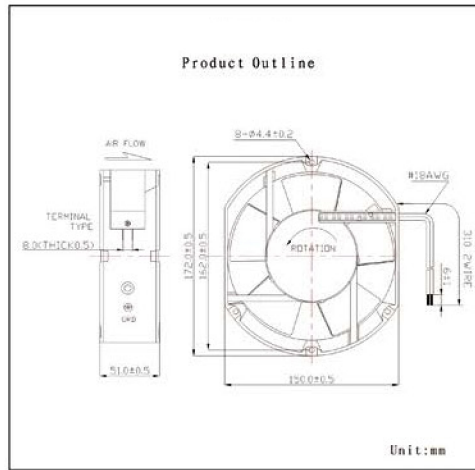
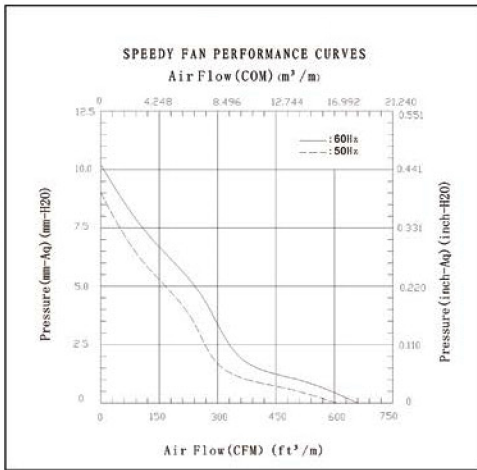
Model Number	Bearing Type	Operating Voltage (v)	Frequency (Hz)	Air Flow (CFM)	Static Pressure (inchH ₂ O)	Rated Speed (R.P.M)	Rated Current (Amp)	Rated Power (Watt)	Noise (dBA)	Weight (g)
RQA15050	Dual Ball	110-120	50/60	160/180	13/17	2600/2900	0.45/0.50	30/34	54/59	840
RQA15050		220-230	50/60	160/180	13/17	2600/2900	0.22/0.23	28/32	54/59	



160X160X60mm



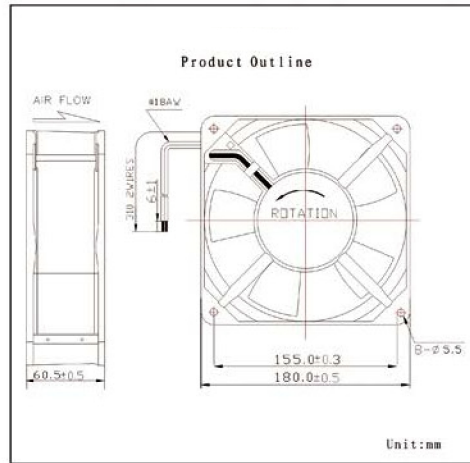
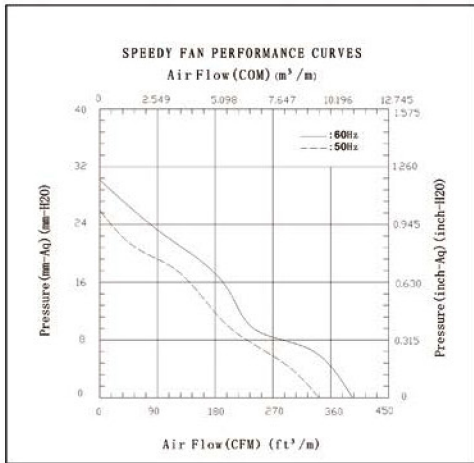
Model Number	Bearing Type	Operating Voltage (v)	Frequency (Hz)	Air Flow (CFM)	Static Pressure (inchH ₂ O)	Rated Speed (R.P.M)	Rated Current (Amp)	Rated Power (Watt)	Noise (dBA)	Weight (g)
RQA16060	Dual Ball	110-120	50/60	195/225	12/15	2800/3300	0.30/0.35	30/35	65/68	890
RQA16060		220-230	50/60	195/225	12/15	2800/3300	0.15/0.18	30/35	65/68	



172X150X51mm



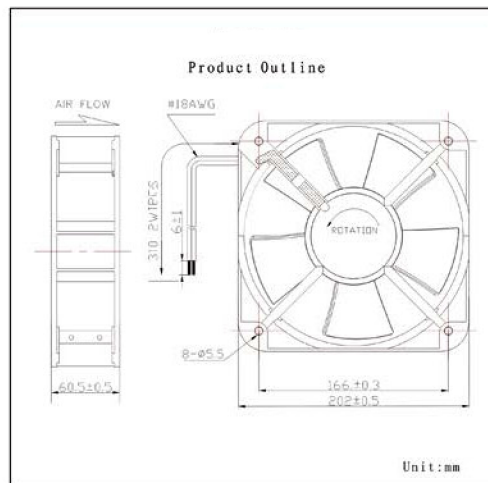
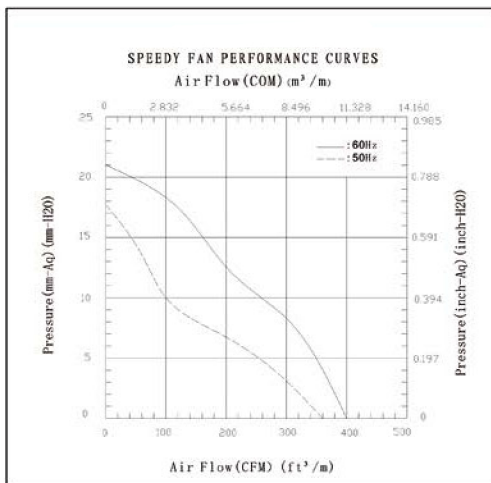
Model Number	Bearing Type	Operating Voltage (v)	Frequency (Hz)	Air Flow (CFM)	Static Pressure (inchH ₂ O)	Rated Speed (R.P.M)	Rated Current (Amp)	Rated Power (Watt)	Noise (dBA)	Weight (g)
RQA17251	Dual Ball	110-120	50/60	160/180	11/13	2700/3000	0.6	41/47	51/55	860
RQA17251		220-230	50/60	160/180	11/13	2700/3000	0.4	41/47	51/55	



180X180X60mm



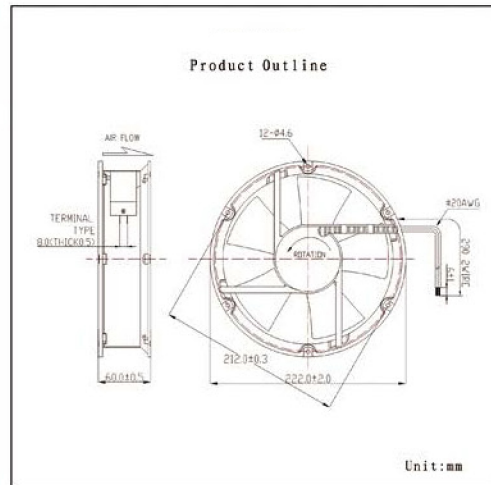
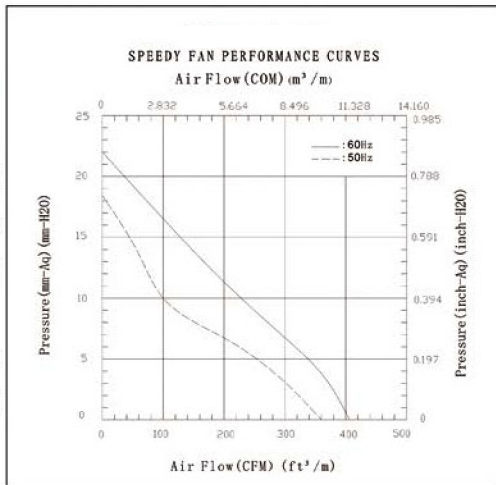
Model Number	Bearing Type	Operating Voltage (v)	Frequency (Hz)	Air Flow (CFM)	Static Pressure (inchH ₂ O)	Rated Speed (R.P.M)	Rated Current (Amp)	Rated Power (Watt)	Noise (dBA)	Weight (g)
RQA18060	Dual Ball	110-120	50/60	345/395	21/23	2500/2800	0.75/0.85	55/65	63/68	1600
RQA18060		220-230	50/60	345/395	21/23	2500/2800	0.45/0.55	55/65	63/68	



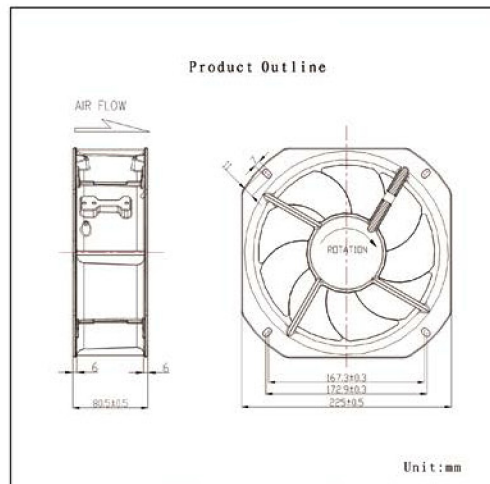
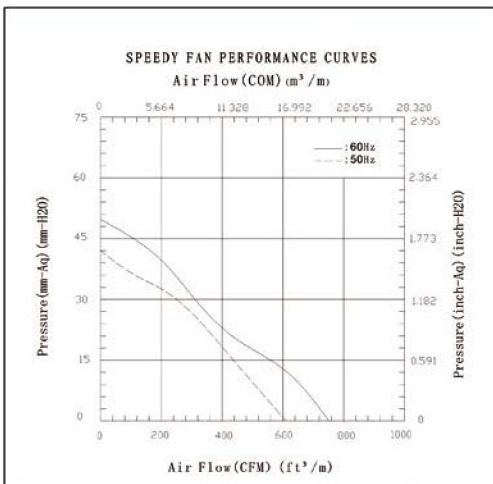
200X200X60mm



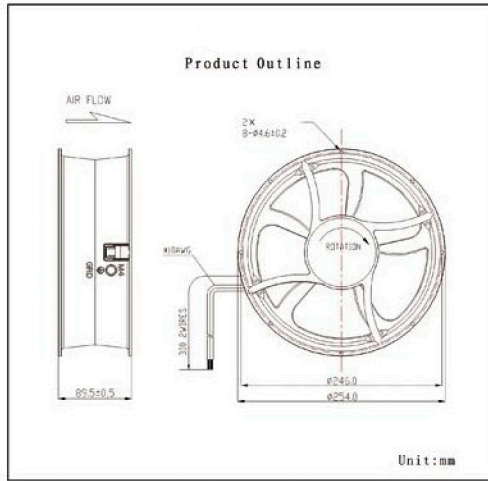
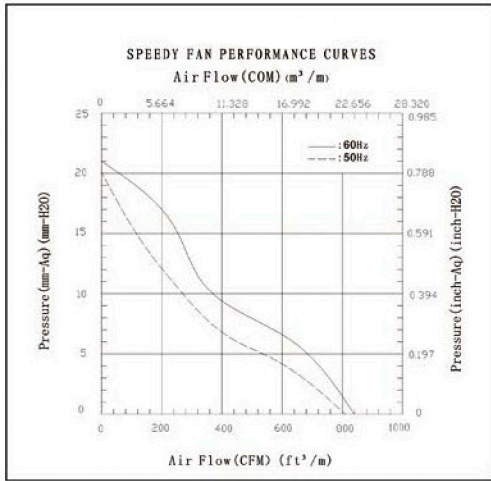
Model Number	Bearing Type	Operating Voltage (v)	Frequency (Hz)	Air Flow (CFM)	Static Pressure (inchH ₂ O)	Rated Speed (R.P.M)	Rated Current (Amp)	Rated Power (Watt)	Noise (dBA)	Weight (g)
RQA20060	Dual Ball	110-120	50/60	350/400	18/19	2400/2700	0.60	65/65	64/69	1600
RQA20060		220-230	50/60	350/400	18/19	2400/2700	0.35	65/65	64/69	



Model Number	Bearing Type	Operating Voltage (v)	Frequency (Hz)	Air Flow (CFM)	Static Pressure (inchH ₂ O)	Rated Speed (R.P.M)	Rated Current (Amp)	Rated Power (Watt)	Noise (dBA)	Weight (g)
RQA22060	Dual Ball	110-120	50/60	360/405	18/19	2300/2600	0.40	48/51	60/65	1370
RQA22060		220-230	50/60	360/405	18/19	2300/2600	0.18/0.22	40/42	60/65	



Model Number	Bearing Type	Operating Voltage (v)	Frequency (Hz)	Air Flow (CFM)	Static Pressure (inchH ₂ O)	Rated Speed (R.P.M)	Rated Current (Amp)	Rated Power (Watt)	Noise (dBA)	Weight (g)
RQA22580	Dual Ball	110-120	50/60	610/755	21/23	2500/2850	0.74	80/80	63/66	2135
RQA22580		220-230	50/60	610/755	21/23	2500/2850	0.40	80/80	63/66	

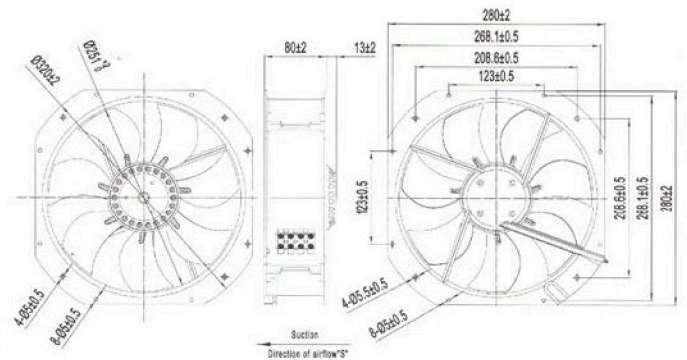
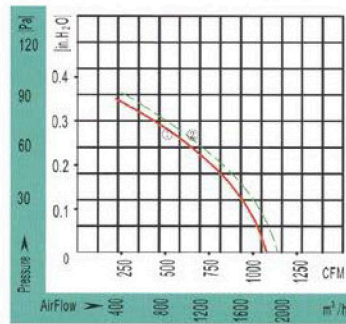


254X254X89mm



Model Number	Bearing Type	Operating Voltage (v)	Frequency (Hz)	Air Flow (CFM)	Static Pressure (inchH ₂ O)	Rated Speed (R.P.M)	Rated Current (Amp)	Rated Power (Watt)	Noise (dBA)	Weight (g)
RQA25489	Dual Ball	110-120	50/60	850/930	21/17	2700/3000	0.50/0.60	60/75	78/84	1780
RQA25489		220-230	50/60	850/930	21/17	2700/3000	0.25/0.30	60/75	78/84	

280X280X80mm



	V	Hz	A	W	rpm	m ³ /h/CFM	dB(A)	g
RQA28080	115/120	50	1.10	124	2600	1850/1088	68	2800
		60	1.36	155	2900	1960/1153	72	
RQA28080	220/230	50	0.50	120	2600	1850/1088	68	
		60	0.65	150	2900	1960/1153	72	