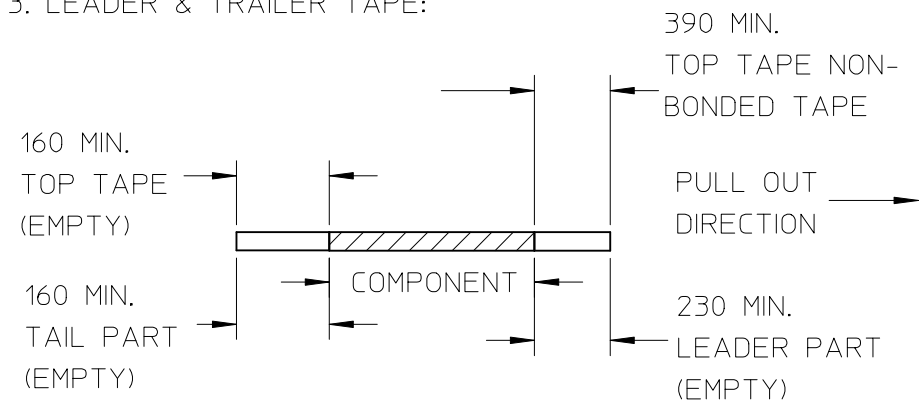
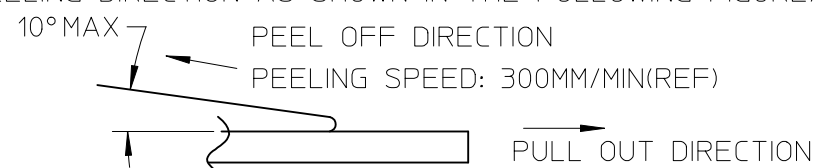


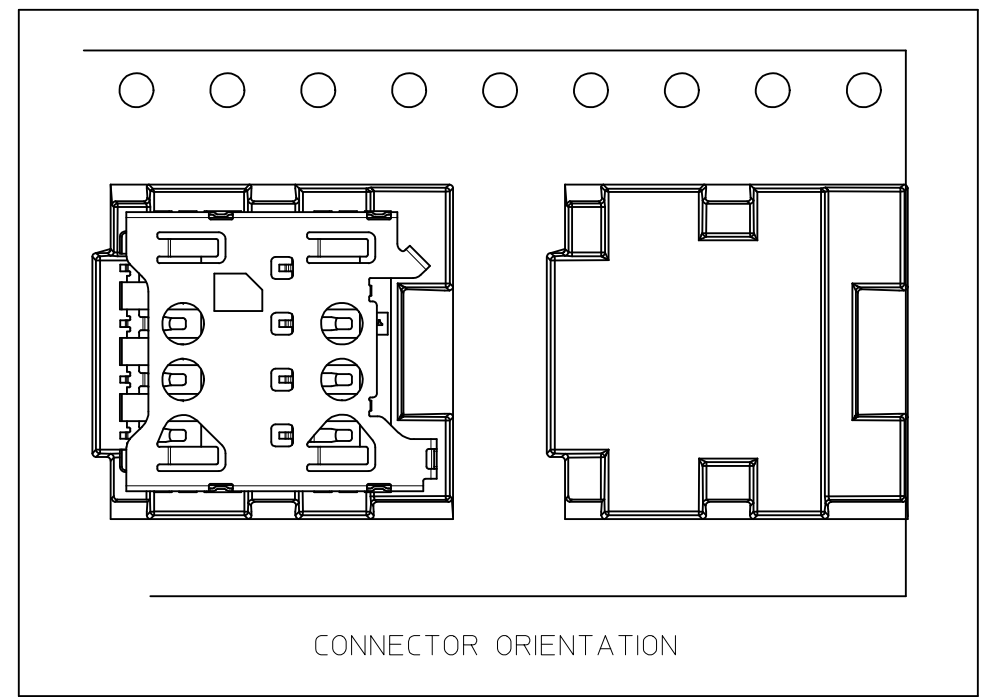
- NOTES :
- MATERIAL:
ANTI-STATIC POLYSTYRENE, BLACK, THICKNESS 0.40MM.
 - UNLESS OTHERWISE SPECIFIED, ALL TAPE & SPROCKET HOLE DIMENSION TO BE CONFORMED TO EIA-481 STANDARD.
 - LEADER & TRAILER TAPE:



- PEELING OFF FORCE OF THE TOP TAPE : 20-80gf.
(PEELING DIRECTION AS SHOWN IN THE FOLLOWING FIGURE)



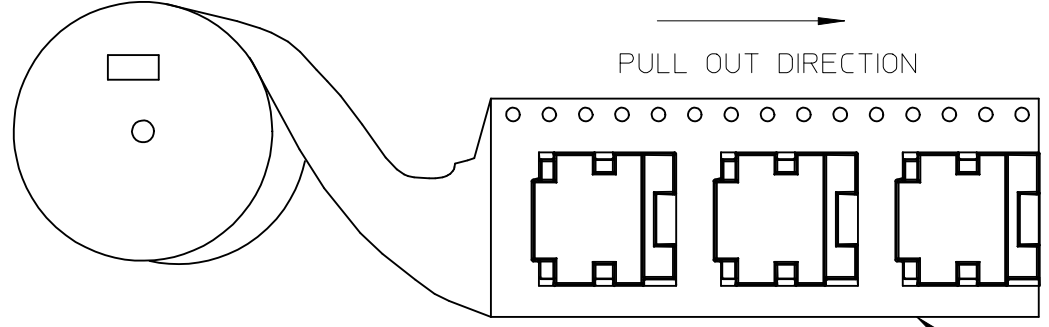
- TAPE & REEL SPECIFICATION IS AS PER EIA-481.
- TAPE & REEL QTY. : 1200PCS / REEL.
- THE TAPE IS TREATED FOR ANTI-STATIC.
- CARRIER CAMBER NOT EXCEED 1MM/100MM.
- 10 SPROCKET HOLE PITCHES CUMULATIVE TOLERANCE ±0.20MM.
- PACKING LENGTH PER 13"(OD)/4"(ID) REEL: 26 METERS.



ADD NOTE EC NO: S2012-0617 DRWN:JTAN02 CHKD:FCS00 APPR:KHL IM	2012/03/02 2012/04/09 2012/04/10	QUALITY SYMBOLS $\nabla_A=0$ $\nabla_E=0$ $\nabla_P=0$	GENERAL TOLERANCES (UNLESS SPECIFIED)		DIMENSION STYLE	SCALE	DESIGN UNITS	THIRD ANGLE PROJECTION
					MM ONLY	NTS	METRIC	
					mm	INCH	TITLE	
					DRAFT WHERE APPLICABLE MUST REMAIN WITHIN DIMENSIONS		DRAWN BY: JTAN02 DATE: 2012/01/16 CHECKED BY: FCS00 DATE: 2012/02/10 APPROVED BY: KHL IM DATE: 2012/02/15 MATERIAL NO.: SEE TABLE DOCUMENT NO.: PK-78723-001 SHEET NO.: 1 OF 2	
SIZE A3 THIS DRAWING CONTAINS INFORMATION THAT IS PROPRIETARY TO MOLEX INCORPORATED AND SHOULD NOT BE USED WITHOUT WRITTEN PERMISSION								

TAPE & REEL PACKAGING SPECIFICATION

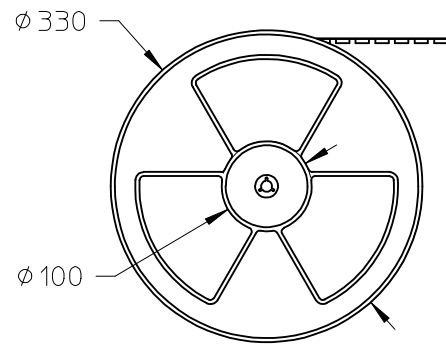
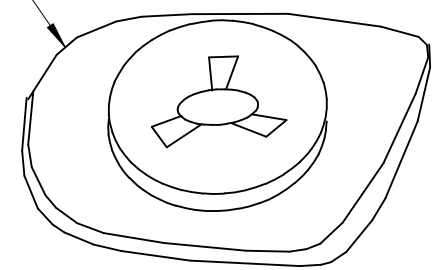
ASSEMBLY P/NO.	QTY. / REEL	REEL / CARTON	QTY. / BOX
78723-0001	1200	3	3600



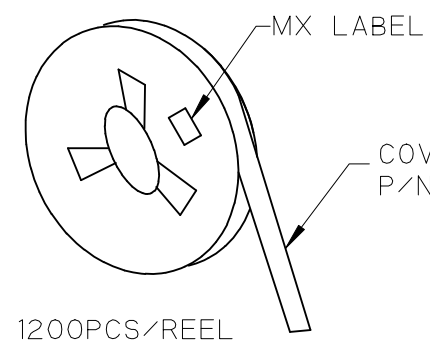
PULL OUT DIRECTION

EMBOSS TAPE
P/NO.: 78888 2030

ANTI-WATER PLOY BAG
P/NO.: 88796 2470

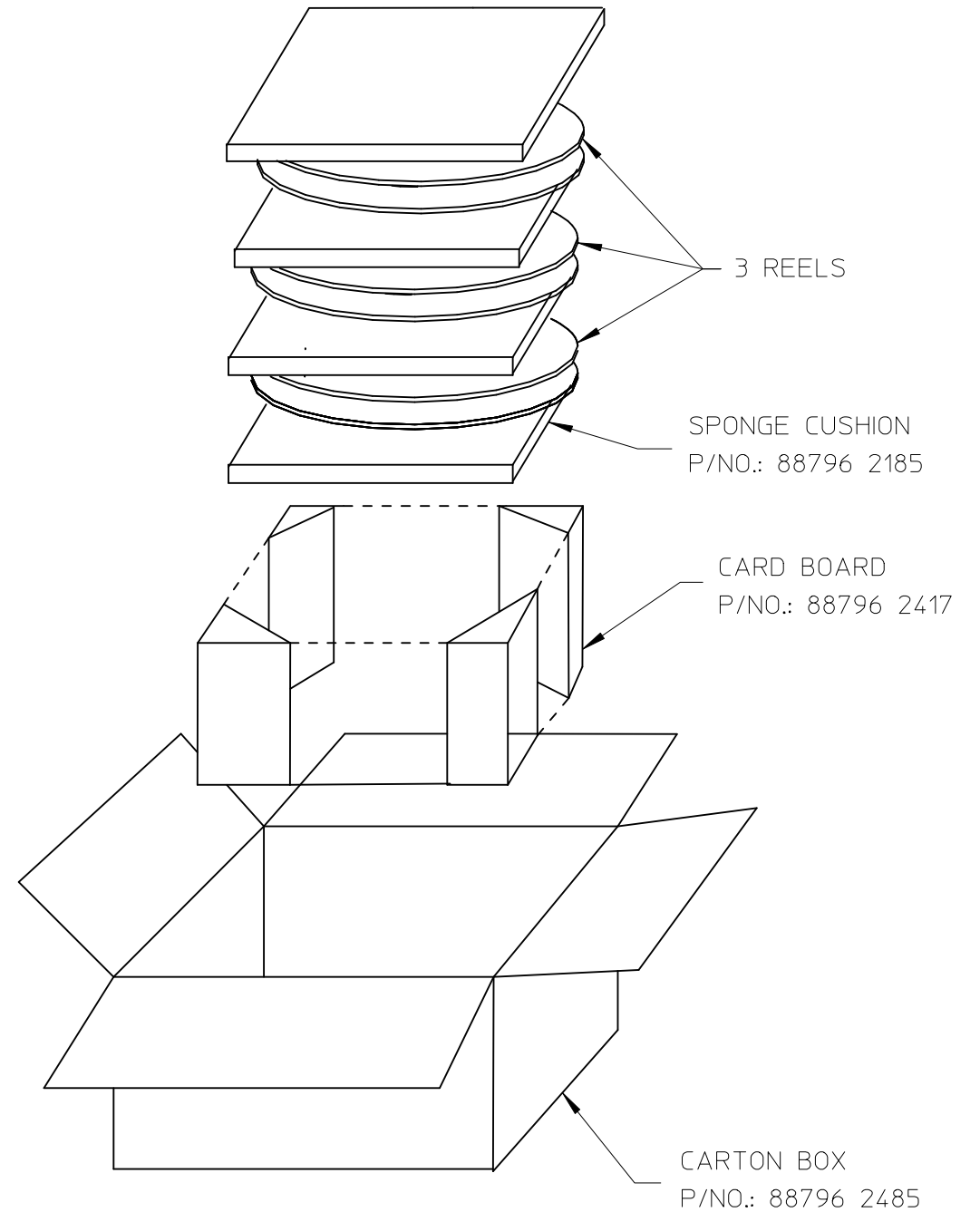


PAPER REEL



COVER TAPE
P/N : 88796 2833

1200PCS/REEL



3 REELS

SPONGE CUSHION
P/NO.: 88796 2185

CARD BOARD
P/NO.: 88796 2417

CARTON BOX
P/NO.: 88796 2485

- NOTE :
1. PACK REELS INTO CARTON ACCORDINGLY TO THE ILLUSTRATION AS SHOWN.
 2. PARTIAL PACKAGING SHOULD BE AVOIDED.
 3. PACKAGING SPECIFICATION IS BASED ON GENERAL PACKAGING ONLY, IT MAY CHANGE BASED ON THE RESULT OF THE DROP TEST.

ADD NOTE EC NO: S2012-0617 DRWN:JTAN02 CHKD:FCS00 APPR:KHL IM	QUALITY SYMBOLS $F_A=0$ $F_E=0$ $F_P=0$	GENERAL TOLERANCES (UNLESS SPECIFIED)		DIMENSION STYLE	SCALE	DESIGN UNITS	THIRD ANGLE PROJECTION	
				MM ONLY	NTS	METRIC		
				mm	INCH	DRAWN BY	DATE	TITLE
		4 PLACES	± ---	± ---		JTAN02	2012/01/16	PACKAGING SPECIFICATION MICRO SIM CONNECTOR 1.35MM HT.,PUSH PULL
3 PLACES	± ---	± ---		CHECKED BY	DATE	MOLEX INCORPORATED		
2 PLACES	± ---	± ---		FCS00	2012/02/10			
1 PLACE	± ---	± ---		APPROVED BY	DATE	DOCUMENT NO.		
ANGULAR ± ---°				KHL IM	2012/02/15	PK-78723-001	SHEET NO.	
DRAFT WHERE APPLICABLE MUST REMAIN WITHIN DIMENSIONS				MATERIAL NO.	SEE TABLE		2 OF 2	
A1		REV		SIZE	THIS DRAWING CONTAINS INFORMATION THAT IS PROPRIETARY TO MOLEX INCORPORATED AND SHOULD NOT BE USED WITHOUT WRITTEN PERMISSION			