

115T-XEA0 stands for connector only.  
It's need to used with SIM card tray  
(P/N: 115-00003)

REV.	DESCRIPTION	DRAWN	DATE
3	Add dimensions, view, revised frame	FROS	2015/03/31
4	Change P/N	FROS	2017/02/22
5	ECR2000001	FROS	2020/01/06

**△ SPECIFICATION:**

1. ELECTRICAL
  - 1.1 Current Rating: 1A Max, 10u A Min.
  - 1.2 Voltage Rating: 50V Max
  - 1.3 Contact Resistance: 50mΩ
  - 1.4 Insulation Resistance: 1,000MΩ / 500V DC
  - 1.5 Dielectric Withstanding Voltage: 500V AC at 1 minute
2. MECHANICAL
  - 2.1 Durability: 5,000 Cycle Min.
  - 2.2 Press Force: 0.5N
3. ENVIRONMENTAL
  - 3.1 Operating temperature range: -40°C ~ +85°C
  - 3.2 Storage temperature range: -40°C ~ +85°C
4. SOLDER ABILITY
  - 4.1 Recommended IR-Reflow Temperature: 260°C 10Sec

**△△ How to order**

1 1 5 T - X E A 0

Pin count ↑

P/N	1 1 5 T - A E A 0	6 PIN
	1 1 5 T - B E A 0	8 PIN

7	Link	Stainless Steel
6	Knob	LCP, UL94V-0, Yellow
5	Spring	Piano Wire
4	Hook	Stainless Steel
3	Rivet	Stainless Steel
2	Contact	Phosphor Bronze , Selected Gold Plating on contact area, Tin plating on solder tail, under plating nickel over all
1	Housing	LCP, UL94V-0, Black
NO.	PART NAME	DESCRIPTION

UNLESS OTHERWISE SPECIFIED TOLERANCE

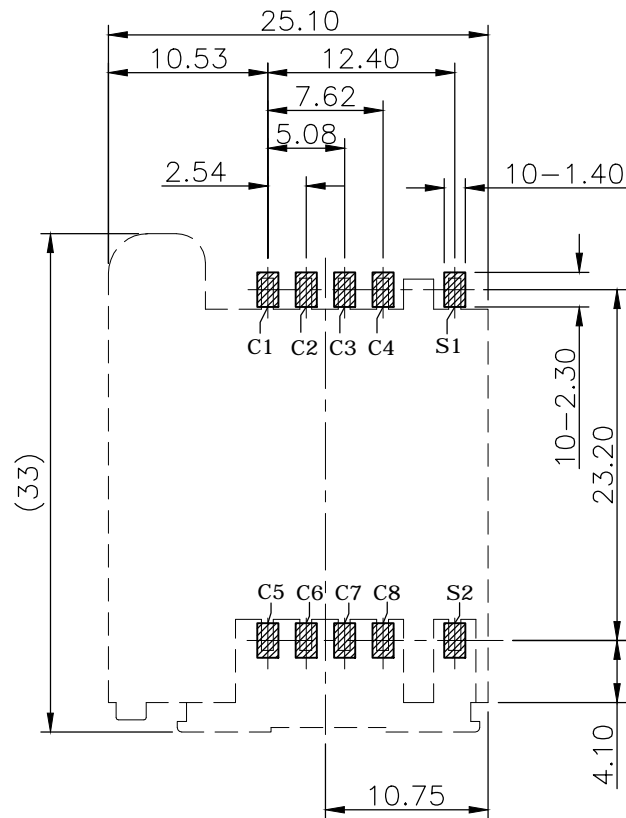
UNIT:	DECIMAL	LINEAR	ANGLES
mm	X.	±0.50	±5°
	X.X	±0.25	±3°
	X.XX	±0.12	±1°



WWW.ATTEND.COM.TW

DRAWN	Willis	2014/08/15	DRAWN NAME:	SIM Card Socket, Bar Push w/Switch, 15u", Tube	
CHECKED	Angel	2014/08/15	PRODUCT NO.	see how to order	
APPROVED	Ken	2014/08/15	SCALE	1.6/1	
FILE NAME	115T-XEA0_B_5	SHEET	1/2	SIZE	A4

REV.	DESCRIPTION	DRAWN	DATE
	SEE SHEET ONE		



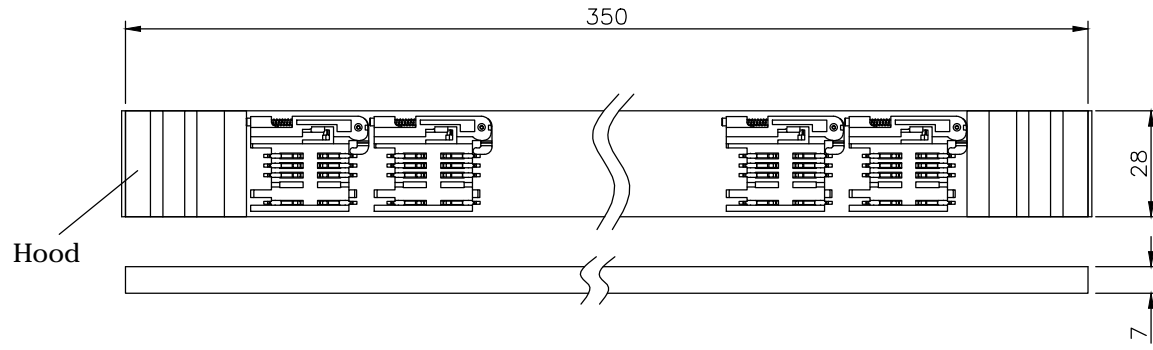
**RECOMMENDED LAYOUT (TOP VIEW)**  
**GENERAL TOLERANCE: ±0.1mm**

SWITCH CIRCUIT	
When Tray is Ejected	When Tray is Inserted
OPEN	CLOSE
S1 S2	S1 S2

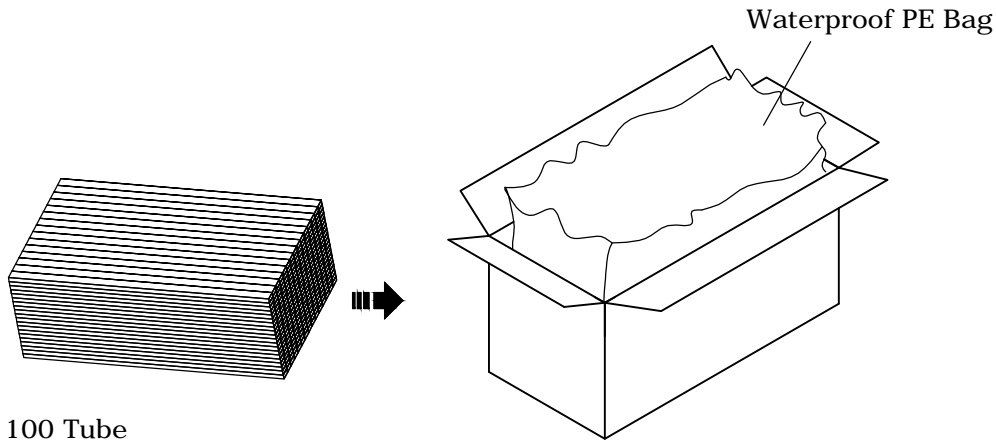
PIN OUT				
C1	C2	C3	C4	S1
Vcc	RST	CLK	NC	CD
C5	C6	C7	C8	S2
GND	Vpp	I/O	NC	SW

UNLESS OTHERWISE SPECIFIED TOLERANCE							
UNIT:	DECIMAL	LINEAR	ANGLES			<a href="http://WWW.ATTEND.COM.TW">WWW.ATTEND.COM.TW</a>	
mm	X.	±0.50	±5°				
	X.X	±0.25	±3°				
	X.XX	±0.12	±1°				
DRAWN	Willis	2014/08/15	DRAWN NAME:				
CHECKED	Angel	2014/08/15	SIM Card Socket, Bar Push w/Switch, 15u", Tube				
APPROVED	Ken	2014/08/15	PRODUCT NO.	see how to order			
	SCALE	SHEET	SIZE	FILE NAME			
	2/1	2/2	A4	115T-XEA0_B_5			

REV.	DESCRIPTION	DRAWN	DATE
1	INITIAL RELEASE	TIM	2018/01/17
2	ECR2000001	Fros	2020/01/06




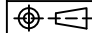
10 Pcs/ 1 Tube



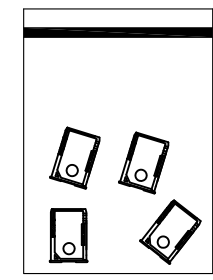
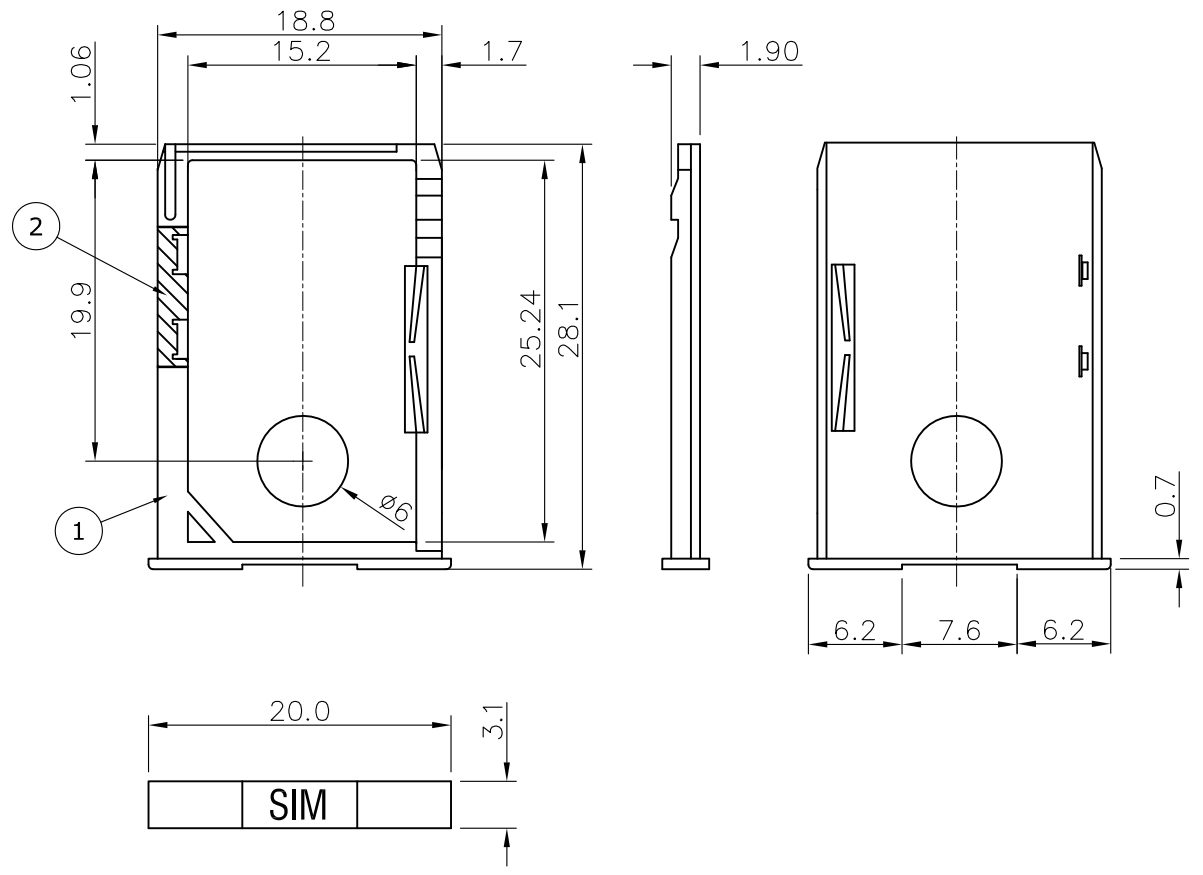
100 Tube

Carton L\*W\*H= 360\* 170\* 170

115T-AEA0	SIM Card Socket, Bar Push w/Switch, 15u", 6 Pin	10pcs/tube	1000pcs
115T-BEA0	SIM Card Socket, Bar Push w/Switch, 15u", 8 Pin		
PART NAME	DESCRIPTION	Packaging	Carton

UNLESS OTHERWISE SPECIFIED TOLERANCE					
UNIT:	DECIMAL	LINEAR	ANGLES		
mm	X.	±0.50	±5°	WWW.ATTEND.COM.TW	
	X.X	±0.25	±3°		
	X.XX	±0.12	±1°		
DRAWN	Tim	2018/01/17	DRAWN NAME:		
CHECKED	Fros	2018/01/17	Packaging, SIM Card Socket, Bar Push w/Switch, 15u", tube		
APPROVED	Ken	2018/01/17	PRODUCT NO.	See Table	
	SCALE 1/1	SHEET 1/1	SIZE A4	FILE NAME	115T-XEA0_D_2

REV.	DESCRIPTION	DRAWN	DATE
1	INITIAL RELEASE	FROS	2020/01/06



Packaging: 100 pcs/1 bag

2	SHIELD	Phosphor Bronze, Gold plating over Nickel	
1	HOUSING	PBT, UL94V-0, Black	
NO.	PART NAME	DESCRIPTION	
UNLESS OTHERWISE SPECIFIED TOLERANCE			
UNIT:	DECIMAL	LINEAR	ANGLES
mm	X.	±0.50	±5°
	X.X	±0.25	±3°
	X.XX	±0.12	±1°
			www.attend.com.tw
DRAWN	Fros	2020/01/06	DRAWN NAME:
CHECKED	Tim	2020/01/06	SIM Card Tray for 115T Series, PBT Black
APPROVED	Ken	2020/01/06	PRODUCT NO. 115-00003
	SCALE 2/1	SHEET 1/1	SIZE A4
			FILE NAME 115-00003_B_1

