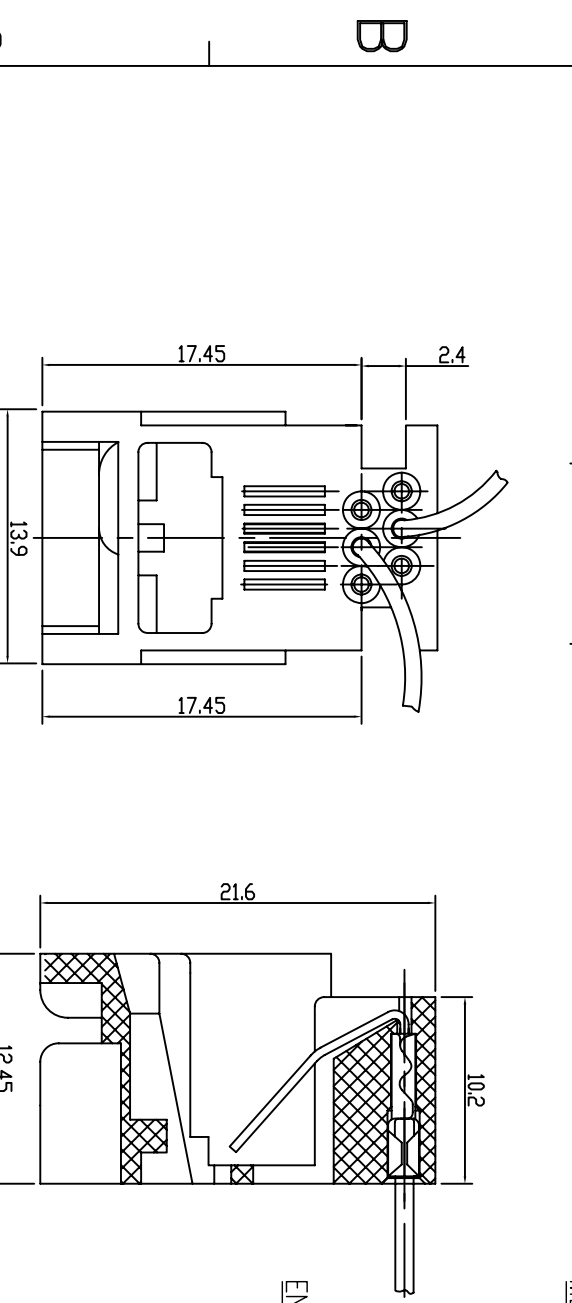
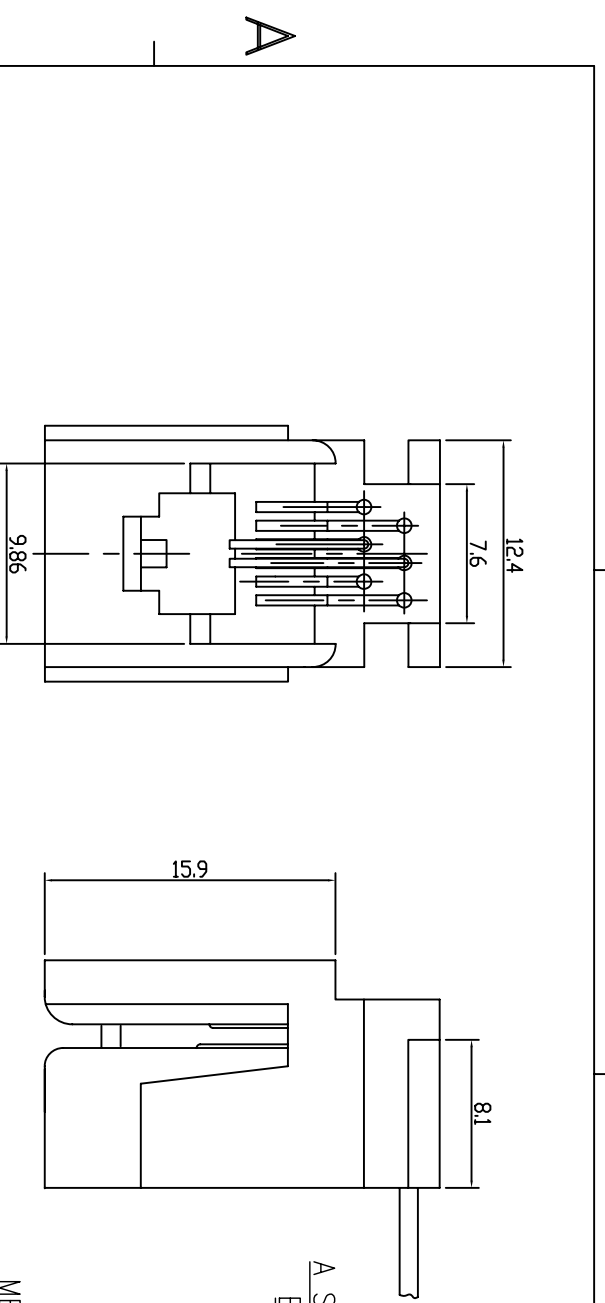


REV.	ECN NO.	DATE



A SPECIFICATION NOTES:

ELECTRICAL:

1. VOLTAGE RATING: 125 VAC RMS
2. CURRENT RATING: 1.5 AMP
3. CONTACT RESISTANCE: 30mΩ MAX.
4. INSULATION RESISTANCE: 1000MΩ MIN. AT 500V DC.
5. DIELECTRIC STRENGTH: 1000 V
AC OR 1500V DC RMS AT 0.5mA
50 Hz / 60 Hz FOR 1 MINUTE

MECHANICAL:

1. HOUSING: ABS
 2. CONTACT MATERIAL: DIA. PHOSPHOR BRONZE $\phi=0.46MM$
 3. PLATING: GOLD PLATING AT CONTACT AREA,
NICKEL 30u" MIN. OVER ALL
 4. OPERATING LIFE: 750 CYCLES MIN.
 5. MATING/UNMATING FORCE: 30N/3.06KG MAX.
 6. RETENTION STRENGTH: 50N MIN. FOR 60S±5S
- ENVIRONMENTAL:
1. STORAGE: 0°C TO +70°C RELATIVE HUMIDITY < 80%
 2. GUARANTEE PERIOD: 6 MONTHS
 3. OPERATION: 0°C TO +70°C

C RoHS Compliant

		温州意华连接器股份有限公司 WENZHOU YIHUA CONNECTOR CO., LTD		TOLERANCES 0~15 ±0.15 15~30 ±0.20 30~50 ±0.25 50~ ±0.30 ANGLES: ±1°		MATERIAL: FINISH: SHEET 1 OF 1		Designed: Checked: Approved:		NAME: 623P DWG NO: PART NO:	
THIRD ANGLE PROJECTION		A4 SCALE 1:1 UNIT mm MODEL NO:		1:1 mm MODEL NO:		1:1 mm MODEL NO:		Approved:		REV.	