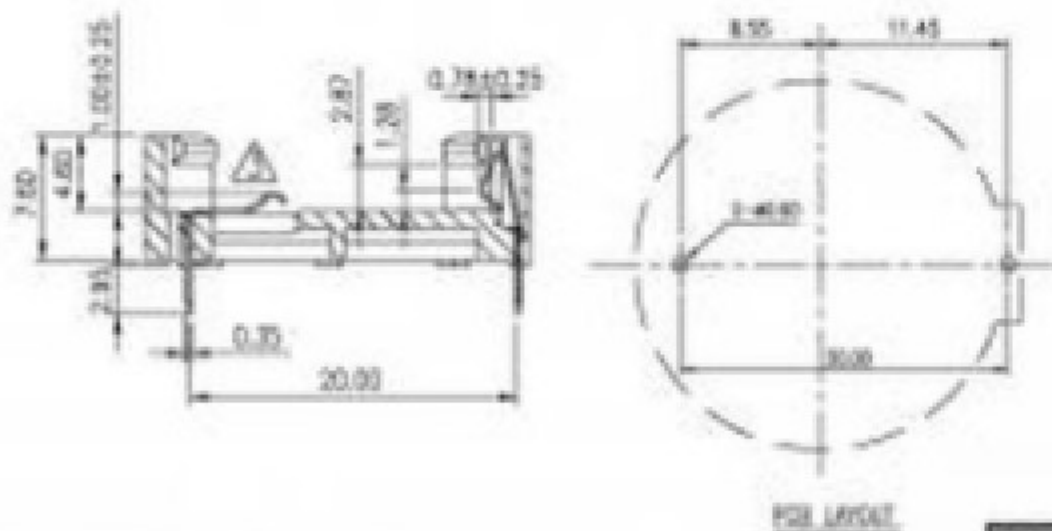


NOTES:  
 MATERIAL:  $\Delta$   
 BODY: D95E N/D CLASS FIBER BLACK  
 CONTACT: PHOSPHOR BRONZE  
 FINISH:  
 CONTACT: SN ONLY (MITE) 100 $\mu$  PLATED OVER  
 RE 30 $\mu$  UNDER-PLATING  
 SPECIFICATION:  
 APPLICATION: FOR 3V LITHIUM BATTERY (CR2032)  
 CONTACT RESISTANCE: 30 m $\Omega$  MAX.  
 INSULATOR RESISTANCE: 5000 M $\Omega$  MIN.  
 OPERATOR TEMPERATURE: -50 $^{\circ}$ C TO +100 $^{\circ}$ C  
 DURABILITY: 50 CYCLES



PHOSPHOR BRONZE	TIN/NON LEAD
PHOSPHOR BRONZE (MITE SN)	TIN/NON LEAD
CONTACT MATERIAL	CONTACT FINISH

RoHS Compliant	 <b>玄茂科技股份有限公司</b> <b>HSUAN MAO TECHNOLOGY CO., LTD.</b>	
Hedy Yumi 2008/06/30	 Hedy Yumi 2008/06/30	PART NAME $\Delta$ & BATTERY HOLDERS 847 TYPE BLACK INSULATOR ROHS LOW LEAD PART NO. 0170-02STB00XR