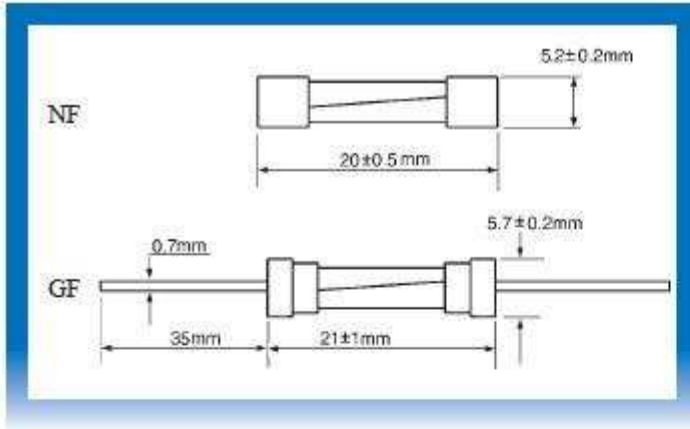


GLASS TUBE FUSE (FAST-BLOW)

Product Model:ZH214

INTERRUPTING RATING:
35A OR 10In WHICHEVER IS
GREATER

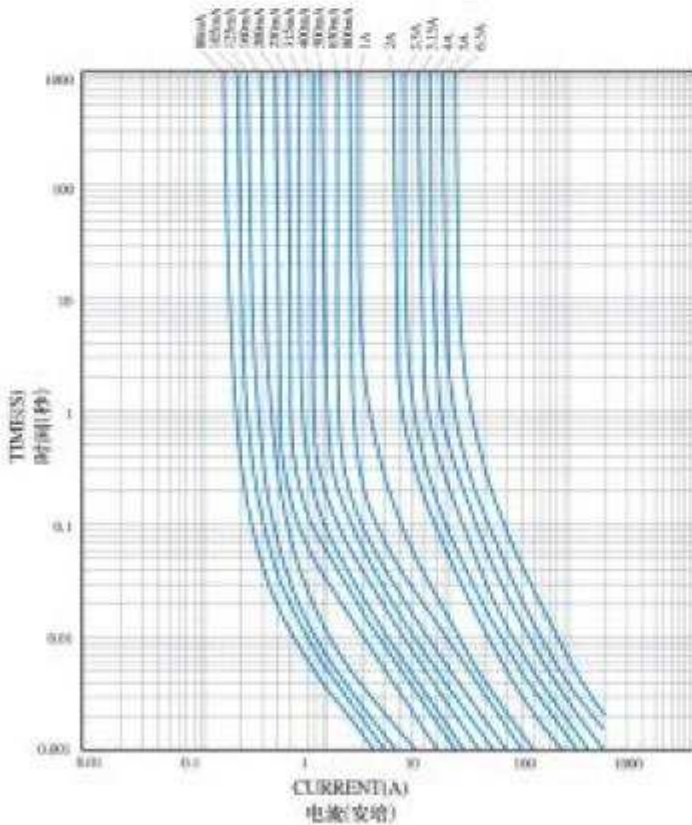


电气特性 ELECTRICAL CHARACTERISTICS

额定 RATING		熔断时间 BLOWING TIME
2.1In	Max(最慢)	30min
2.75In	Min(最快)	50ms
	Max(最慢)	2sec
4In	Min(最快)	10ms
	Max(最慢)	300ms
10In	Max(最慢)	20ms

I-T CHARACTERISTICS CURVE

电流-时间曲线图



产品目录 Product Model	额定电流 Rating Current	额定电压(V) Rating Voltage
ZH214-0100	100mA	250
ZH214-0125	125mA	250
ZH214-0160	160mA	250
ZH214-0200	200mA	250
ZH214-0250	250mA	250
ZH214-0315	315mA	250
ZH214-0400	400mA	250
ZH214-0500	500mA	250
ZH214-0630	630mA	250
ZH214-0800	800mA	250
ZH214-010	1A	250
ZH214-013	1.25A	250
ZH214-015	1.5A	250
ZH214-016	1.6A	250
ZH214-020	2A	250
ZH214-025	2.5A	250
ZH214-030	3A	250
ZH214-032	3.15A	250
ZH214-040	4A	250
ZH214-050	5A	250
ZH214-063	6.3A	250