

Data sheet

Commercial Art.No.: 25.372.3253.0

PCB pin header 8313 S / 2 W OB

PCB pin header with pin header, connection method depends on used socket part , 2 poles, pitch: 7.5 mm, type of packing: carton, color: grey



Commercial Art.No.	25.372.3253.0
EAN	4015573197473
Order Unit	100

Certificates / Approvals



Technical data

General

Modular spacing	7.5 mm
Soldering process	Wave soldering
Packaging	Carton
Number of poles	2
Number of levels	1
Marking	No
Fastening	None
Mating direction towards (circuit) board	180°

Technical data

Rated current	12 A
Overvoltage Category I	1000 V
Overvoltage Category II	690 V
Overvoltage Category III	400 V
Rated impulse voltage	6 kV

Technical Data UL/CSA

Voltage UL	300 V
Current field wiring	15 A
Current factory wiring	15 A
Voltage CSA	300 V
Current CSA	15 A

Other

Type of insulation material	Thermoplastic
Color	Grey
Height	8.4 mm
Length	14.4 mm
Depth	12 mm

Material contact base	CuZn
Material contact surface	Sn

Classification

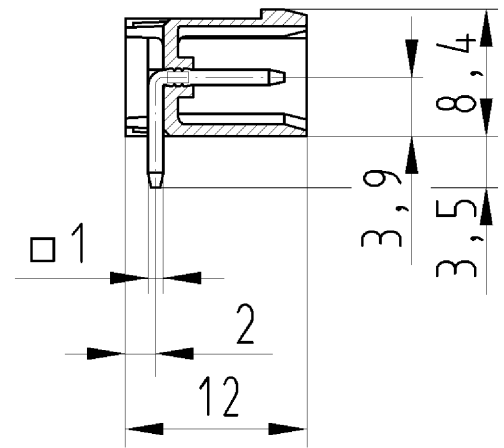
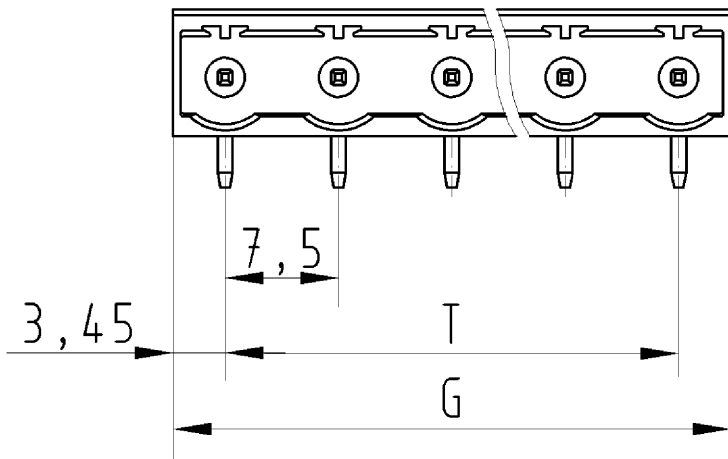
ECLASS 11	
ECLASS 8.1	27440402
ETIM 7.0	EC002637
ETIM 6.0	EC002637
ETIM 5.0	EC002637
ETIM 4.0	EC002637

Product compliance

ROHS conformity status	Compliant
REACH-SVHC conformity status	Compliant

Fits with

Commercial Art.No.:	Article-type description:	Description:
25.360.3253.0	PCB connector 8313 B / 2 OB	PCB female connector with screw connection with rising cage clamp system, 2 poles, max. cross section: 2.5 mm ² , pitch: 7.5 mm, type of packing: carton, color: grey
25.360.0253.0	PCB connector 8313 B / 2	PCB female connector with screw connection with rising cage clamp system, 2 poles, printed version, max. cross section: 2.5 mm ² , pitch: 7.5 mm, type of packing: carton, color: grey



für folgende Tabellen-Zchnng.:
25.372.4253.F 8313 S/..W

LP-STIFTLISTE
25.372.3253.0 10W
09.11.2007 SCJ
M 2:1