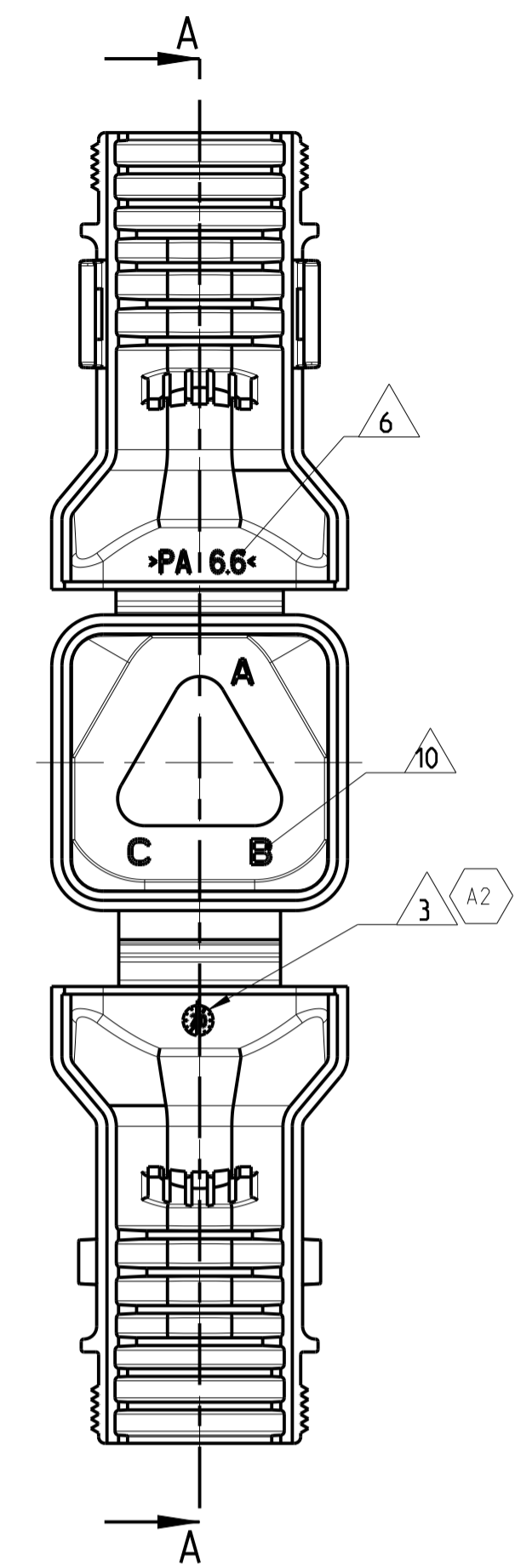
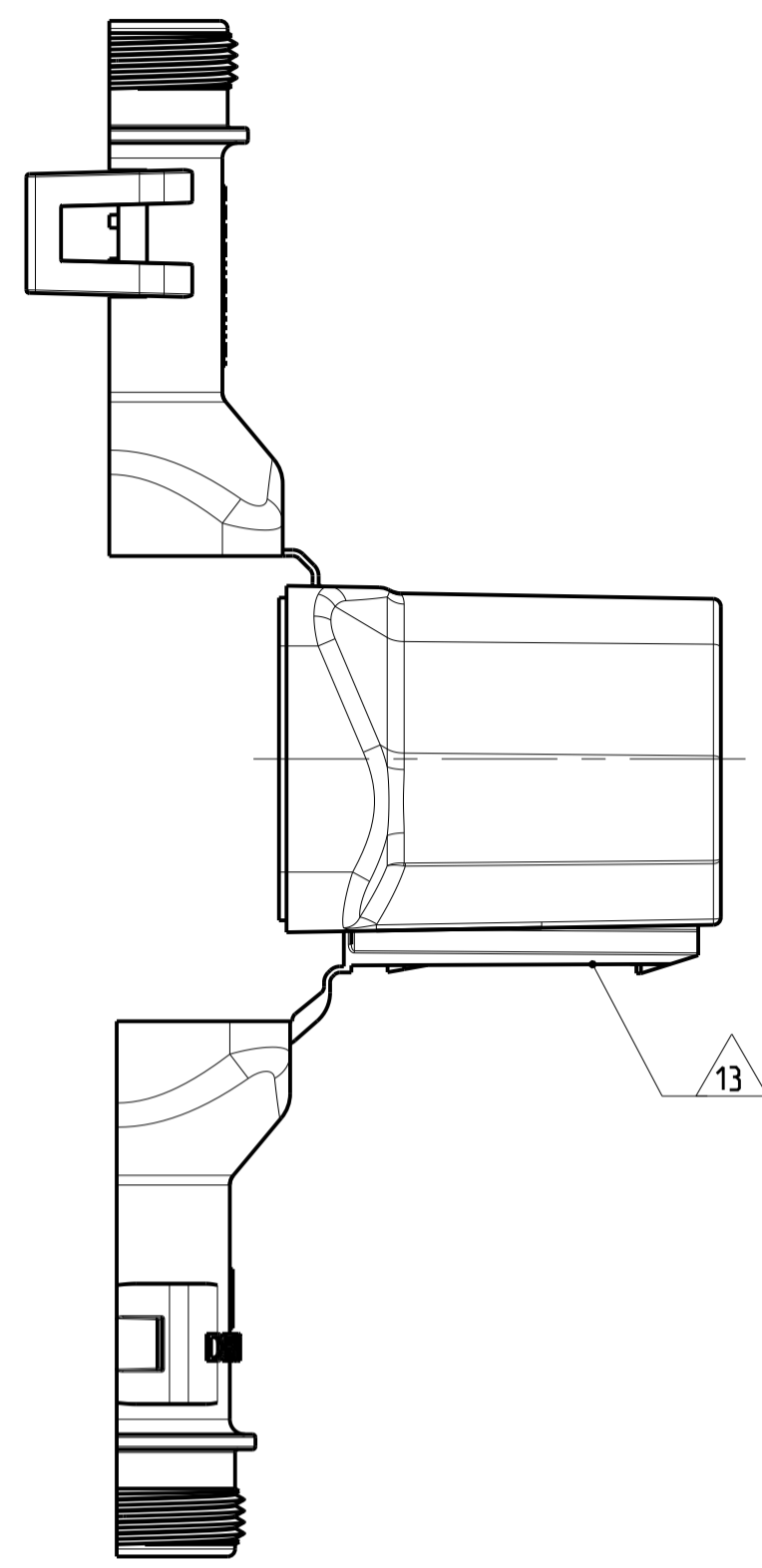
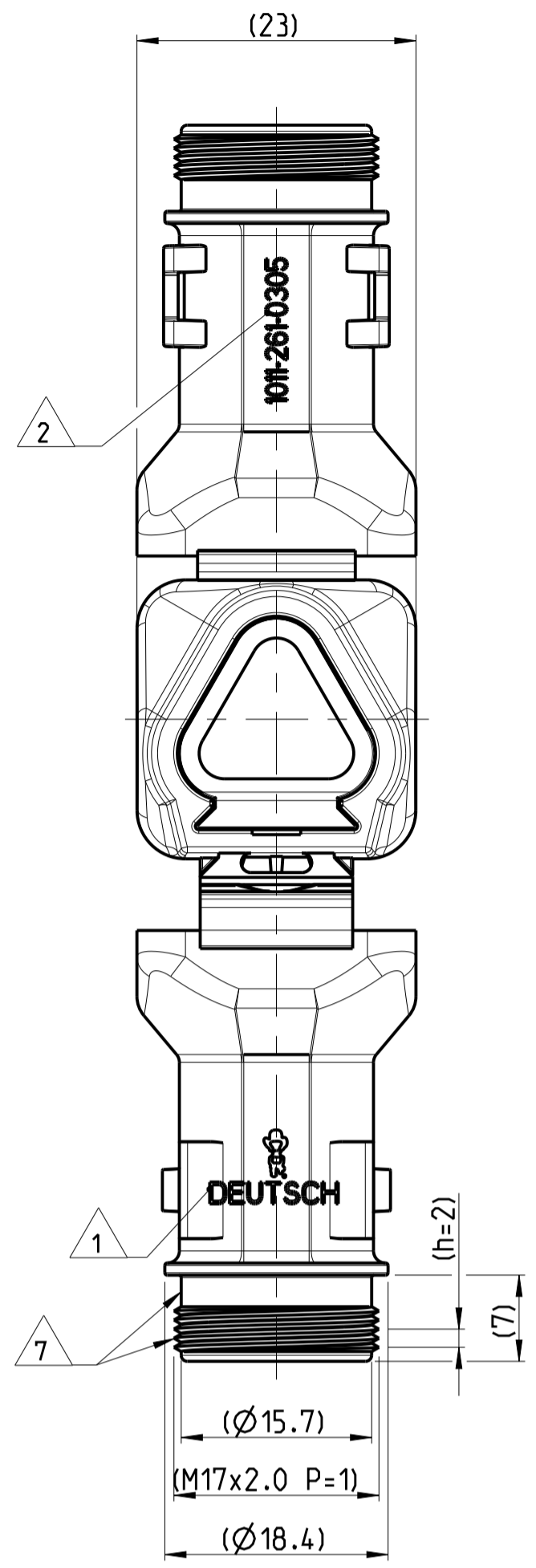


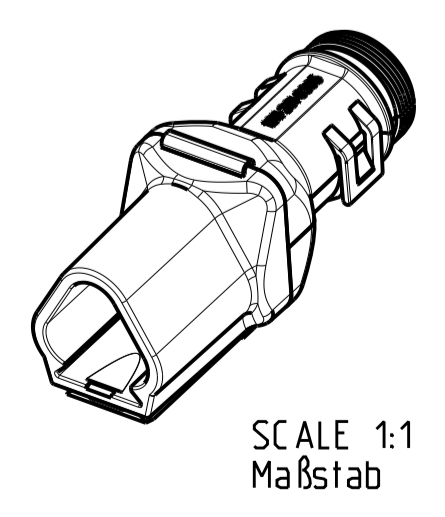
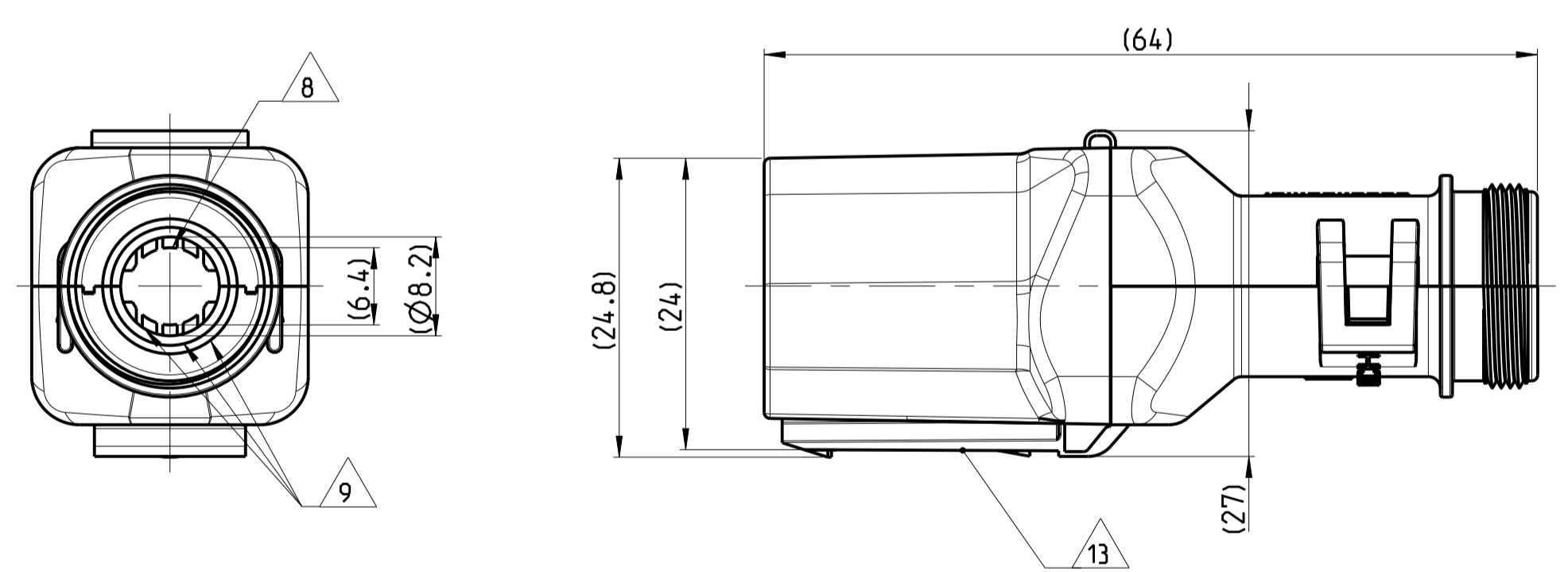
LOC	DIST	REV	DATE	APPV
A1	-	A	01AUG2013	AS CF
		A1	28MAY2018	SM CF
		A2	13OCT2020	CK GL

12 DELIVERY CONDITION AS SHOWN
 Lieferzustand wie gezeigt

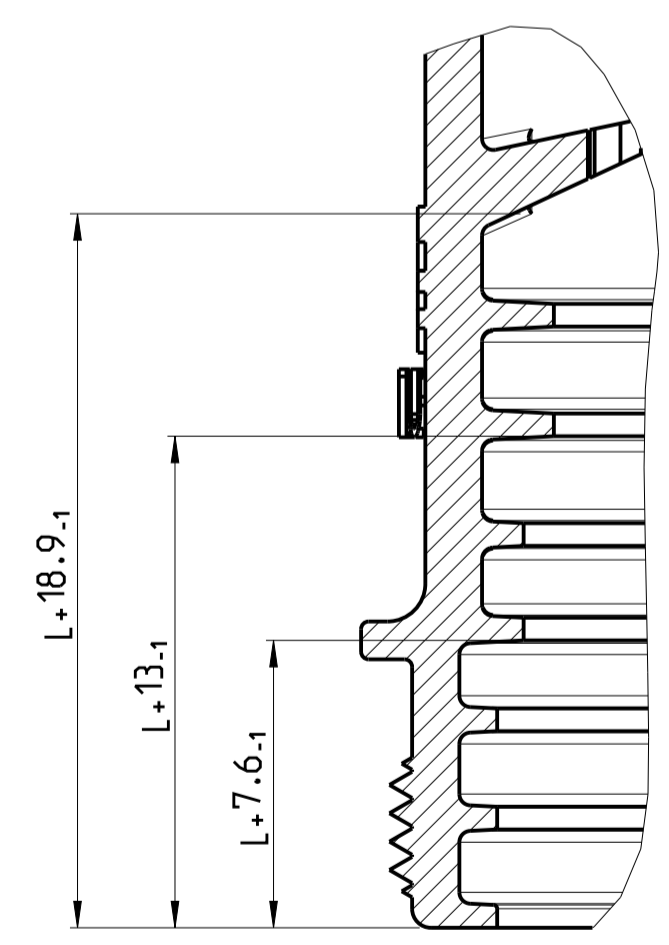


- NOTES
 Bemerkungen
- 1 DEUTSCH LOGO
DEUTSCH Logo
 - 2 DEUTSCH PART-NO
DEUTSCH Teil-Nr.
 - 3 PRODUCTION DATE
Produktionsdatum
 - 4 BULK PACKAGING IN CORRUGATED BOX
Schuetftigt im Karton
 - 5 MALFUNCTION CAUSED BY LAQUER IS
NOT COVERED BY TE WARRANTY
Funktionsbeeintraechtigung durch Lackieren liegt
nicht im Einfluss und Gewaehrleistungsumfang von TE
 - 6 MATERIAL MARKING ACCORDING TO VDA 260
Werkstoffkennzeichnung nach VDA 260
 - 7 FOR HEAT-SHRINK TUBING AND TUBE WITH TIE WRAP
Fuer Schrumpfschlauch und Schlauch mit Kabelschelle
 - 8 STRAIN RELIEF FOR SHEATED CABLES
Zugentlastung fuer Mantelkabel
FROM / von Ø6.8 UP TO / bis Ø8.2
 - 9 FOR CORRUGATED TUBES: NW 6/7.5/8.5/10
Fuer Wellrohre: NW 6/7.5/8.5/10
 - 10 CAVITY MARKING
Kammerbezeichnung
 - 11 MATED WITH ALL MODIFICATION OF DT04-3P
(WITHOUT ANY WELDED / MOUNTED PARTS)
Passend zu allen Varianten von DT04-3P
(ohne verschweißte / montierte Teile)
 - 12 BASED ON THE HINGE MECHANISM OF THE CAP,
THE DELIVERY CONDITION CAN BE DIFFERENT
TO THE SHOWN STATUS.
Basierend auf dem Klappmechanismus der Kappe, kann der
Lieferzustand von der dargestellten Ansicht abweichen.
 - 13 DOVE TAIL FOR DIV. BRACKETS AND ATTACHMENT CLIPS
Schwalbenschwanz fuer div. Befestigungsbugel und - Clipse

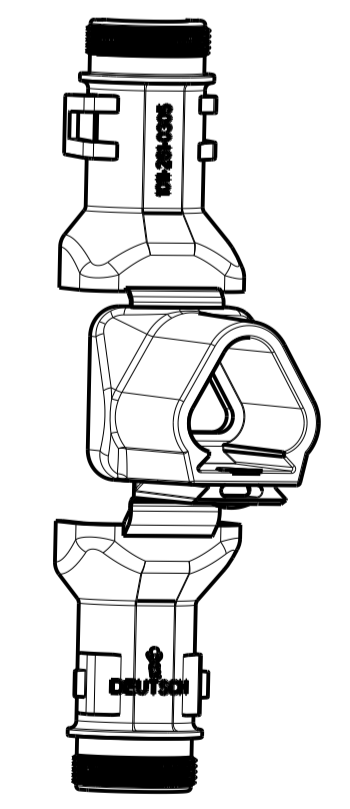
CLOSED (MOUNTED) CONDITION AS SHOWN
 Geschlossener (montierter) Zustand wie gezeigt



SECTION A-A
 Schnitt
 SCALE 5:1
 Maßstab



L+ = ADD LENGTH FOR CORRUGATED TUBE
 = Zus. Länge des Wellrohr



TOLERANCES UNLESS OTHERWISE SPECIFIED ACC. TO DIN 16001-140 CENTRIC TO NOMINAL DIMENSION, EDITION 1982-11. Freimaßtoleranzen nach DIN 16001-140. Es gilt die Ausgabe 1982-11.		DIESE ZEICHNUNG IST EIN KONTROLLIERTES DOKUMENT. BEMESSUNGEN UND TOLERANZEN GEMAESS GPS (ISO STANDARDS).		THIS DRAWING IS A CONTROLLED DOCUMENT. DIMENSIONING AND TOLERANCING PER GPS (ISO STANDARDS).	
DIMENSIONS: MASSENMETER (mm)	TOLERANCES UNLESS OTHERWISE SPECIFIED: ALL GENERAL DIMENSIONS: ±0.10	DRAWN: ASIF	DATE: 01AUG2013	NAME: C.F. INZER	DATE: 02AUG2013
1: ±0.10	2: ±0.10	CHK: C.F. INZER	DATE: 02AUG2013	NAME: C.F. INZER	DATE: 02AUG2013
3: ±0.10	4: ±0.10	APPROVED: C.F. INZER	DATE: 02AUG2013	NAME: C.F. INZER	DATE: 02AUG2013
5: ±0.10	6: ±0.10	APPROVED: C.F. INZER	DATE: 02AUG2013	NAME: C.F. INZER	DATE: 02AUG2013
7: ±0.10	8: ±0.10	APPROVED: C.F. INZER	DATE: 02AUG2013	NAME: C.F. INZER	DATE: 02AUG2013
9: ±0.10	10: ±0.10	APPROVED: C.F. INZER	DATE: 02AUG2013	NAME: C.F. INZER	DATE: 02AUG2013
11: ±0.10	12: ±0.10	APPROVED: C.F. INZER	DATE: 02AUG2013	NAME: C.F. INZER	DATE: 02AUG2013
13: ±0.10	14: ±0.10	APPROVED: C.F. INZER	DATE: 02AUG2013	NAME: C.F. INZER	DATE: 02AUG2013
15: ±0.10	16: ±0.10	APPROVED: C.F. INZER	DATE: 02AUG2013	NAME: C.F. INZER	DATE: 02AUG2013
17: ±0.10	18: ±0.10	APPROVED: C.F. INZER	DATE: 02AUG2013	NAME: C.F. INZER	DATE: 02AUG2013
19: ±0.10	20: ±0.10	APPROVED: C.F. INZER	DATE: 02AUG2013	NAME: C.F. INZER	DATE: 02AUG2013
21: ±0.10	22: ±0.10	APPROVED: C.F. INZER	DATE: 02AUG2013	NAME: C.F. INZER	DATE: 02AUG2013
23: ±0.10	24: ±0.10	APPROVED: C.F. INZER	DATE: 02AUG2013	NAME: C.F. INZER	DATE: 02AUG2013
25: ±0.10	26: ±0.10	APPROVED: C.F. INZER	DATE: 02AUG2013	NAME: C.F. INZER	DATE: 02AUG2013
27: ±0.10	28: ±0.10	APPROVED: C.F. INZER	DATE: 02AUG2013	NAME: C.F. INZER	DATE: 02AUG2013
29: ±0.10	30: ±0.10	APPROVED: C.F. INZER	DATE: 02AUG2013	NAME: C.F. INZER	DATE: 02AUG2013
31: ±0.10	32: ±0.10	APPROVED: C.F. INZER	DATE: 02AUG2013	NAME: C.F. INZER	DATE: 02AUG2013
33: ±0.10	34: ±0.10	APPROVED: C.F. INZER	DATE: 02AUG2013	NAME: C.F. INZER	DATE: 02AUG2013
35: ±0.10	36: ±0.10	APPROVED: C.F. INZER	DATE: 02AUG2013	NAME: C.F. INZER	DATE: 02AUG2013
37: ±0.10	38: ±0.10	APPROVED: C.F. INZER	DATE: 02AUG2013	NAME: C.F. INZER	DATE: 02AUG2013
39: ±0.10	40: ±0.10	APPROVED: C.F. INZER	DATE: 02AUG2013	NAME: C.F. INZER	DATE: 02AUG2013
41: ±0.10	42: ±0.10	APPROVED: C.F. INZER	DATE: 02AUG2013	NAME: C.F. INZER	DATE: 02AUG2013
43: ±0.10	44: ±0.10	APPROVED: C.F. INZER	DATE: 02AUG2013	NAME: C.F. INZER	DATE: 02AUG2013
45: ±0.10	46: ±0.10	APPROVED: C.F. INZER	DATE: 02AUG2013	NAME: C.F. INZER	DATE: 02AUG2013
47: ±0.10	48: ±0.10	APPROVED: C.F. INZER	DATE: 02AUG2013	NAME: C.F. INZER	DATE: 02AUG2013
49: ±0.10	50: ±0.10	APPROVED: C.F. INZER	DATE: 02AUG2013	NAME: C.F. INZER	DATE: 02AUG2013
51: ±0.10	52: ±0.10	APPROVED: C.F. INZER	DATE: 02AUG2013	NAME: C.F. INZER	DATE: 02AUG2013
53: ±0.10	54: ±0.10	APPROVED: C.F. INZER	DATE: 02AUG2013	NAME: C.F. INZER	DATE: 02AUG2013
55: ±0.10	56: ±0.10	APPROVED: C.F. INZER	DATE: 02AUG2013	NAME: C.F. INZER	DATE: 02AUG2013
57: ±0.10	58: ±0.10	APPROVED: C.F. INZER	DATE: 02AUG2013	NAME: C.F. INZER	DATE: 02AUG2013
59: ±0.10	60: ±0.10	APPROVED: C.F. INZER	DATE: 02AUG2013	NAME: C.F. INZER	DATE: 02AUG2013
61: ±0.10	62: ±0.10	APPROVED: C.F. INZER	DATE: 02AUG2013	NAME: C.F. INZER	DATE: 02AUG2013
63: ±0.10	64: ±0.10	APPROVED: C.F. INZER	DATE: 02AUG2013	NAME: C.F. INZER	DATE: 02AUG2013
65: ±0.10	66: ±0.10	APPROVED: C.F. INZER	DATE: 02AUG2013	NAME: C.F. INZER	DATE: 02AUG2013
67: ±0.10	68: ±0.10	APPROVED: C.F. INZER	DATE: 02AUG2013	NAME: C.F. INZER	DATE: 02AUG2013
69: ±0.10	70: ±0.10	APPROVED: C.F. INZER	DATE: 02AUG2013	NAME: C.F. INZER	DATE: 02AUG2013
71: ±0.10	72: ±0.10	APPROVED: C.F. INZER	DATE: 02AUG2013	NAME: C.F. INZER	DATE: 02AUG2013
73: ±0.10	74: ±0.10	APPROVED: C.F. INZER	DATE: 02AUG2013	NAME: C.F. INZER	DATE: 02AUG2013
75: ±0.10	76: ±0.10	APPROVED: C.F. INZER	DATE: 02AUG2013	NAME: C.F. INZER	DATE: 02AUG2013
77: ±0.10	78: ±0.10	APPROVED: C.F. INZER	DATE: 02AUG2013	NAME: C.F. INZER	DATE: 02AUG2013
79: ±0.10	80: ±0.10	APPROVED: C.F. INZER	DATE: 02AUG2013	NAME: C.F. INZER	DATE: 02AUG2013
81: ±0.10	82: ±0.10	APPROVED: C.F. INZER	DATE: 02AUG2013	NAME: C.F. INZER	DATE: 02AUG2013
83: ±0.10	84: ±0.10	APPROVED: C.F. INZER	DATE: 02AUG2013	NAME: C.F. INZER	DATE: 02AUG2013
85: ±0.10	86: ±0.10	APPROVED: C.F. INZER	DATE: 02AUG2013	NAME: C.F. INZER	DATE: 02AUG2013
87: ±0.10	88: ±0.10	APPROVED: C.F. INZER	DATE: 02AUG2013	NAME: C.F. INZER	DATE: 02AUG2013
89: ±0.10	90: ±0.10	APPROVED: C.F. INZER	DATE: 02AUG2013	NAME: C.F. INZER	DATE: 02AUG2013
91: ±0.10	92: ±0.10	APPROVED: C.F. INZER	DATE: 02AUG2013	NAME: C.F. INZER	DATE: 02AUG2013
93: ±0.10	94: ±0.10	APPROVED: C.F. INZER	DATE: 02AUG2013	NAME: C.F. INZER	DATE: 02AUG2013
95: ±0.10	96: ±0.10	APPROVED: C.F. INZER	DATE: 02AUG2013	NAME: C.F. INZER	DATE: 02AUG2013
97: ±0.10	98: ±0.10	APPROVED: C.F. INZER	DATE: 02AUG2013	NAME: C.F. INZER	DATE: 02AUG2013
99: ±0.10	100: ±0.10	APPROVED: C.F. INZER	DATE: 02AUG2013	NAME: C.F. INZER	DATE: 02AUG2013

ORDER-NO. Bestell-Nr.	REV.	WEIGHT (g)	MATERIAL	COLOUR Farbe	DESCRIPTION Beschreibung	ITEM
1011-261-0305	A	9.2	NYLON 6/6	BLACK schwarz	COVER WITH STRAIN RELIEF Kappe mit Zugentlastung	1