

## Data sheet

Commercial Art.No.: 25.179.0253.0

Printed circuit board terminal 8291 E / 2 / 4

PCB terminal with screw connection with rising cage clamp system, 2 poles, printed version, with solder pin (3.5mm), max. cross section: 2.5 mm<sup>2</sup>, pitch: 5.08 mm, type of packing: carton, color: grey



Commercial Art.No.	25.179.0253.0
EAN	4015573178014
Order Unit	50

Certificates / Approvals



## Technical data

### General

Modular spacing	5.08 mm
Connection type	screw connection
Soldering process	Wave soldering
Packaging	Carton
Number of poles	4
Conductor to circuit board	180°
Number of levels	2
Integrated test socket	yes
Insulation plate	No
Retaining pins	No
Marking	yes

### Technical data

Nominal cross section	2.5 mm <sup>2</sup>
Rated current	16 A
Overtoltage Category I	1000 V
Overtoltage Category II	690 V
Overtoltage Category III	250 V
Rated impulse voltage	4 kV
Wire strip length	6.5 mm

### Connection Data

Minimum cross section solid	0.14 mm <sup>2</sup>
-----------------------------	----------------------

Maximum cross section solid	2.5 mm <sup>2</sup>
Minimum cross section fine stranded	0.14 mm <sup>2</sup>
Maximum cross section fine stranded	2.5 mm <sup>2</sup>
Wire strip length	6.5 mm

**Technical Data UL/CSA**

Cross section UL	22-12 AWG
Voltage UL	300 V
Current field wiring	20 A
Current factory wiring	30 A
Cross section CSA	22-12 AWG
Voltage CSA	300 V
Current CSA	25 A

**Other**

Type of insulation material	Thermoplastic
Color	Grey
Height	27.5 mm
Length	13.25 mm
Depth	21.5 mm
Material attachment screw	Steel
Material contact base	E-Cu
Material contact surface	Sn

**Note**

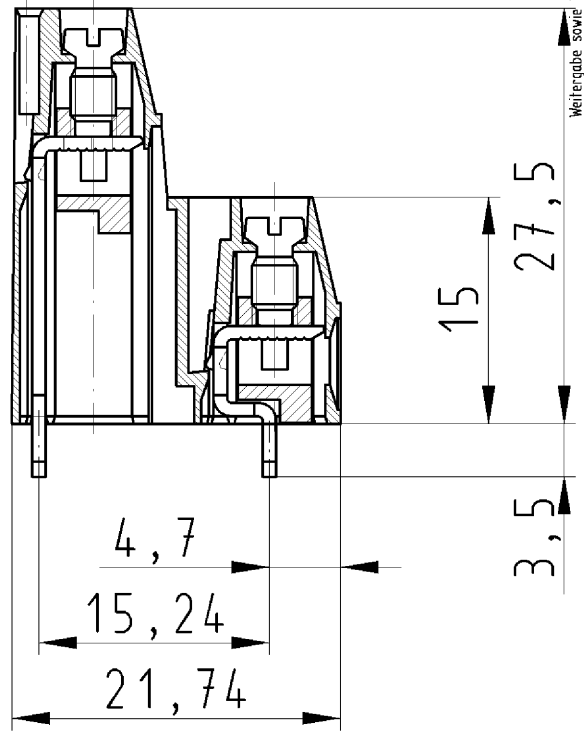
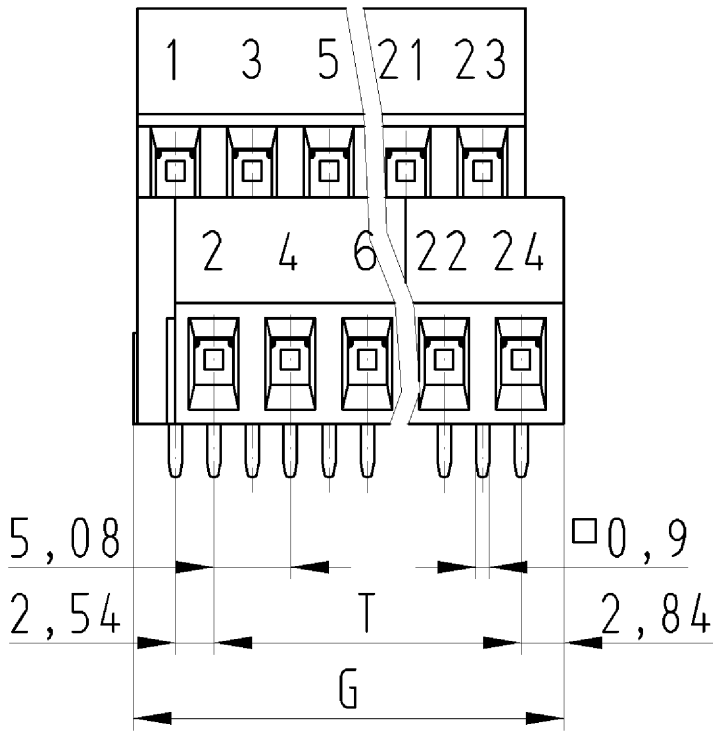
Note	with wire H05V...
------	-------------------

**Classification**

ECLASS 11	
ECLASS 8.1	27440401
ETIM 7.0	EC002643
ETIM 6.0	EC002643
ETIM 5.0	EC002643
ETIM 4.0	EC002643

**Product compliance**

ROHS conformity status	Compliant/Exempted
ROHS exceptions	III-6(c)
REACH-SVHC conformity status	Duty-To-Declare
REACH-SVHC substances	Lead
REACH-SVHC CAS numbers	7439-92-1



Weitergabe sowie Vervielfältigung dieses Dokuments, Verwertung und Mitteilung seines Inhalts sind verboten, soweit nicht ausdrücklich gestattet. Die reproduction, distribution and utilization of this document as well as the communication of its contents to others without express authorization is prohibited.

für folgende Tabellen-Zchnng.:  
 25.179.0253.0 8291 E/ ..

LP. ETAGENKLEMME  
 25.179.0253.0 10W  
 13.11.2007 TRE  
 M 2:1