

Data sheet

Commercial Art.No.: 56.510.9255.0

Earth terminal WKI 10 SL / 35/V0

Ground terminal with Screw connection for mounting on TS 35, nominal cross section: 10 mm², width: 10 mm, color: Green-yellow



Commercial Art.No.	56.510.9255.0
EAN	4015573571051
Order Unit	50

Certificates / Approvals



Technical data

General

Nominal cross section	10 mm ²
Color	Green/yellow
Number of levels	1
Number of clamp positions per level	2
Width/grid dimension	10 mm
Insulating housing	PA666
Inflammability class of insulation material acc. with UL94	V0
Mounting method	DIN rail (top hat rail) 35/7.5 mm
Terminal blocks for electrical installations	yes

Technical data

Rated voltage	800 V
Rated impulse voltage	8 kV
Pollution degree	3
Closing plate required	yes
Type of insulation material	Thermoplastic
Length	58 mm

Connection Data

Connection type 1	screw connection
Connection type 2	screw connection
Minimum cross section solid	1.5 mm ²
Maximum cross section solid	10 mm ²

Minimum cross section fine stranded	1 mm ²
Maximum cross section fine stranded	10 mm ²
Minimum cross section stranded	16 mm ²
Maximum cross section stranded	16 mm ²
Wire strip length	18 mm
Torque conductor mounting	2 Nm
Torque rail mounting	1,2

Technical Data UL/CSA

Cross section UL	16-6 AWG
Voltage UL	600 V
Cross section CSA	16-6 AWG
Voltage CSA	600 V

Classification

ECLASS 11	
ECLASS 8.1	27141141
ETIM 7.0	EC000901
ETIM 6.0	EC000901
ETIM 5.0	EC000901
ETIM 4.0	EC000901
ETIM 3.0	EC000901

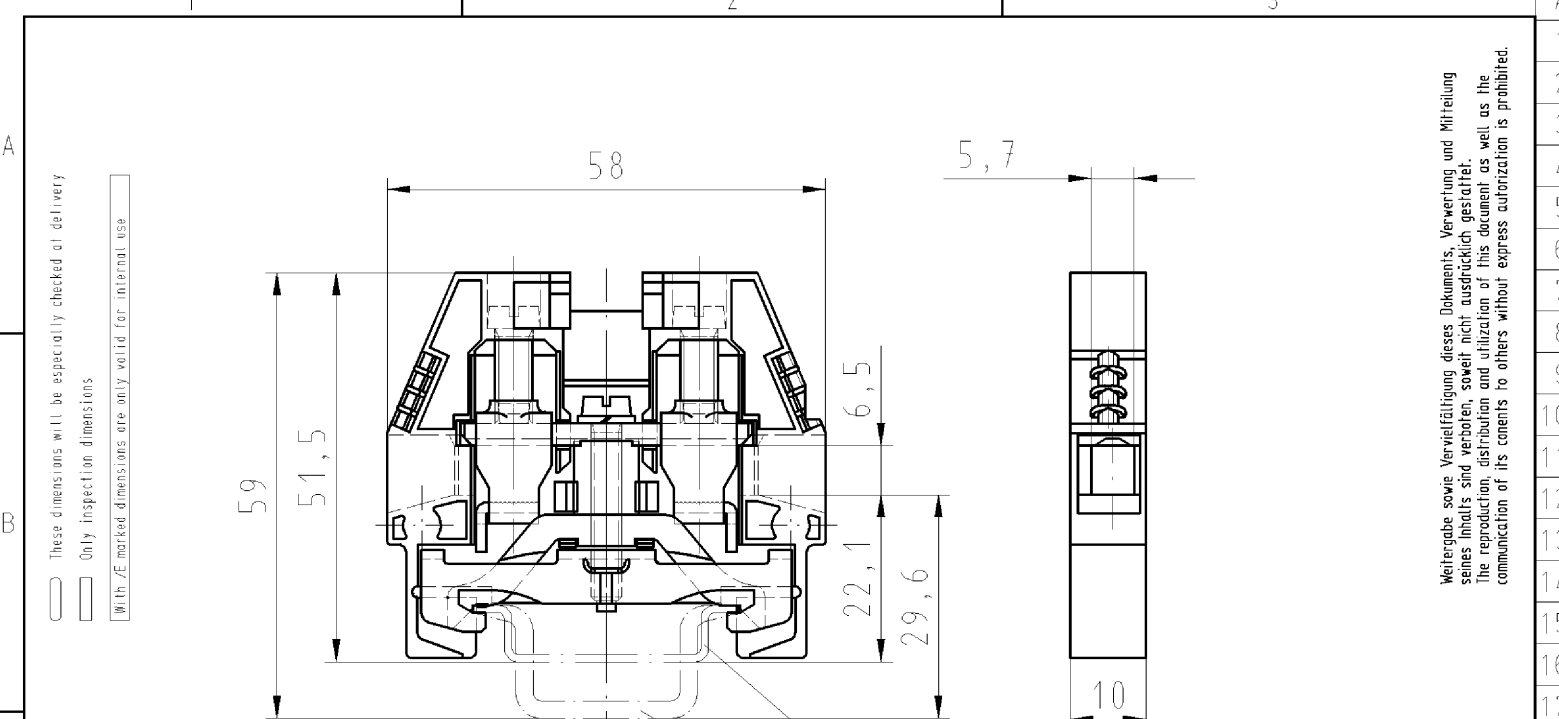
Product compliance

ROHS conformity status	Compliant/Exempted
ROHS exceptions	III-6(c)
REACH-SVHC conformity status	Duty-To-Declare
REACH-SVHC substances	Lead
REACH-SVHC CAS numbers	7439-92-1

Accessories

Commercial Art.No.:	Article-type description:	Description:
98.300.0000.0	Mounting rail TS 35x7,5 UNPERF - l:2000mm	Mounting rail TS 35, unslotted, size 7,5 mm, length 2 m, material steel. galv. zinc-plated and dichromated
98.300.1000.0	Mounting rail TS 35x7,5 PERF 15mm - l:2000mm	Mounting rail TS 35, slotted, size 7,5 mm, length 2 m, material steel. galv. zinc-plated and dichromated
98.300.1900.0	Mounting rail TS 35x7,5 PERF 25mm - l:2000mm	Mounting rail TS 35, slotted, size 7,5 mm, length 2 m, material steel. galv. zinc-plated and dichromated
98.360.0000.0	Mounting rail TS 35x15-2,3 UNPERF - l:2000mm	Mounting rail TS 35, unslotted, size 15 mm, length 2 m, material steel. galv. zinc-plated and dichromated
98.360.0004.0	Mounting rail TS 35x15-2,3 UNPERF FZN - l:2000mm	Mounting rail TS 35, unslotted, size 15 mm, length 2 m, material steel, hot galvanized
98.370.0000.0	Mounting rail TS 35x15 UNPERF - l:2000mm	Mounting rail TS 35, unslotted, size 15 mm, length 2 m, material steel. galv. zinc-plated and dichromated
98.370.1000.0	Mounting rail TS 35x15 PERF 15mm - l:2000mm	Mounting rail TS 35, slotted, size 15 mm, length 2 m, material steel. galv. zinc-plated and dichromated
98.380.0000.0	Mounting rail TS 35x15-2,3 UNPERF CU - l:2000mm	Mounting rail TS 35, unslotted, size 15 mm, length 2 m, material E copper
07.311.9555.0	End plate API 10 - 16 SL/V0	End plate for DIN rail terminal blocks type WKI 10 SL... und WKI 16 SL..., color: grey

98.300.1800.0	Mounting rail TS 35x7,5 PERF 18mm - l:2000mm	Mounting rail TS 35, slotted, size 7,5 mm, length 2 m, material steel. galv. zinc-plated and dichromated
---------------	--	--



These dimensions will be especially checked at delivery
 Only inspection dimensions
 With /E marked dimensions are only valid for internal use

Diese Maße werden bei Abnahme besonders geprüft
 Ausschließlich Prüfmaße
 Mit /E gekennzeichnete Maße sind nur für interne Zwecke gültig

Hutschiene EN 60715-35x7,5
 mounting rail EN 60715-35x7,5
 Hutschiene EN 60715-35x15
 mounting rail EN 60715-35x15

Weitere Daten siehe Katalog
 further data see catalog

* special package

Teilenummer part number	Typ type	Farbe colour
56.510.9255.0	WKI 10 SL/35/V0	grün
* 56.510.9295.0	WKI 10 SL/35/V0	grün

Tolerierung nach DIN 7167/Tolerance system acc. to DIN 7167.
 (This DIN-standard describes the envelope principle. According to the envelope principle the deviations of form and parallelism are limited by the size tolerances).
 ja/yes Stoffverbots- und Deklarationsliste nach UU-TQM-05/03 ist einzuhalten.
 Conformity with Wieland document UU-TQM-05/03 (list of prohibited / declarable hazardous substances) to be declared!

Freitoleranz nach General tolerance CAD - Zeichnung, keine manuellen Änderungen CAD - drawing, no manual modifications allowed 1.Verwendung: First Use: Blatt: 1 von 1 Sheet: 1 of 1

Werkstoff/Material		2006	Tag/Date	Name	Zeichnung Nr./Drawing No.		Index
		gezeichnet drawn	09.08.	Schmitt J.	56.510.9255.0 01K		
Maßstab/Scale		geprüft checked	-	-			
1:1		Normgepr. Stand. check	-	-			
Vol.		Ersatz für/Replacement for: -					
mm³ Offl./Surf.		mm²					
wieland		Type		Benennung/Tittle			
Elektrische Verbindungen		WKI 10 SL/35/V0		SCHUTZLEITERKLEMME			
Index		Datum / Blatt Date / Sheet		10mm² Ground block for TS 35			
Änderung/Revision							

Weitergabe sowie Vervielfältigung dieses Dokuments, Verwertung und Mitteilung seines Inhalts sind verboten, soweit nicht ausdrücklich gestattet.
 The reproduction, distribution and utilization of this document as well as the communication of its contents to others without express authorization is prohibited.

1.000
 565109255001K_4_CADW1042_Schmitt 2006-08-10T07:57:59