

Data sheet

Commercial Art.No.: 27.341.3853.0

PCB connector 8213 B / 8 S OB

PCB female connector, 8 poles, pitch: 5.08 mm, type of packing: carton,color: grey



Commercial Art.No.	27.341.3853.0
EAN	4015573687455
Order Unit	50

Certificates / Approvals



Technical data

General

Modular spacing	5.08 mm
Connection type	screw connection
Soldering process	None
Packaging	Carton
Number of poles	8
Marking	No
Fastening	None
Mating direction towards connector	45°

Technical data

Nominal cross section	2.5 mm ²
Rated current	12 A
Overvoltage Category I	400 V
Overvoltage Category II	400 V
Overvoltage Category III	250 V
Rated impulse voltage	4 kV
Wire strip length	8 mm

Connection Data

Minimum cross section solid	0.5 mm ²
Maximum cross section solid	2.5 mm ²
Minimum cross section fine stranded	0.5 mm ²
Maximum cross section fine stranded	2.5 mm ²
Wire strip length	8 mm

Technical Data UL/CSA

Cross section UL	28-12 AWG
Voltage UL	300 V
Current field wiring	10 A
Current factory wiring	10 A
Cross section CSA	28-12 AWG
Voltage CSA	300 V
Current CSA	10 A

Other

Type of insulation material	Thermoplastic
Color	Grey
Height	23.3 mm
Length	40.64 mm
Depth	15.4 mm
Material attachment screw	Steel
Material contact base	CuSn
Material contact surface	Sn

Classification

ECLASS 11	
ECLASS 8.1	27440402
ETIM 7.0	EC002637
ETIM 6.0	EC002637
ETIM 5.0	EC002637
ETIM 4.0	EC002637

Product compliance

ROHS conformity status	Compliant
REACH-SVHC conformity status	Compliant

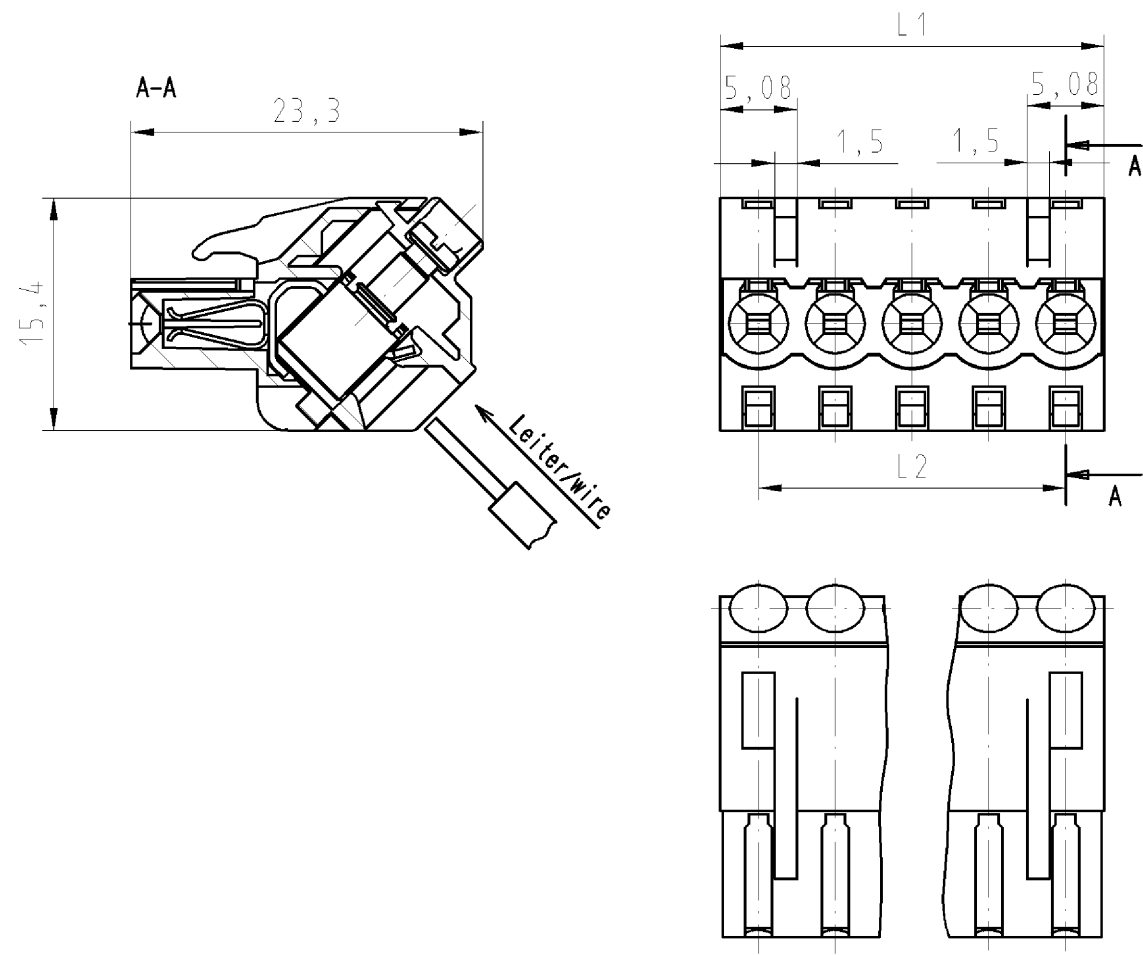
Fits with

Commercial Art.No.:	Article-type description:	Description:
25.352.3853.0	PCB pin header 8213 S / 8 W OB	PCB pin header, connection method depends on used socket part , 8 poles, pitch: 5.08 mm, type of packing: carton, color: grey
25.350.3853.0	PCB pin header 8213 S / 8 G OB	PCB pin header, connection method depends on used socket part , 8 poles, pitch: 5.08 mm, type of packing: carton, color: grey
99.208.9996.2	PCB pin header 8213 S / 8 W OB OF	PCB pin header, connection method depends on used socket part , 8 poles, pitch: 5.08 mm, type of packing: carton, color: white
99.238.9996.1	PCB pin header 8213 S / 8 G OB OF	PCB pin header, connection method depends on used socket part , 8 poles, pitch: 5.08 mm, type of packing: carton, color: black
25.396.3853.0	PCB pin header 8213 S / 8 S OB	PCB pin header, connection method depends on used socket part , 8 poles, pitch: 5.08 mm, type of packing: carton, color: grey
27.356.0853.0	PCB pin header 8213 SEG/ 8/16 W OB	PCB pin header, 8 poles, pitch: 5.08 mm, type of packing: carton, color: grey
26.350.3806.0	PCB pin header 8213 S / 8 G OF OB THR	PCB pin header, connection method depends on used socket part , 8 poles, with solder pin (2.6mm, tin plated), pitch: 5.08 mm, type of packing: carton, color: black, This product can be soldered by reflow and wave soldering,

25.350.3806.0	PCB pin header 8213 S / 8 G OB THR	PCB pin header, connection method depends on used socket part , 8 poles, with solder pin (2.6mm, tin plated), pitch: 5.08 mm, type of packing: carton, color: black, This product can be soldered by reflow and wave soldering,
25.352.3806.0	PCB pin header 8213 S / 8 W OB THR	PCB pin header, connection method depends on used socket part , 8 poles, with solder pin (2.6mm, tin plated), pitch: 5.08 mm, type of packing: carton, color: black, This product can be soldered by reflow and wave soldering,

These dimensions will be especially checked at delivery
Only inspection dimensions
Mit / ZE marked dimensions are only valid for internal use

Diese Maße werden bei Abnahme besonders geprüft
Ausschließlich Prüfmaße
Mit / ZE gekennzeichnete Maße sind nur für interne Zwecke gültig



gezeichnet/drawn:
27.341.3553.0

Technische Daten
Technical Data

	VDE	UL	CSA
Bemessungsspannung V rated voltage	250	300	300
Bemessungsstrom A rated current	12	10	10
Anschlußbereich max.mm ² /AWG connection range	2,5	12	12
Brennbarkeitsklasse UL 94 V-0 flamability rating UL 94 V-0			
Klemmschraube M2,5 clamping screw			
Verschmutzungsgrad 3/Überspannungskategorie III pollution degree 3/overvoltage category III			

Kontaktbasismaterial contact basis material	CuSn6 Kontakt K 62
Diffusionssperre diffusion barrier	Cu 2-3µm
Kontaktoberfläche contact surface	Sn 4-6µm
Isoliermaterial insulating material	PBT

Teile-Nr. part no.	Typ type	Polzahl pole	L1	L2
27.341.3253.0	8213 B / 2 S OB	2	10,16	5,08
27.341.3353.0	8213 B / 3 S OB	3	15,24	10,16
27.341.3453.0	8213 B / 4 S OB	4	20,32	15,24
27.341.3553.0	8213 B / 5 S OB	5	25,40	20,32
27.341.3653.0	8213 B / 6 S OB	6	30,48	25,40
27.341.3753.0	8213 B / 7 S OB	7	35,56	30,48
27.341.3853.0	8213 B / 8 S OB	8	40,64	35,56
27.341.3953.0	8213 B / 9 S OB	9	45,72	40,64
27.341.4053.0	8213 B / 10 S OB	10	50,80	45,72
27.341.4153.0	8213 B / 11 S OB	11	55,88	50,80
27.341.4253.0	8213 B / 12 S OB	12	60,96	55,88
27.341.4353.0	8213 B / 13 S OB	13	66,04	60,96
27.341.4453.0	8213 B / 14 S OB	14	71,12	66,04
27.341.4553.0	8213 B / 15 S OB	15	76,20	71,12
27.341.4653.0	8213 B / 16 S OB	16	81,28	76,20
27.341.4753.0	8213 B / 17 S OB	17	86,36	81,28
27.341.4853.0	8213 B / 18 S OB	18	91,44	86,36
27.341.4953.0	8213 B / 19 S OB	19	96,52	91,44
27.341.5053.0	8213 B / 20 S OB	20	101,60	96,52
27.341.5153.0	8213 B / 21 S OB	21	106,68	101,60
27.341.5253.0	8213 B / 22 S OB	22	111,76	106,68
27.341.5353.0	8213 B / 23 S OB	23	116,84	111,76
27.341.5453.0	8213 B / 24 S OB	24	121,92	116,84

Weitere Daten siehe Katalog
further data see catalog

Tolerierung nach DIN 7167/Tolerance system acc. to DIN 7167.
[This DIN-standard describes the envelope principle. According to the envelope principle the deviations of form and parallelism are limited by the size tolerances].

ja/yes Stoffverbots- und Deklarationsliste nach UU-TQM-05/03 ist einzuhalten.
Conformity with Wieland document UU-TQM-05/03 (list of prohibited / declarable hazardous substances) to be declared!

Freitoleranz nach General tolerance: CAD - Zeichnung, keine manuellen Änderungen CAD - drawing, no manual modifications allowed

1. Verwendung: First Use: Blatt: 1 von 1 Sheet: of 1

Werkstoff/Material	2001 Tag/Date	Name	Zeichnung Nr./Drawing No.	Index
Farbe: grau, ähnl. RAL 7032 colour: grey, sim. RAL 7032	gezeichnet/drawn: 02.07.	Bauer F.		
Maßstab/Scale: 2:1	geprüft/checked: -	-		

Maße in mm/Dimensions are in mm

Vol. mm³ Ofl./Surf. mm² Ersatz für/Replacement for: -

b	18.05.2006/	wieland Elektrische Verbindungen	Type: 8273 B / .. S OB Benennung/Title: LP_STECKKLEMME Rastermaß 5,08 PCB-Terminal pitch 5,08
a	26.04.2002/		
Index	Datum / Blatt Date / Sheet		

Änderung/Revision

Weitergabe sowie Vervielfältigung dieses Dokuments, Verwertung und Mitteilung seines Inhalts sind verboten, soweit nicht ausdrücklich gestattet.
 The reproduction, distribution and utilization of this document as well as the communication of its contents to others without express authorization is prohibited.

273413253001K_4_CADW1044_Schnitt: 2006-05-18T08:26:58 1.000