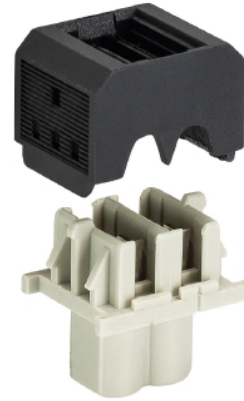


Data sheet

Commercial Art.No.: 25.399.9853.0

PCB connector 8113 BSK /2 0,75 OB

PCB female connector with screw connection with rising cage clamp system, 2 poles, max. cross section: 2.5 mm², pitch: 5 mm, type of packing: carton, color: grey



| | |
|--------------------|---------------|
| Commercial Art.No. | 25.399.9853.0 |
| EAN | 4015573454620 |
| Order Unit | 100 |

Certificates / Approvals



Technical data

General

| | |
|------------------------------------|------------------------------------|
| Modular spacing | 5 mm |
| Connection type | Insulation displacement connection |
| Soldering process | None |
| Packaging | Carton |
| Number of poles | 2 |
| Marking | No |
| Fastening | None |
| Mating direction towards connector | 90° |

Technical data

| | |
|--------------------------|----------------------|
| Nominal cross section | 0.75 mm ² |
| Rated current | 3 A |
| Overvoltage Category I | 1000 V |
| Overvoltage Category II | 400 V |
| Overvoltage Category III | 250 V |
| Rated impulse voltage | 4 kV |

Connection Data

| | |
|-------------------------------------|----------------------|
| Minimum cross section solid | 0.5 mm ² |
| Maximum cross section solid | 0.75 mm ² |
| Minimum cross section fine stranded | 0.5 mm ² |

| | |
|-------------------------------------|----------------------|
| Maximum cross section fine stranded | 0.75 mm ² |
|-------------------------------------|----------------------|

Technical Data UL/CSA

| | |
|------------------------|-----------|
| Cross section UL | 20-18 AWG |
| Voltage UL | 300 V |
| Current field wiring | 3 A |
| Current factory wiring | 3 A |
| Cross section CSA | 20-18 AWG |
| Voltage CSA | 300 V |
| Current CSA | 3 A |

Other

| | |
|-----------------------------|---------------|
| Type of insulation material | Thermoplastic |
| Color | black |
| Height | 12.4 mm |
| Length | 16 mm |
| Depth | 20.3 mm |
| Material attachment screw | CuSn/Steel |
| Material contact base | CuSn |
| Material contact surface | Sn |

Classification

| | |
|------------|----------|
| ECLASS 11 | |
| ECLASS 8.1 | 27440402 |
| ETIM 7.0 | EC002637 |
| ETIM 6.0 | EC002637 |
| ETIM 5.0 | EC002637 |
| ETIM 4.0 | EC002637 |

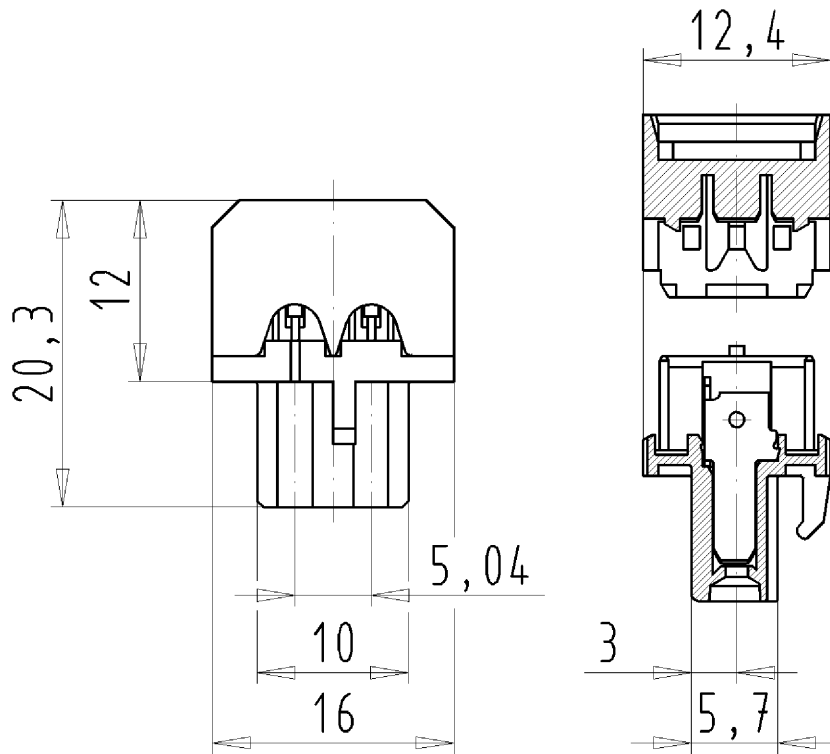
Product compliance

| | |
|------------------------------|-----------|
| ROHS conformity status | Compliant |
| REACH-SVHC conformity status | Compliant |

Fits with

| Commercial Art.No.: | Article-type description: | Description: |
|---------------------|------------------------------------|--|
| 25.332.3206.0 | PCB pin header 8113 S / 2 W OB THR | PCB pin header, connection method depends on used socket part , 2 poles, with solder pin (2.6mm, tin plated), pitch: 5 mm, type of packing: carton, color: black, This product can be soldered by reflow and wave soldering, |
| 25.332.3253.0 | PCB pin header 8113 S / 2 W OB | PCB pin header, connection method depends on used socket part , 2 poles, pitch: 5 mm, type of packing: carton, color: grey |
| 99.202.9996.0 | PCB pin header 8113 S / 2 G OB OF | PCB pin header, connection method depends on used socket part , 2 poles, pitch: 5 mm, type of packing: carton, color: grey |
| 25.330.3253.0 | PCB pin header 8113 S / 2 G OB | PCB pin header, connection method depends on used socket part , 2 poles, pitch: 5 mm, type of packing: carton, color: grey |
| 25.394.3253.0 | PCB pin header 8113 S / 2 S OB | PCB pin header, connection method depends on used socket part , 2 poles, pitch: 5 mm, type of packing: carton, color: grey |
| 99.262.9996.0 | PCB pin header 8113 S / 2 W OB OF | PCB pin header, connection method depends on used socket part , 2 poles, pitch: 5 mm, type of packing: carton, color: grey |

| | | |
|---------------|------------------------------------|--|
| 25.336.3253.0 | PCB pin header 8113 S E / 2 W OB | PCB pin header, connection method depends on used socket part , 2 poles, pitch: 5 mm, type of packing: carton, color: grey |
| 25.334.3253.0 | PCB pin header 8113 S E / 2 G OB | PCB pin header, connection method depends on used socket part , 2 poles, pitch: 5 mm, type of packing: carton, color: grey |
| 25.330.3206.0 | PCB pin header 8113 S / 2 G OB THR | PCB pin header, connection method depends on used socket part , 2 poles, with solder pin (2.6mm, tin plated), pitch: 5 mm, type of packing: carton, color: black, This product can be soldered by reflow and wave soldering, |



für folgende Tabellen-Zchnng.
 25.399.9853.F 8113 BSK/2 0,75

ABZWEIGSTECKVERBINDER
 25.399.9853.0 10W
 04.12.2007 DÜT
 M2:1