

## Data sheet

Commercial Art.No.: 55.703.9053.0

Earth terminal WKMF 2,5 SL/15

Ground terminal with tension spring connection for mounting on TS 15 , nominal cross section: 2.5 mm<sup>2</sup>, width: 5.1 mm, color: Green-yellow



Commercial Art.No.	55.703.9053.0
EAN	4015573671379
Order Unit	100

Certificates / Approvals



**ATEX**

## Technical data

### General

Nominal cross section	2.5 mm <sup>2</sup>
Color	Green/yellow
Number of levels	1
Number of clamp positions per level	2
Width/grid dimension	5.1 mm
Insulating housing	PA666
Inflammability class of insulation material acc. with UL94	V0
Mounting method	DIN rail (top hat rail) 15 mm
Terminal blocks for electrical installations	yes

### Technical data

Rated impulse voltage	6 kV
Pollution degree	3
Closing plate required	yes
Type of insulation material	Thermoplastic
Length	35 mm

### Connection Data

Connection type 1	spring clamp connection
Connection type 2	spring clamp connection
Minimum cross section solid	0.13 mm <sup>2</sup>
Maximum cross section solid	2.5 mm <sup>2</sup>
Minimum cross section fine stranded	0.13 mm <sup>2</sup>
Maximum cross section fine stranded	2.5 mm <sup>2</sup>

Wire strip length	10 mm
-------------------	-------

**Technical Data UL/CSA**

Cross section UL	26-12 AWG
Voltage UL	600 V
Cross section CSA	26-12 AWG
Voltage CSA	300 V

**Classification**

ECLASS 11	
ECLASS 8.1	27141141
ETIM 7.0	EC000901
ETIM 6.0	EC000901
ETIM 5.0	EC000901
ETIM 4.0	EC000901
ETIM 3.0	EC000901

**Product compliance**

ROHS conformity status	Compliant
REACH-SVHC conformity status	Compliant

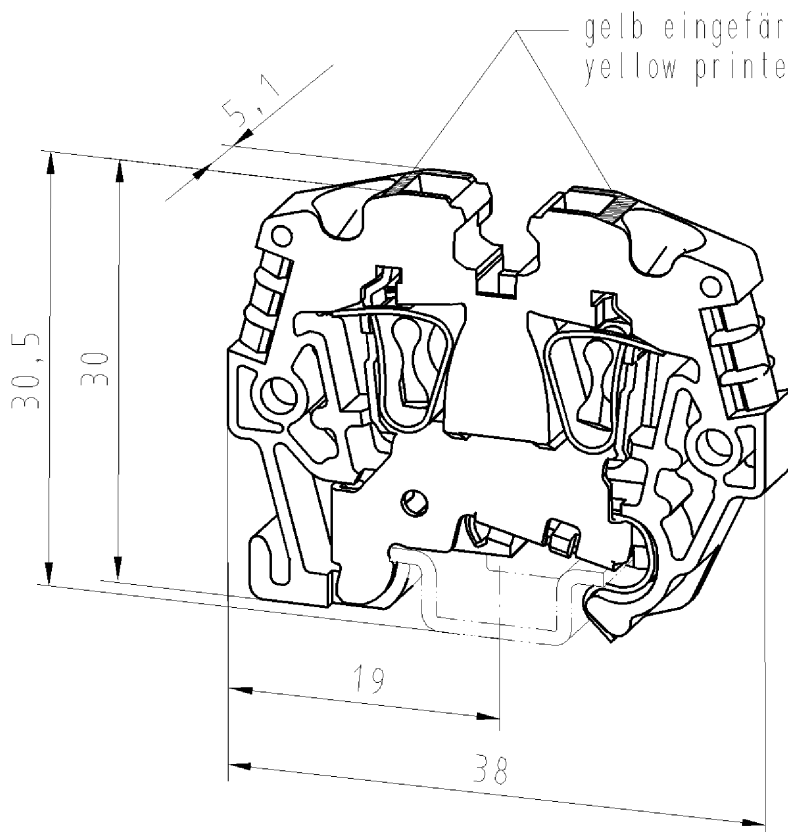
**Accessories**

Commercial Art.No.:	Article-type description:	Description:
98.090.0015.0	Mounting rail TS 15 PERF - l:2000mm	Mounting rail TS 15, slotted, Höhe 5,5 mm, length 2 m, material steel. galv. zinc-plated and dichromated
07.312.5953.0	End plate APMF 2,5/15	End plate for DIN rail terminal blocks type WKMF 2,5..., color: grey
Z7.260.0229.0	Jumper bar IVB WKMF 2,5- 2	Cross connector, insulated for DIN rail terminal blocks type WKMF..., 2 -pole
Z7.260.0329.0	Jumper bar IVB WKMF 2,5- 3	Cross connector, insulated for DIN rail terminal blocks type WKMF..., 3 -pole
Z7.260.0429.0	Jumper bar IVB WKMF 2,5- 4	Cross connector, insulated for DIN rail terminal blocks type WKMF..., 4 -pole
Z7.260.0529.0	Jumper bar IVB WKMF 2,5- 5	Cross connector, insulated for DIN rail terminal blocks type WKMF..., 5 -pole
Z7.260.1029.0	Jumper bar IVB WKMF 2,5- 10	Cross connector, insulated for DIN rail terminal blocks type WKMF..., 10 -pole
04.242.5053.0	Marking tag strips 9705 A / 5 / 10	Marking tag strips for DIN rail terminal blocks type 9700 A / 5..., 10 tags per strip, color: blue, unmarked, markable with Wieplot plotter-system

Weitere Daten siehe Katalog  
further data see catalog

These dimensions will be especially checked at delivery  
Only inspection dimensions  
With /E marked dimensions are only valid for internal use

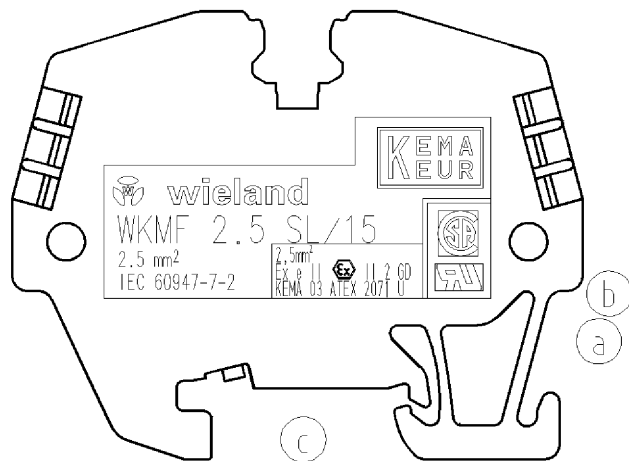
Diese Maße werden bei Abnahme besonders geprüft  
Ausschließlich Prüfmaße  
Mit /E gekennzeichnete Maße sind nur für interne Zwecke gültig



Weitergabe sowie Vervielfältigung dieses Dokuments, Verwertung und Mitteilung seines Inhalts sind verboten, soweit nicht ausdrücklich gestattet. Die Reproduktion, Distribution und Utilization of this document as well as the communication of its contents to others without express authorization is prohibited.

Technische Daten  
Technical Data

	VDE	UL	CSA
Bemessungsspannung V rated voltage	500	300	300
Bemessungsstrom A rated current	24	20	20
Anschlußbereich max. mm <sup>2</sup> /AWG connection range	2,5	12	12
Bemessungsquerschnitt 2,5mm <sup>2</sup> rated cross-section 2,5mm <sup>2</sup>			
Brennbarkeitsklasse UL 94 V-0 flamability rating UL 94 V-0			
Verschmutzungsgrad 3/Überspannungskategorie III pollution degree 3/overvoltage category III			



Tolerierung nach DIN 7167/Tolerance system acc. to DIN 7167.  
(This DIN-standard describes the envelope principle. According to the envelope principle the deviations of form and parallelism are limited by the size tolerances).

ja/yes  Stoffverbots- und Deklarationsliste nach UU-TQM-05/03 ist einzuhalten.  
Conformity with Wieland document UU-TQM-05/03 (list of prohibited / declarable hazardous substances) to be declared!

Freitoleranz nach -  
General tolerance

CAD - Zeichnung, keine manuellen Änderungen  
CAD - drawing, no manual modifications allowed

1. Verwendung: -  
First Use:

Blatt: 1 von 1  
Sheet: of 1

		Werkstoff/Material		2003	Tag/Date	Name	Zeichnung Nr./Drawing No.		Index
	/	Farbe: grün, ähnl. RAL 6017		gezeichnet drawn	12.05.	Schmitt	55.703.9053.0 01K c		c
	/	colour: green, sim. to RAL 6017		geprüft checked	-	-			
	/	Maßstab/Scale		Normgepr. Stand. check	-	-			
Maße in mm/Dimensions are in mm									
c	27.02.2007/	Vol.	mm <sup>3</sup>	Of1./Surf.	mm <sup>2</sup>	Ersatz für/Replacement for: -			
b	06.08.2004/	<b>wieland</b> Elektrische Verbindungen		Type	Benennung/Titile				
a	19.12.2003/			WKMF 2,5	SCHUTZLEITERKLEMME				
Index	Datum / Blatt Date / Sheet			SL/15	earth terminal				
Änderung/Revision									