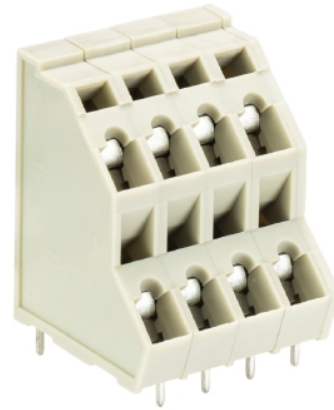


## Data sheet

Commercial Art.No.: 27.008.3653.0

Printed circuit board terminal 8291 EFK / 6 / 12

PCB terminal with spring cage connection, 6 poles, printed version, with solder pin (3.5mm), max. cross section: 2.5 mm<sup>2</sup>, pitch: 5.08 mm, type of packing: carton, color: grey



Commercial Art.No.	27.008.3653.0
EAN	4015573873834
Order Unit	40

Certificates / Approvals



## Technical data

### General

Modular spacing	5.08 mm
Connection type	spring clamp connection
Soldering process	Wave soldering
Packaging	Carton
Number of poles	12
Conductor to circuit board	180°
Number of levels	2
Integrated test socket	No
Insulation plate	yes
Retaining pins	No
Marking	yes

### Technical data

Nominal cross section	2.5 mm <sup>2</sup>
Rated current	12 A
Overtoltage Category I	1000 V
Overtoltage Category II	690 V
Overtoltage Category III	250 V
Rated impulse voltage	4 kV
Wire strip length	6 mm

### Connection Data

Minimum cross section solid	0.08 mm <sup>2</sup>
-----------------------------	----------------------

Maximum cross section solid	2.5 mm <sup>2</sup>
Minimum cross section fine stranded	0.08 mm <sup>2</sup>
Maximum cross section fine stranded	2.5 mm <sup>2</sup>
Wire strip length	6 mm

**Technical Data UL/CSA**

Cross section UL	28-12 AWG
Voltage UL	300 V
Current field wiring	10 A
Current factory wiring	10 A
Cross section CSA	28-12 AWG
Voltage CSA	300 V
Current CSA	10 A

**Other**

Type of insulation material	Thermoplastic
Color	Grey
Height	26.5 mm
Length	31.48 mm
Depth	21 mm
Material attachment screw	None
Material contact base	E-Cu
Material contact surface	Sn

**Classification**

ECLASS 11	
ECLASS 8.1	27440401
ETIM 7.0	EC002643
ETIM 6.0	EC002643
ETIM 5.0	EC002643
ETIM 4.0	EC002643

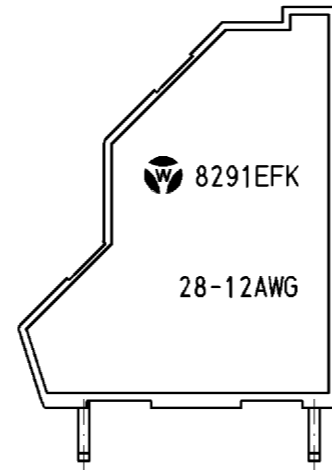
**Product compliance**

ROHS conformity status	Compliant
REACH-SVHC conformity status	Compliant

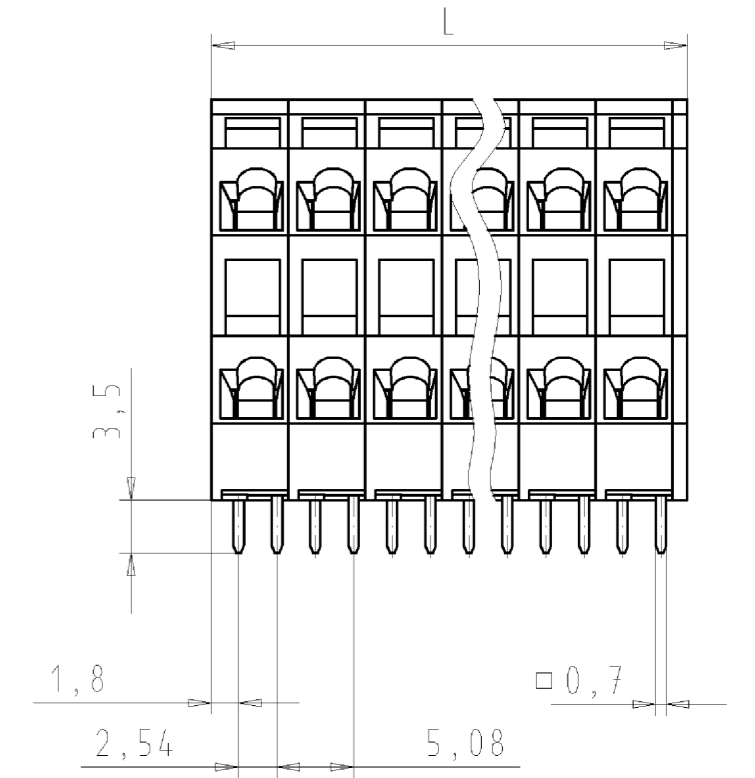
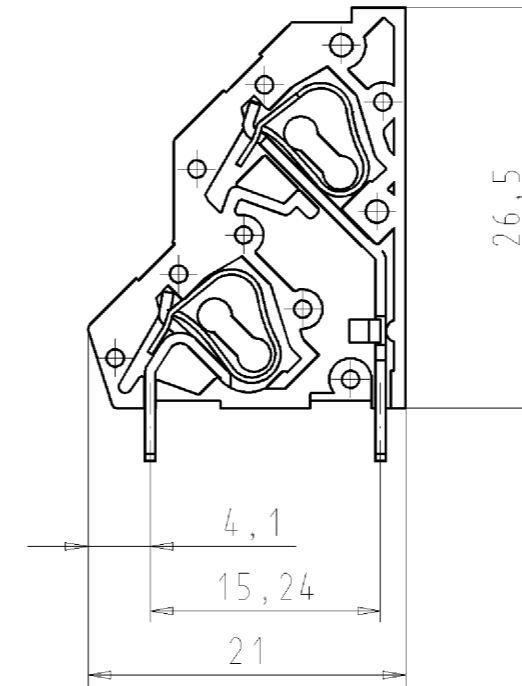
**Technische Daten**  
Technical Data

	VDE	UL	CSA
Bemessungsspannung V rated voltage	250	300	300
Bemessungsstrom A rated current	12	10	10
Anschlußbereich mm <sup>2</sup> /AWG connection range	0,08-2,5	28-12	28-12
Brennbarkeitsklasse flamability rating	UL 94-V0		
Isoliermaterial insulating material	PA 66 Farbe grau ähnl. RAL 7032 PA 66 colour grey sim. to RAL 7032		
Kontaktbasismaterial contact basis material	E-Cu 57		
Kontaktoberfläche contact surface	Ni3 Sn5		
Kontaktfeder contact spring	Ergste 1.4310 FD		
Verschmutzungsgrad 3/Überspannungskategorie III pollution degree 3/overvoltage category III			

**Ansicht: Abschlußplatte**  
view: end plate

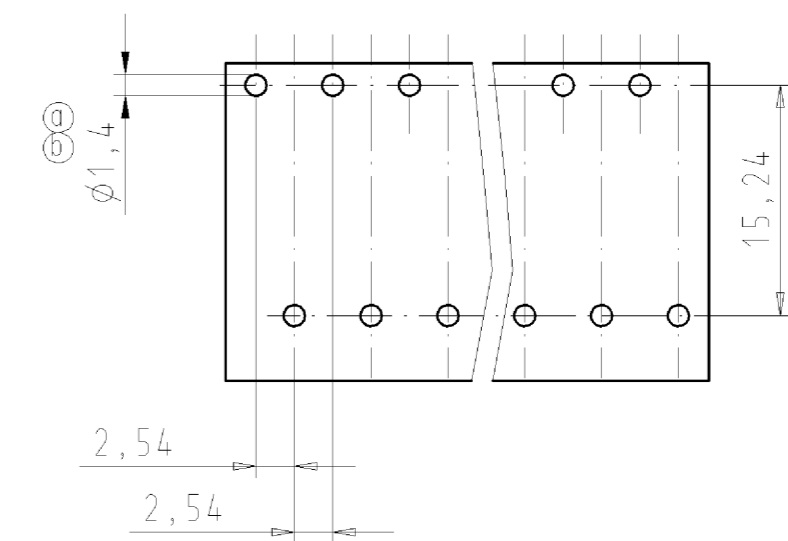


**Ansicht ohne Abschlußplatte**  
view without end plate



Teile-Nr. part-no.	Typ type	Polzahl poles	L
27.008.3253.0	8291 EFK/ 2/ 4	2/ 4	11,16
27.008.3353.0	8291 EFK/ 3/ 6	3/ 6	16,24
27.008.3453.0	8291 EFK/ 4/ 8	4/ 8	21,32
27.008.3553.0	8291 EFK/ 5/ 10	5/10	26,40
27.008.3653.0	8291 EFK/ 6/ 12	6/12	31,48
27.008.3753.0	8291 EFK/ 7/ 14	7/14	36,56
27.008.3853.0	8291 EFK/ 8/ 16	8/16	41,64
27.008.3953.0	8291 EFK/ 9/ 18	9/18	46,72
27.008.4053.0	8291 EFK/10/ 20	10/20	51,80
27.008.4153.0	8291 EFK/11/ 22	11/22	56,88
27.008.4253.0	8291 EFK/12/ 24	12/24	61,96
27.008.4353.0	8291 EFK/13/ 26	13/26	67,04
27.008.4453.0	8291 EFK/14/ 28	14/28	72,12
27.008.4553.0	8291 EFK/15/ 30	15/30	77,20
27.008.4653.0	8291 EFK/16/ 32	16/32	82,28
27.008.4753.0	8291 EFK/17/ 34	17/34	87,36
27.008.4853.0	8291 EFK/18/ 36	18/36	92,44
27.008.4953.0	8291 EFK/19/ 38	19/38	97,52
27.008.5053.0	8291 EFK/20/ 40	20/40	102,60
27.008.5153.0	8291 EFK/21/ 42	21/42	107,68
27.008.5253.0	8291 EFK/22/ 44	22/44	112,76
27.008.5353.0	8291 EFK/23/ 46	23/46	117,84
27.008.5453.0	8291 EFK/24/ 48	24/48	122,92

**Lochbild**  
PCB layout



**Weitere Daten siehe Katalog**  
further data see catalog

Tolerierung nach DIN 7167/Tolerance system acc. to DIN 7167. (This DIN-standard describes the envelope principle. According to the envelope principle the deviations of form and parallelism are limited by the size tolerances).		ja/yes <input checked="" type="checkbox"/> Stoffverfalls- und Deklarationsliste nach UU-TQM-05/03 ist einzuhalten. Conformity with Wieland document UU-TQM-05/03 (list of prohibited / delectable hazardous substances) to be declared!	
Freitoleranz nach General tolerance		CAD - Zeichnung, keine manuellen Änderungen EAD - drawing, no manual modifications allowed	
		1. Verwendung: First Use: -	
		Blatt: Sheet: 1 von 1 of 1	
		Zeichnung Nr./Drawing No. Index	
		T 27.008.3253.0 01K b	
Maße in mm/Dimensions are in mm			
		Ersatz für/Replacement for: -	
b 25.01.2007/ a 09.12.2005/ Index Datum / Blatt Date / Sheet		Type Benennung/Title	
Änderung/Revision		8291 EFK/...	
		LP_ETAGENKLEMME PCP terminal Rastermaß 5,08 pitch 5,08	

Weitergabe sowie Vervielfältigung dieses Dokuments, Verwertung und Mitteilung  
 seines Inhalts sind verboten, soweit nicht ausdrücklich gestattet.  
 The reproduction, distribution and utilization of this document as well as the  
 communication of its contents to others without express authorization is prohibited.

These dimensions will be especially checked at delivery  
 Only inspection dimensions  
 Diese Maße werden bei Abnahme besonders geprüft  
 Ausschließlich Prüfmaße  
 Only inspection dimensions are only valid for internal use  
 NUR ZUR INTERNEN VERWENDUNG

Z:\00835301K\_4\CAN\1042\_Schm\8291-01-25T1002.dwg 1:000