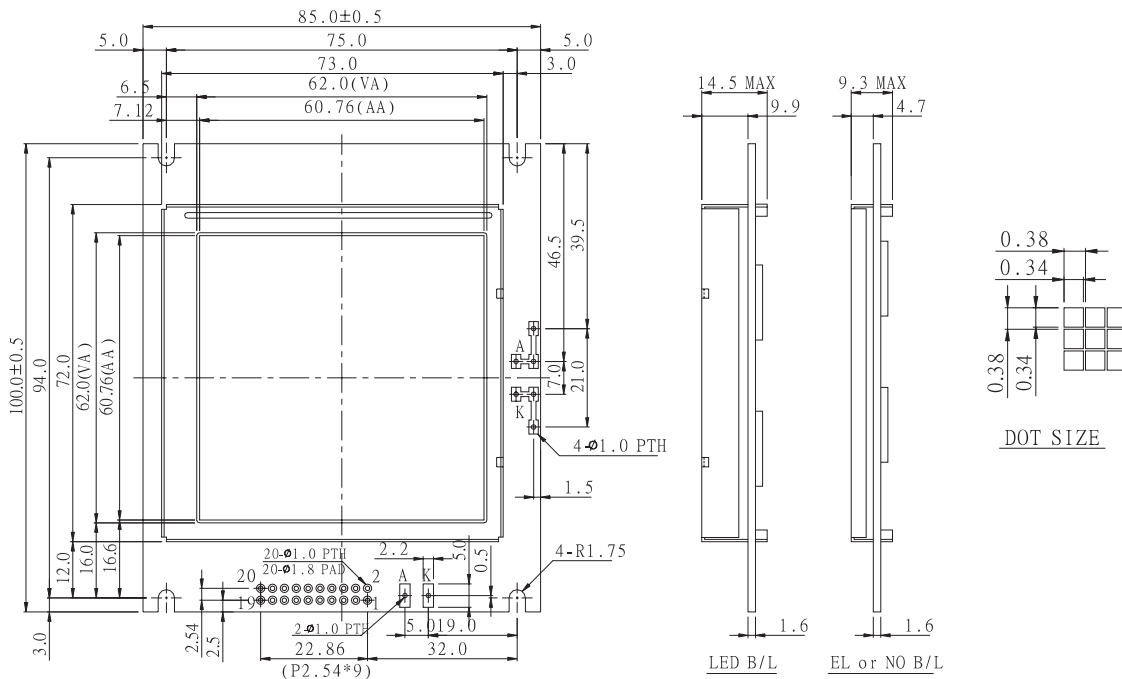




WG160160B Graphic 160x160dots

Dimension drawing



Feature

1. Built-in controller SANYO-(LC7981)
2. 1/160 duty cycle
3. N.V. optional
4. +5V power supply
5. Chinese Version (WG160160C)

| Pin NO. | Symbol | Function |
|---------|--------|----------------------------|
| 1 | FGND | Frame Ground |
| 2 | Vss | Power Supply(GND) |
| 3 | Vdd | Power supply (+5V) |
| 4 | Vo | Contrast Adjustment |
| 5 | R/W | Data read/write |
| 6 | E | Enable signal |
| 7 | CS | Chip select |
| 8 | RS | Data instruction select |
| 9 | NC | No connection |
| 10 | RST | Reset signal |
| 11 | DB0 | Data bus line |
| 12 | DB1 | Data bus line |
| 13 | DB2 | Data bus line |
| 14 | DB3 | Data bus line |
| 15 | DB4 | Data bus line |
| 16 | DB5 | Data bus line |
| 17 | DB6 | Data bus line |
| 18 | DB7 | Data bus line |
| 19 | NC | No connection |
| 20 | NC/Vee | NC/Negative Voltage output |

Mechanical Data

| Item | Standard Value | Unit |
|------------------|----------------|------|
| Module Dimension | 85.0x100.0 | mm |
| Viewing Area | 62.0x62.0 | mm |
| Dot Size | 0.34x0.34 | mm |
| Dot Pitch | 0.38x0.38 | mm |
| Mounting hole | 75.0x 94.0 | mm |

Absolute Maximum Rating

| Item | Symbol | Standard Value | | | Unit |
|---------------|---------|----------------|------|------|------|
| | | min. | typ. | max. | |
| Power Supply | VDD-VSS | 4.75 | 5.0 | 5.25 | V |
| Input Voltage | VI | -0.3 | --- | VDD | V |

Note : VSS=0 Volt, VDD=5.0 Volt.

Electrical Characteristics

| Item | Symbol | Condition | Standard Value | | | Unit |
|--|--------|------------------|--------------------|------|--------------------|------|
| | | | min. | typ. | max. | |
| Input Voltage | VDD | L level | 0.7V _{DD} | --- | V _{DD} | V |
| | VIO | H level | --- | --- | 0.3V _{DD} | V |
| Supply Current | IDD | VDD=5V | --- | 7.3 | 8.4 | mA |
| Recommended LC Driving Voltage for Normal Temp. Version module | VDD-V0 | -20°C | 16.5 | 18.0 | 19.5 | V |
| | | 0°C | 16 | 17.5 | 19 | |
| | | 25°C | 15.5 | 17.0 | 18.5 | |
| | | 50°C | 14.5 | 16.0 | 17.5 | |
| | | 70°C | 14.3 | 15.8 | 17.3 | |
| LED Forward Voltage | VF | 25°C | --- | 4.2 | 4.6 | V |
| LED Forward Current | IF | 25°C | --- | 500 | 1000 | mA |
| EL | IEL | Vel=110VAC;400Hz | --- | --- | 5.0 | mA |

Graphic type