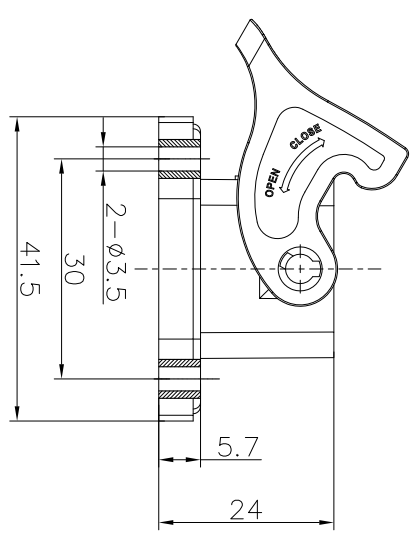
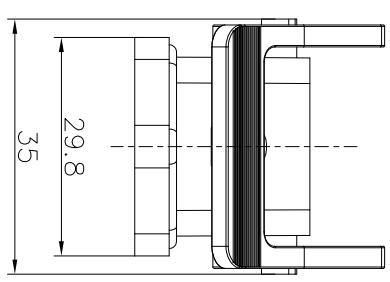
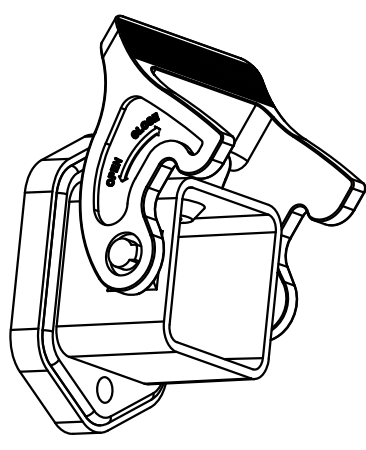
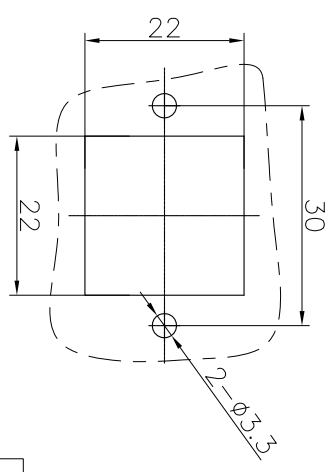


REVISION RECORD				
REV	ECN	DESCRIPTION	DRFT	DATE



Panel cut out



Housings Feature:

1. Material: Polycarbonate
2. Colour: Light grey (RAL7032)
3. Sealing: NBR
4. Limiting temperatures: -40°C ~ +125°C
5. Flammability acc. to UL94: V0
6. Degree of protection acc. to DIN EN 60529 for coupled connector: IP65
7. Rohs Compliance

DETACHED LISTS			
PART NO.: D3APBK1L	NAME: DEGSON ® NINGBO DEGSON ELECTRICAL CO., LTD 宁波高松电子有限公司	REV	DO
APPD: Huang JS 2016.08.08			
CHKD: Yang SH 2016.08.08			
DRFT: Zhou YZ 2016.08.08	TITLE: CUSTOMER DRAWING	SHEET	1/1
THIRD ANGLE PROJECTION	DRAWING NO.: /	SCALE	1:1
	DO NOT SCALE DRAWING		