

## Data sheet

Commercial Art.No.: Z7.416.1556.0

Cover BAS AD DI 6 FSR

Protective cover with tether cord and loop without locking levers, without gasket size 6



Commercial Art.No.	Z7.416.1556.0
EAN	4015573828810
Order Unit	10

## Technical data

### General

Degree of protection (IP)	IP65
Inflammability class of insulation material acc. with UL94	V0
Housing material	Plastic
Surface	Untreated
Color	Grey
Operating temperature range min.	-40 °C
Operating temperature range max.	120 °C

### Model

Construction	6
interlock	No
Locking mechanism	Single locking lever
Material locking lever	None
Cover attachment clamping	No
With sealing	No
With tether cord	yes
With loop	No
With ring lug	yes

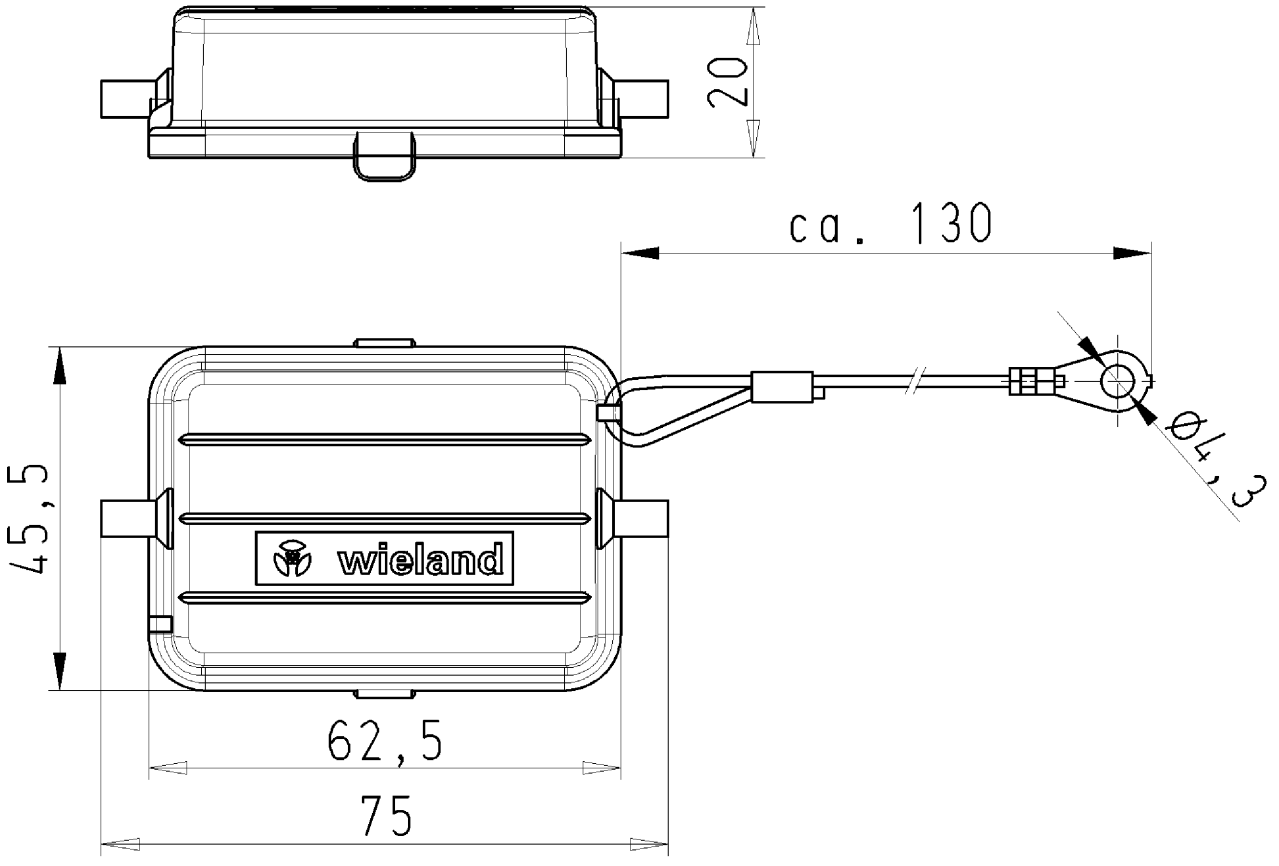
### Classification

ECLASS 11	
ECLASS 8.1	27440208
ETIM 7.0	EC002314
ETIM 6.0	EC002314
ETIM 5.0	EC002314
ETIM 4.0	EC002314
ETIM 3.0	EC002314

### Product compliance

ROHS conformity status	Compliant
REACH-SVHC conformity status	Compliant

Weitergabe sowie Vervielfältigung dieses Dokuments, Verwertung und Mitteilung seines Inhalts sind verboten, soweit nicht ausdrücklich gestattet. Die Reproduktion, Distribution und Utilization of this document as well as the communication of its contents to others without express authorization is prohibited.



Deckel  
Z7.416.1556.0

Zeichnungsnummer  
Z7.416.1556.010W  
Deckel

27.08.2008  
Hoffmann Angelika  
M 1:1