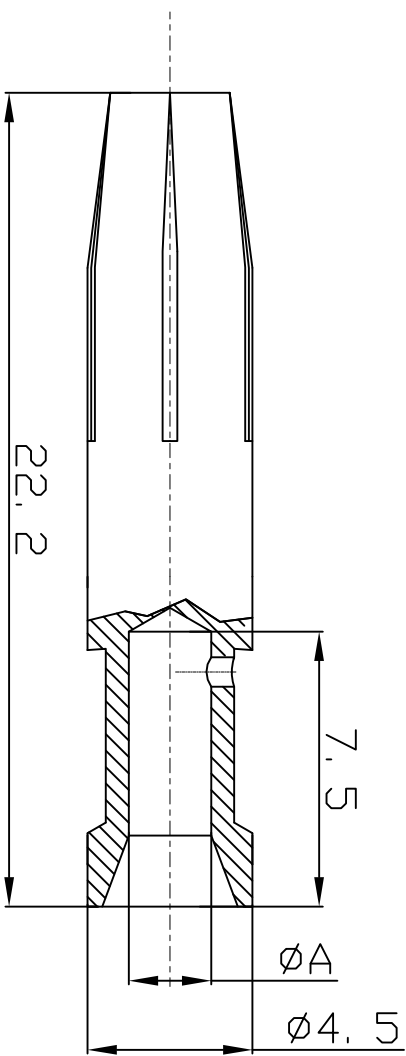


REVISION RECORD				
REV	ECN	DESCRIPTION	DRFT	DATE

H	Contacts, Gold-plated	(∅A)	Wire gauge		Recommended stripping length
			(mm ²)	(AWG)	
	Type of products				
	16A-GF-0.37	0.9	0.14-0.37	26-22	7.5mm
	16A-GF-0.5	1.1	0.50	20	7.5mm
	16A-GF-0.75	1.3	0.75	18	7.5mm
	16A-GF-1.0	1.45	1.00	18	7.5mm
	16A-GF-1.5	1.75	1.50	16	7.5mm
	16A-GF-2.5	2.25	2.50	14	7.5mm
	◆ 16A-GF-4.0	2.85	4.00	12	7.5mm



Crimp contacts

- 01. Material :Copper alloy
- 02. Surface :Gold-plated
- 03. Contact resistance : ≤1mΩ
- 04. Terminal :Crimp connection
- 05. Wire gauge :0.37-4.0mm² (AWG 22-12)
- 06. Rohs Compliance

DETACHED LISTS			
PART NO.:	/	NAME:	DEGSON ® NINGBO DEGSON ELECTRICAL CO., LTD 宁波高松电子有限公司
APPD.:		TITLE:	16A-Female Contacts(Gold-plated)
CHKD.:		DRAWING NO.:	/
DRFT.:	Mr. Yang 2016.06.06	DO NOT SCALE DRAWING	SCALE
THIRD ANGLE PROJECTION		SCALE	5:1