

FYL- 504XXX1G

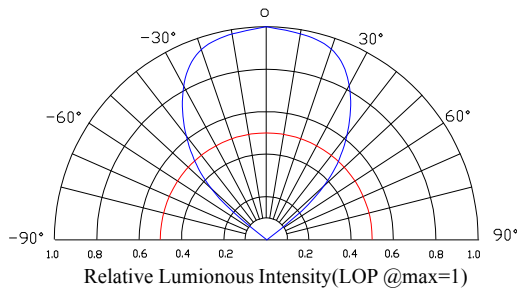
Features:

- General purpose leads
- RoHs compliant.

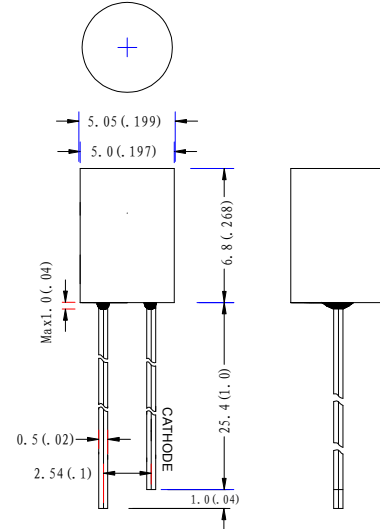
Descriptions:

- Dice material: GaP/GaAsP/InGaN/AlGaInP.
- Device Outline: $\Phi 5\text{mm}$ Cylinder Type.

Radiation pattern.



Package configuration



- ◆ All dimensions are millimeters (inches)
- ◆ Tolerance is $\pm 0.25\text{mm}(.010\text{'})$ unless otherwise noted.

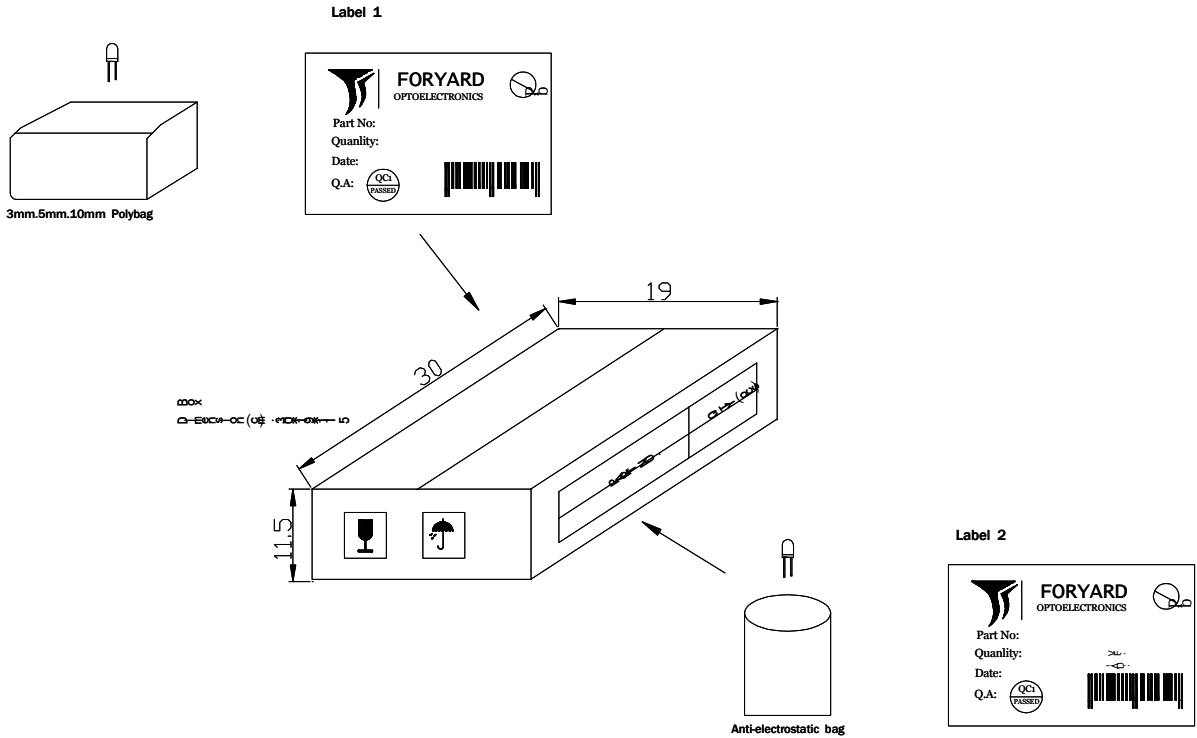
Absolute maximum ratings($T_a = 25^\circ\text{C}$)

Parameter	MAX.	Unit
Continuous Forward Current	20	mA
Derating Linear From 50°C	0.4	mA/ $^\circ\text{C}$
Reverse Voltage	5	V
Operating Temperature Range	-30°C to $+80^\circ\text{C}$	
Storage Temperature Range	-40°C to $+100^\circ\text{C}$	
Lead Soldering Temperature[4mm(.157") From Body]	260°C for 5 Seconds	

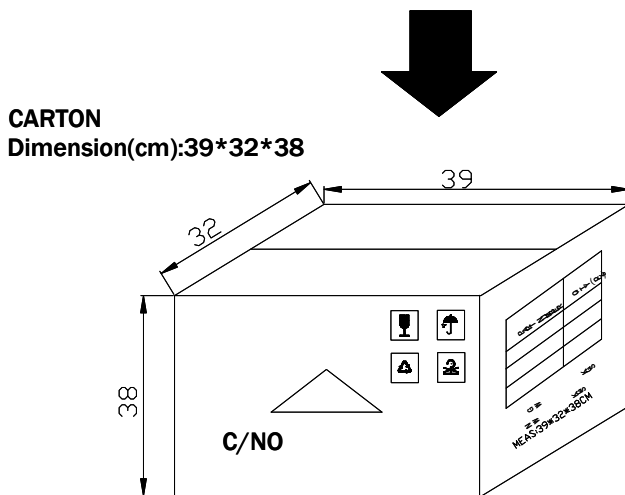
Optical Characteristics at TA = 25° C,IF=20mA.

Part Number	Lens Color	Wavelength (nm)	Intensity (mcd)	Angle 2θ 1/2
FYL-5043HRC1G	Water clear	640	180	90
FYL-5043SURC1G	Water clear	630	350	90
FYL-5043SUEC1G	Water clear	625	350	90
FYL-5043SUAC1G	Water clear	610	350	90
FYL-5043SUYC1G	Water clear	588	400	90
FYL-5043NUYC1G	Water clear	588	480	90
FYL-5043SUGC1G	Water clear	568	180	90
FYL-5043MUGC1G	Water clear	568	350	90
FYL-5043PGC1G	Water clear	520	2100	85
FYL-5043BGC1G	Water clear	505	2000	85
FYL-5043UBC1G	Water clear	470	410	85
FYL-5043VC1G	Water clear	410	90(mW)	85
FYL-5044UWC1G-UWW	Water clear	X:040 Y:0.39 CCT:3500K	1300	90
FYL-5044UWC1G	Water clear	X:0.29 Y:30 CCT:9500K	1300	90

LAMP PACKING.



DEVICE	QTY/polybag(pcs)	Polybag/box A	Fig
5mm(T-1 3/4)	1000	8 bags	Label 1
3mm(T-1)	1000	10 bags	Label 1
10mm(T-1)	250	8 bags	Label 1
Blue/Green/White	500pcs	8 bags	Label 2



6 Boxes/Carton
5mm:48,000pcs
3mm:60,000pcs
10mm:12,000pcs
Blue/Pure Green/bluish Green
/White:24,000pcs