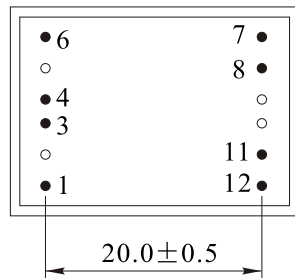
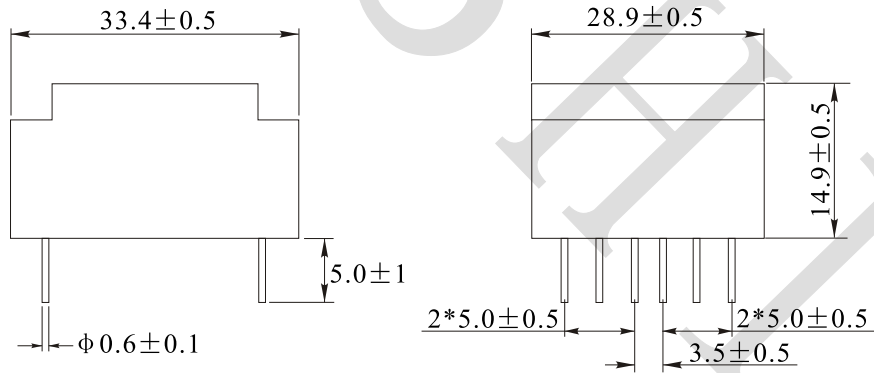


Rev.	Description	Date
A0	New release	2023.03.23

1. PHYSICAL CHARACTERISTICS (mm)

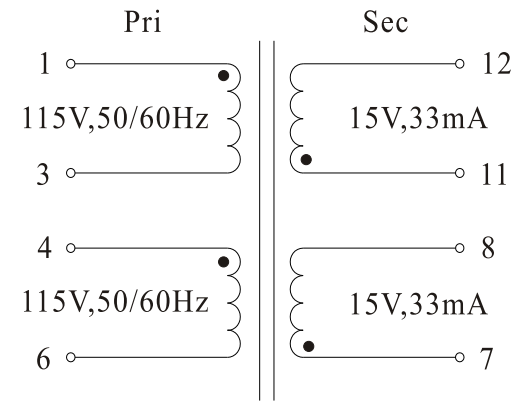


Bottom view

Top marking

1	SHINHOM	12
3	AC 2*115V 50/60Hz	11
4	UI210005	
6	ta: 70°C 1VA	8
	2*15V, 2*33mA	7

2. ELECTRONICAL SCHEMATIC



3. ELECTRONICAL SPECIFICATIONS

Pri voltage: 2*115V, 50Hz-60Hz

Sec load voltage: 2*15.0V@33mA

Noload voltage: 2*24.0V

Output Power: 1.0VA

Hi-Pot: 4000V, 50Hz, 1mA, 60S Pri to Sec

Operating temperature: -30°C to +70°C

NOTES:

Temp 20°C 48%RH

RoHS Compliant

NAME:	Power Transformer		
CUSTOMER P/N:	BV UI210005	DATE:	2023-03-23
SHINHOM P/N:	UI210005	REV: A0	PAGE
DRAWN BY	CHECKED BY	APPROVE BY	



SHINHOM

SHAANXISHINHOM ENTERPRISE CO LTD

The Document property belong to SHINHOM & is not allowed to be duplicated without authorization