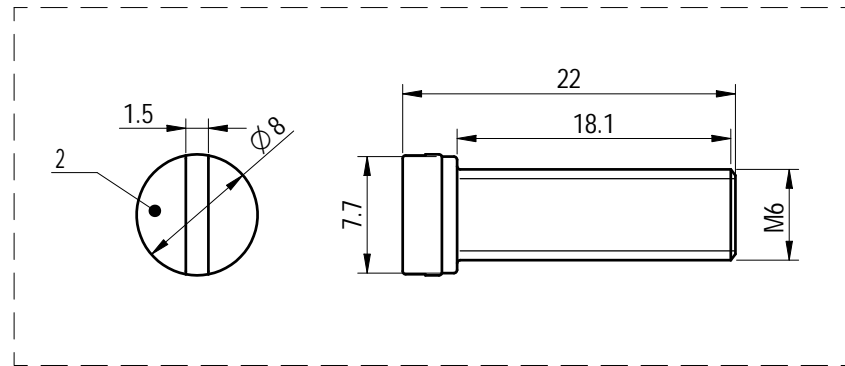
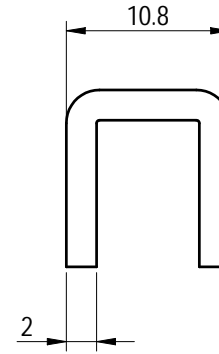
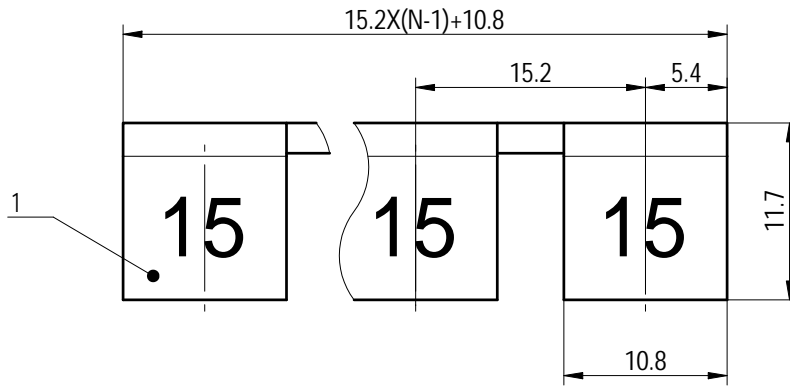
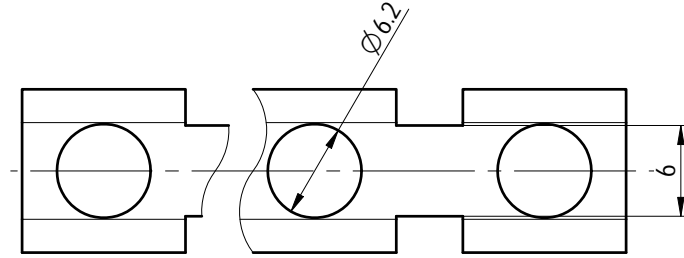


未注公差/General tolerances (mm)												0.1/10 ±2'		
0 ~ 3	>3 ~ 6	>6 ~ 10	>10 ~ 18	>18 ~ 30	>30 ~ 50	>50 ~ 80	>80 ~ 120	>120 ~ 180	>180 ~ 250	>250 ~ 315	>315 ~ 400		>400 ~ 500	>500
±0.12	±0.18	±0.22	±0.26	±0.31	±0.37	±0.57	±0.80	±0.93	±1.05	±1.15	±1.60	±2.20	±2.50	



Current carrier and screws should be packed individually, which must be put in the same box

ITEM	NAME OF PART	MATERIAL	NOTES
2	Screw	Copper alloy	Ni plated
1	Current carrier	Copper	Sn plated

间距/Pitch(mm)/线数范围/Poles	15.2/N=02~10P
符合RoHS环保要求/Conform to RoHS	Yes

DEGSON		MATERIAL: /	SURFACE/COLOR: /				
APPD: PengM	2022.06.17	MAT NO./REV: /	MAT STATUS: /				
CHKD: GaoWG	2022.06.17	NAME					
DRFT: XieXD	2022.06.17	FBIXX-15					
REV	ECN	DESCRIPTION	DRAWING NO.	TYPE	DRAWING STATUS	SCALE	SHEET
00	/	/	/	CUSTOMER DRAWING	/	2:1	1/1

00	/	/	XieXD	2022.06.17
REV	ECN	DESCRIPTION	DRFT	DATE

Transfer or duplication of this document as well as the utilization or communication of its contents are prohibited unless authorized in writing by the copyright owner. All rights reserved for patent, utility model or designer registrations. 除专利权明确授权外，否则禁止转让、复制、引用、交流本文件的序号、规格、名称、用途、功能等。未经书面授权，不得复制或传播本文件内容。所有权利保留。