

Data sheet

Commercial Art.No.: 02.123.7002.0

Female contact 0,5 QMM Ag

Female contact, turned Ø 2,5 mm , 0,5 mm², AWG 20, Ag



Commercial Art.No.	02.123.7002.0
EAN	4049088030499
Order Unit	200

Technical data

General

Wire strip length	7 mm
Min. conductor cross section flexible wire	0.5 mm ²
Max. conductor cross section flexible wire	0.5 mm ²
Connection type	Crimp
Material	Brass
Massive contact	yes
Contact pin diameter	2.5 mm
Inflammability class of insulation material acc. with UL94	Other
Contact resistance	≤ 1.5 mOhm

Classification

ECLASS 11	
ECLASS 8.1	27440204
ETIM 7.0	EC000796
ETIM 6.0	EC000796
ETIM 5.0	EC000796
ETIM 4.0	EC000796
ETIM 3.0	EC000796

Product compliance

ROHS conformity status	Compliant/Exempted
ROHS exceptions	III-6(c)
REACH-SVHC conformity status	Duty-To-Declare
REACH-SVHC substances	Lead
REACH-SVHC CAS numbers	7439-92-1

Accessories

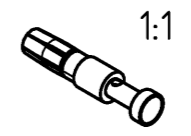
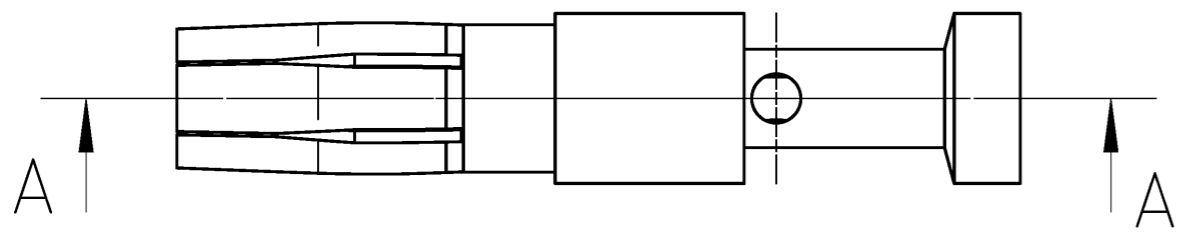
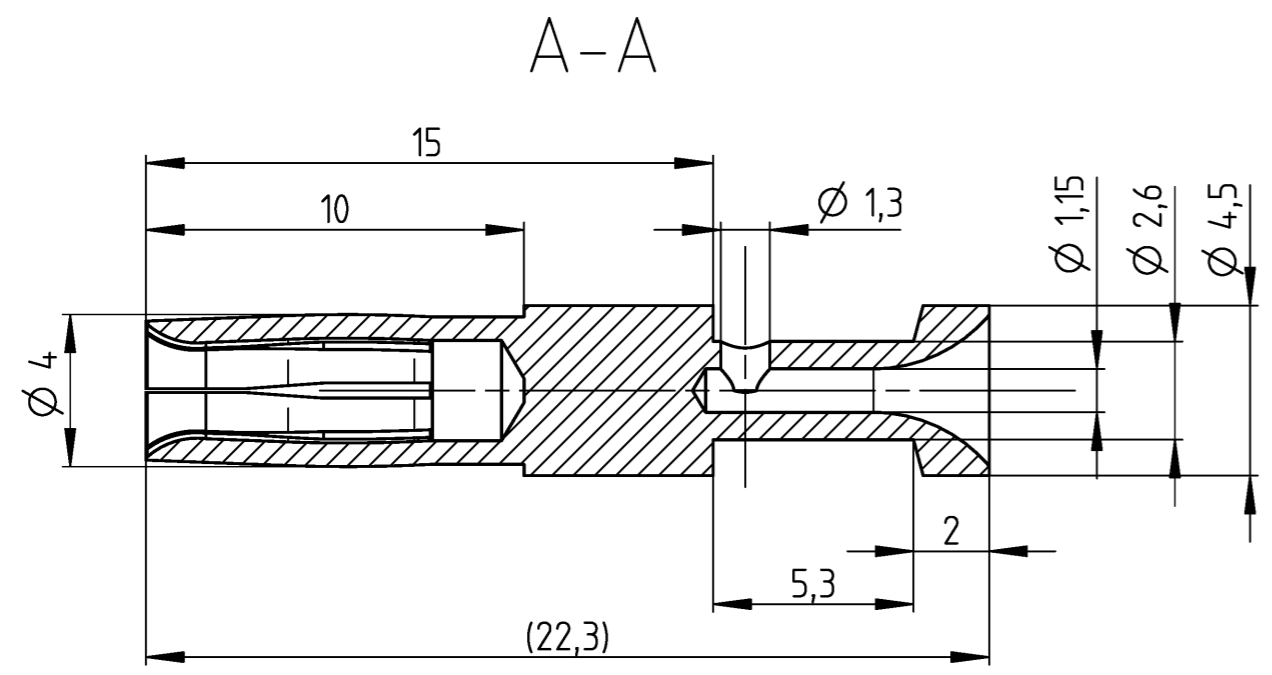
Commercial Art.No.:	Article-type description:	Description:
05.502.2100.0	Crimping die B	Crimp dies for revos crimping tool, usable for crimp-contacts with a cross section of 0.14-1.0 mm ² , 1.5 mm ² , 2.5 mm ² and 4.0 mm ²
95.101.0800.0	Basic crimping tool .	Crimping tool kit
05.502.3500.0	Extraction tool 500/690V-SER.	Extraction tool for turned contacts with a diameter of 2.5 mm
05.502.3300.0	Contact positioner 3	Contact positioner 3

A
Weitergabe sowie Vervielfältigung dieses Dokuments, Verwertung und Mitteilung seines Inhalts sind verboten, soweit nicht ausdrücklich gestattet.
The reproduction, distribution and utilization of this document as well as the communication of its contents to others without express authorization is prohibited.

B
These dimensions will be especially checked at delivery
Only inspection dimensions
With /E marked dimensions are only valid for internal use.

C
Diese Maße werden bei Abnahme besonders geprüft
Ausschließlich Prüfmaße
Mit /E gekennzeichnete Maße sind nur für interne Zwecke gültig.

F
Änderung / Revision



Teilenummer /part number	Oberfläche /surface
02.123.7001.0	vergoldet /gold-plated
02.123.7001.7	vergoldet /gold-plated
02.123.7002.0	versilbert /silver-plated
02.123.7021.0	verzinkt /tin-plated

Weitere Daten siehe KATALOG oder eKatalog
additional data see CATALOG or eCATALOG

www.wieland-electric.com
eshop.wieland-electric.com

Tolerierung Size ISO 14405 © / Tolerance system Size ISO 14405 ©.
(This ISO-standard describes the envelope principle. According to the envelope principle the deviations of form and parallelism are limited by the size tolerances).

ja/yes Stoffverbots- und Deklarationsliste nach WN 5020.010 ist einzuhalten.
Conformity with Wieland document WN 5020.010 e (list of prohibited / declarable hazardous substances) to be declared!

Freitoleranz nach
General tolerance

CAD - Zeichnung, keine manuellen Änderungen
CAD - drawing, no manual modifications allowed

1. Verwendung:
First Use:

Blatt: 1 von 1
Sheet: of

	/		Werkstoff / Material	Tag/Date	Name	Zeichnung Nr. / Drawing No.	Index
	/		Messing /brass	gezeichnet drawn	31.05.2021		
	/	Maßstab / Scale 5:1	Elektronische Freigabe Electronic Release	T 02.123.7001.0 13K		Maße in mm / Dimensions are in mm	
	/			Vol.	mm ³	Ofl./Srf.	mm ²

	/		Type	Benennung/Title
	/		wieland	revos Basic
Index	Datum / Blatt Date / Sheet			
Änderung / Revision				