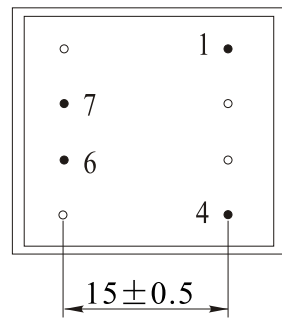
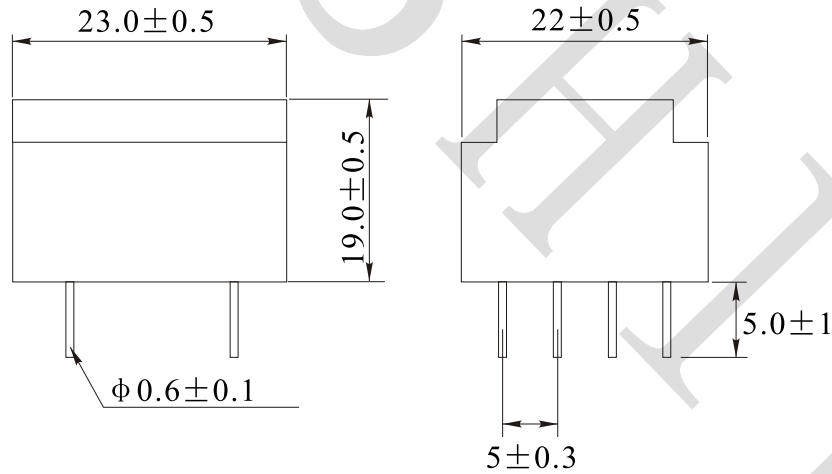


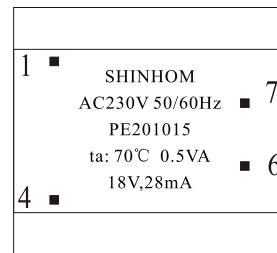
Rev.	Description	Date
A0	New release	2022.09.13

1. PHYSICAL CHARACTERISTICS (mm)



Bottom view

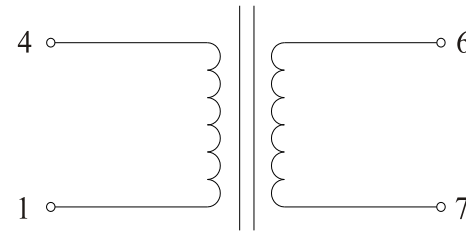
Top marking



NOTES:

Temp 20°C 48%RH
RoHS Compliant

2. ELECTRONICAL SCHEMATIC



3. ELECTRONICAL SPECIFICATIONS

Pri voltage: 230V,50Hz-60Hz

Sec load voltage: 18.0V ± 5% @ 28mA

Noload voltage: 25V ± 5%

Output Power: 0.5VA

Hi-Pot: 3500V,50Hz,1mA,10S Pri to Sec

Note:

- Solderability: leads shall meet MIL-STD-202, Method 208D for solderability.
- Flammability: UL94V-0
- ASTM oxygen index: >28%

NAME:	Power Transformer		
CUSTOMER P/N:	BV202 0162	DATE:	2022-09-13
SHINHOM P/N:	PE201015	REV: A0	PAGE
DRAWN BY	CHECKED BY	APPROVE BY	



SHINHOM
SHAANXISHINHOM ENTERPRISE CO LTD

The Document property belong to SHINHOM & is not allowed to be duplicated without authorization