



SANYO Semiconductors

# DATA SHEET

## LA47512 — Monolithic Linear IC Four-Channel BTL Power Amplifier IC for Car Stereo Systems

### Overview

The LA47512 is a four-channel 45W BTL power amplifier IC for car stereo systems.

### Features

- Maximum output : 45W×4 (at  $V_{CC} = 14.4V$ ,  $R_L = 4\Omega$ ,  $V_I = 2.5V_{rms}$ )
- Very low external component count (No oscillator prevention RC circuit, NF circuit, or BS capacitor required)
- Electrically driven mirror noise countermeasure pin provided
- Mute function
- Standby switch
- Full compliment of protection circuits, including shorting to power, shorting to ground, load shorting, and thermal protection circuits

### Specifications

**Maximum Ratings** at  $T_a = 25^\circ C$

Parameter	Symbol	Conditions	Ratings	Unit
Maximum supply voltage	$V_{CC\ max1}$	No signal, $t = 1$ minute	26	V
	$V_{CC\ max2}$	With signal	18	V
Maximum output current	$I_O\ peak$	Per channel	4.5	A
Allowable power dissipation	$P_d\ max$	With a infinity large heat sink (note)	50	W
Operating temperature	$T_{opr}$		-40 to +85	$^\circ C$
Storage temperature	$T_{stg}$		-40 to +150	$^\circ C$
Junction-to-case thermal resistance	$\theta_{j-c}$		1	$^\circ C/W$

Note : Power consumption ( $P_d$ ), junction-to-case thermal resistance ( $\theta_{j-c}$ ), heat sink thermal resistance ( $\theta_f$ ), junction temperature ( $T_j$ ), case temperature ( $T_c$ ), and ambient temperature ( $T_a$ ) have the relationship shown in the following equation.

$$T_j = P_d (\theta_{j-c} + \theta_f) + T_a$$

$$= P_d \times \theta_{j-c} + T_c,$$

$$*T_c = P_d \times \theta_f + T_a \quad \text{However, } T_j \text{ max is limited by } T_{stg\ max} (150^\circ C)$$

■ Any and all SANYO Semiconductor products described or contained herein do not have specifications that can handle applications that require extremely high levels of reliability, such as life-support systems, aircraft's control systems, or other applications whose failure can be reasonably expected to result in serious physical and/or material damage. Consult with your SANYO Semiconductor representative nearest you before using any SANYO Semiconductor products described or contained herein in such applications.

■ SANYO Semiconductor assumes no responsibility for equipment failures that result from using products at values that exceed, even momentarily, rated values (such as maximum ratings, operating condition ranges, or other parameters) listed in products specifications of any and all SANYO Semiconductor products described or contained herein.

**SANYO Semiconductor Co., Ltd.**

TOKYO OFFICE Tokyo Bldg., 1-10, 1 Chome, Ueno, Taito-ku, TOKYO, 110-8534 JAPAN

# LA47512

## Operating Conditions at $T_a = 25^\circ\text{C}$

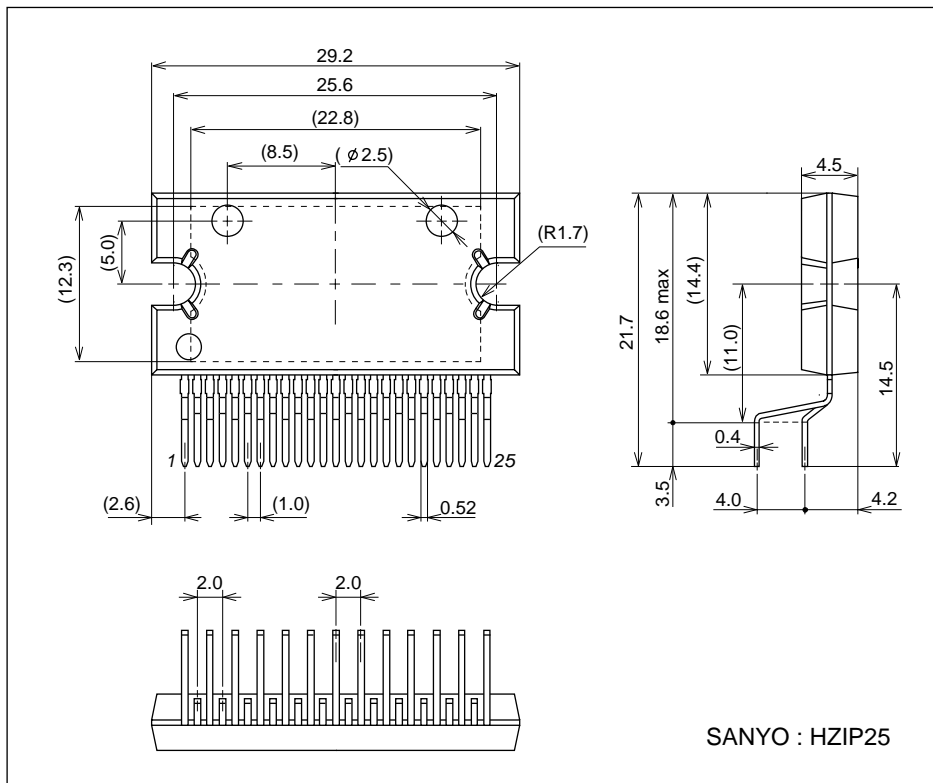
Parameter	Symbol	Conditions	Ratings	Unit
Recommended supply voltage	$V_{CC}$		14.4	V
Recommended load resistance	$R_L$		4	$\Omega$
Operating supply voltage range	$V_{CC\text{ op}}$	$P_d$ max shall not be exceeded.	9 to 18	V

## Electrical Characteristics at $T_a = 25^\circ\text{C}$ , $V_{CC} = 14.4\text{V}$ , $f = 1\text{kHz}$ , $R_L = 4\Omega$ , $R_g = 600\Omega$

Parameter	Symbol	Conditions	Ratings			Unit
			min	typ	max	
Quiescent current	$I_{CCO}$	$R_L = \infty$ , $R_g = 0$		200	350	mA
Standby current	$I_{st}$	$V_{st} = 0\text{V}$			10	$\mu\text{A}$
Output offset voltage	$V_n$ offset	$R_g = 0$	-150		+150	mV
Voltage gain	VG	$V_O = 0\text{dBm}$	31	32	33	dB
Voltage gain difference	$\Delta\text{VG}$		-1		+1	dB
Output power	$P_{O1}$	THD = 10%	23	28		W
	$P_{O\text{ max}1}$	$V_{CC} = 13.7\text{V}$ , $V_{IN} = 2.5\text{Vrms}$		40		W
	$P_{O\text{ max}2}$	$V_{IN} = 2.5\text{Vrms}$		45		W
Total harmonic distortion	THD	$P_O = 4\text{W}$		0.1	0.4	%
Channel separation	CHsep	$V_O = 0\text{dBm}$ , $R_g = 10\text{k}\Omega$	55	65		dB
Ripple rejection ratio	SVRR	$f_r = 100\text{Hz}$ , $V_r = 0\text{dBm}$ , $R_g = 0$	50	70		dB
Output noise voltage	$V_{NO}$	$R_g = 0$ , B.P.F = 20Hz to 20kHz		80	200	$\mu\text{Vrms}$
Mute attenuation	Ma	$V_O = 20\text{dBm}$	70	90		dB

## Package Dimensions

unit : mm (typ)  
3236A



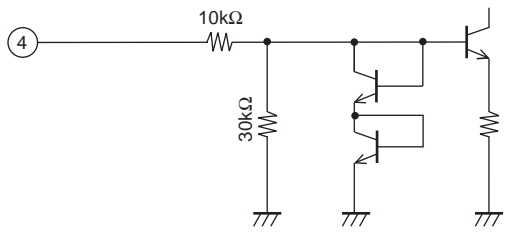
**Usage Notes**

A capacitor about twice the size of the input capacitors must be used for the capacitor between pins 1 and 25 that is used to minimize for noise from the electrically driven mirror. In the sample application circuit, a 0.47 $\mu$ F capacitor is used for 0.22 $\mu$ F input capacitors.

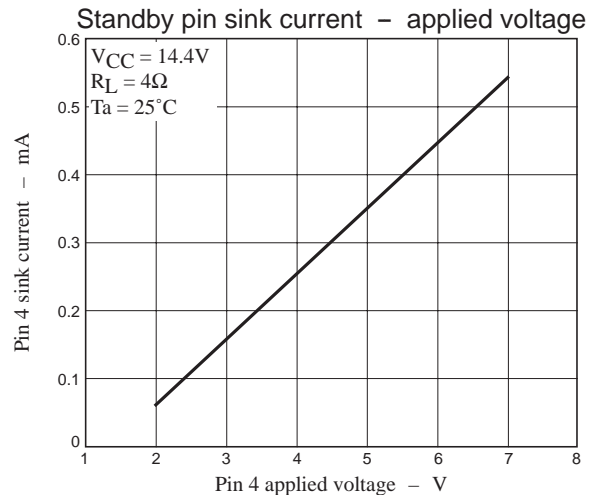
Note that the capacitor connected between pins 1 and 25 must be connected to the same pre-ground as the input capacitors.

**Standby switch and muting switch usage methods (for reference purposes)**

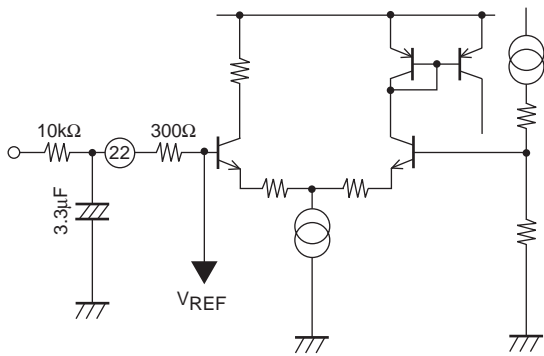
- (1) The amplifier will be on when the standby switch (pin 4) has a voltage of 2V or higher applied, and will be off when that pin is at the ground level.



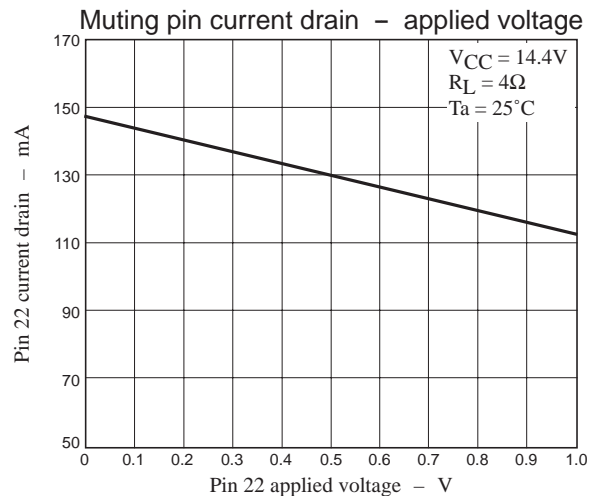
Standby pin internal equivalent circuit diagram



- (2) Muting will be on when muting switch (pin 22) has a voltage of 1V or lower applied, and will be off when that pin is open



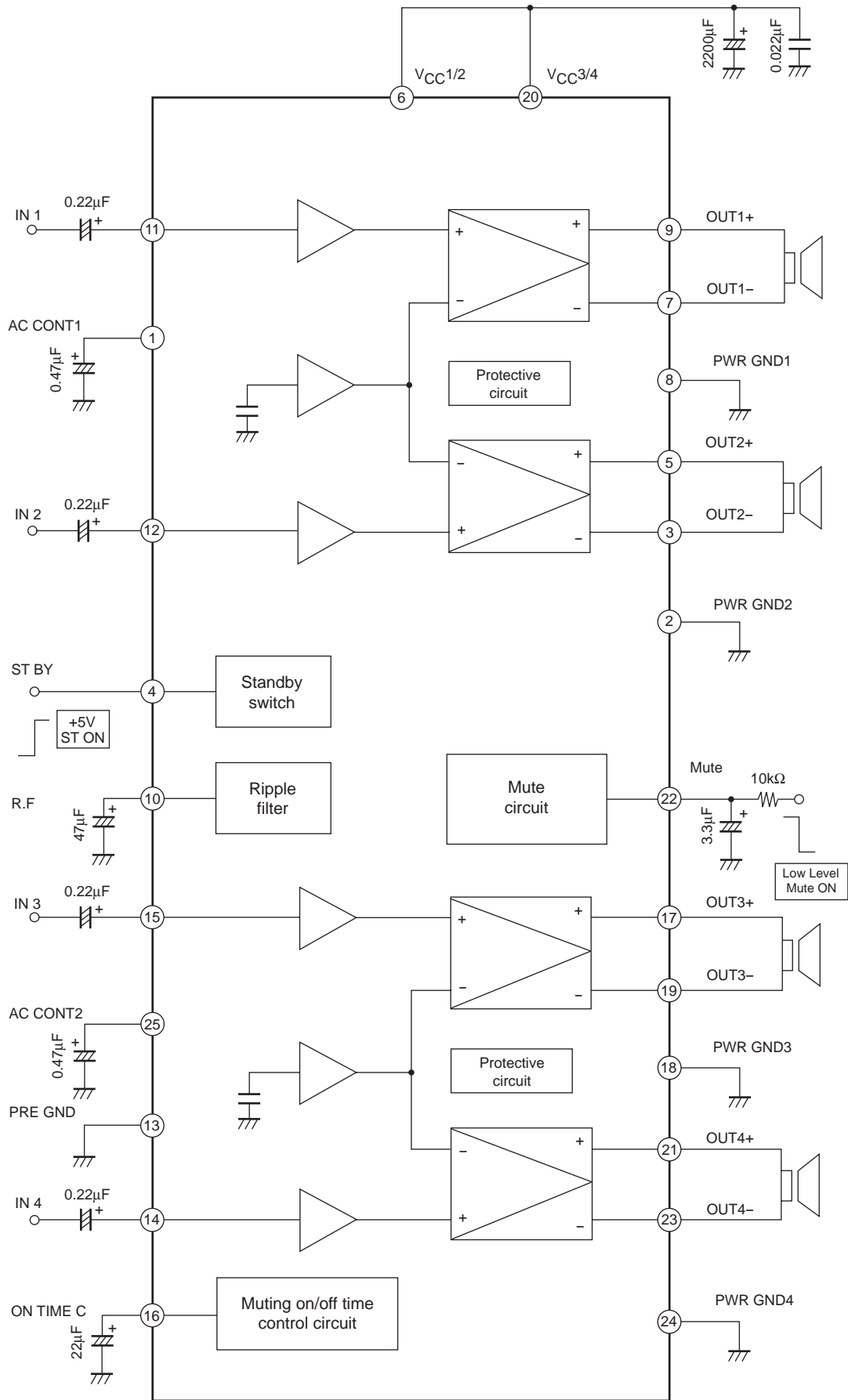
Muting pin internal equivalent circuit



Muting on/off times for the recommended external component values  
 Muting on time : 50ms  
 Muting off time : 20ms

# LA47512

## Block Diagram



\* Package : HZIP25

- Specifications of any and all SANYO Semiconductor products described or contained herein stipulate the performance, characteristics, and functions of the described products in the independent state, and are not guarantees of the performance, characteristics, and functions of the described products as mounted in the customer's products or equipment. To verify symptoms and states that cannot be evaluated in an independent device, the customer should always evaluate and test devices mounted in the customer's products or equipment.
- SANYO Semiconductor Co., Ltd. strives to supply high-quality high-reliability products. However, any and all semiconductor products fail with some probability. It is possible that these probabilistic failures could give rise to accidents or events that could endanger human lives, that could give rise to smoke or fire, or that could cause damage to other property. When designing equipment, adopt safety measures so that these kinds of accidents or events cannot occur. Such measures include but are not limited to protective circuits and error prevention circuits for safe design, redundant design, and structural design.
- In the event that any or all SANYO Semiconductor products (including technical data, services) described or contained herein are controlled under any of applicable local export control laws and regulations, such products must not be exported without obtaining the export license from the authorities concerned in accordance with the above law.
- No part of this publication may be reproduced or transmitted in any form or by any means, electronic or mechanical, including photocopying and recording, or any information storage or retrieval system, or otherwise, without the prior written permission of SANYO Semiconductor Co., Ltd.
- Any and all information described or contained herein are subject to change without notice due to product/technology improvement, etc. When designing equipment, refer to the "Delivery Specification" for the SANYO Semiconductor product that you intend to use.
- Information (including circuit diagrams and circuit parameters) herein is for example only; it is not guaranteed for volume production. SANYO Semiconductor believes information herein is accurate and reliable, but no guarantees are made or implied regarding its use or any infringements of intellectual property rights or other rights of third parties.

This catalog provides information as of November, 2006. Specifications and information herein are subject to change without notice.