

FYL-48D3UYC1A-002

Features:

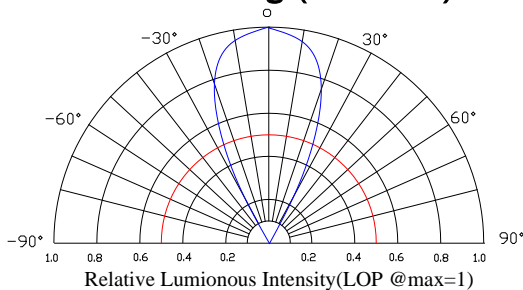
- High intensity
- General purpose leads
- RoHs compliant.

Descriptions:

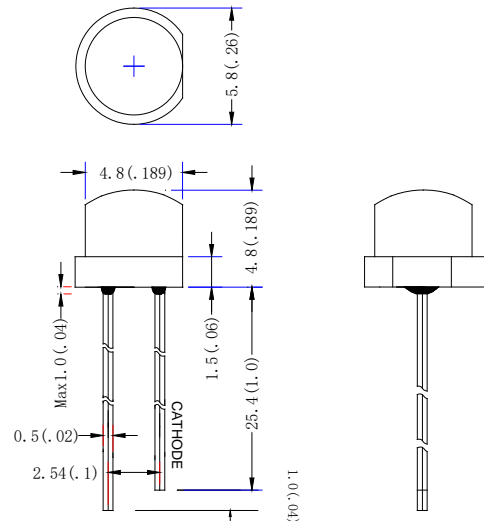
- Dice material: AlGaInP
- Emitting Color: Super bright yellow
- Device Outline: 4.8mm straw hat Type.
- Lens Type: Water clear

Radiation pattern.

Absolute maximum ratings(Ta=25°C)



Package configuration



- ◆ All dimensions are millimeters (inches)
- ◆ Tolerance is $\pm 0.25\text{mm}(.010")$ unless otherwise noted.

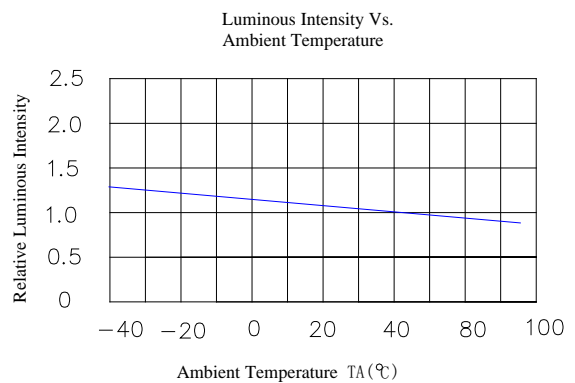
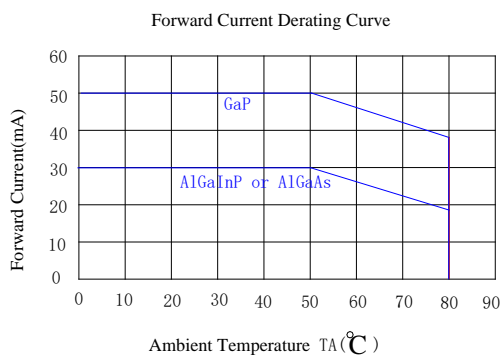
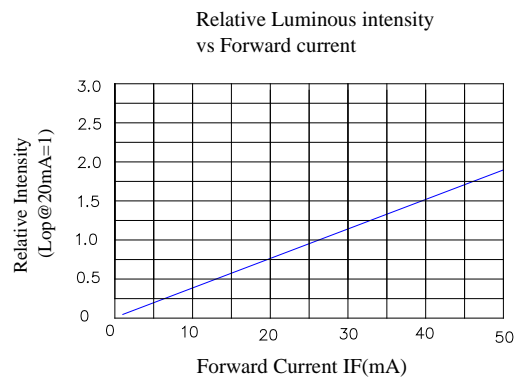
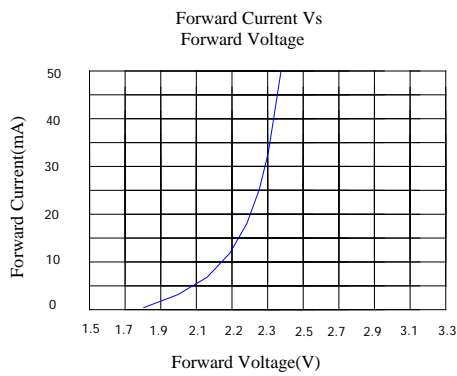
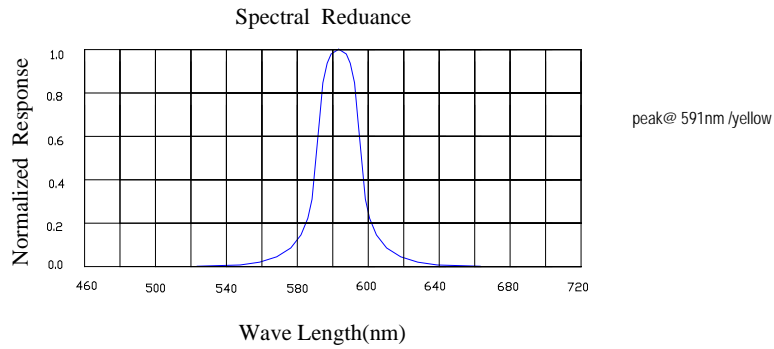
Parameter	MAX.	Unit
Power Dissipation	80	mW
Peak Forward Current (1/10 Duty Cycle, 0.1ms Pulse Width)	100	mA
Continuous Forward Current	30	mA
Derating Linear From 50 °C	0.4	mA/ °C
Reverse Voltage	5	V
Operating Temperature Range	-30	to 80 °C
Storage Temperature Range	-40	°C to +100°C
Lead Soldering Temperature[4mm(.157") From Body]	260	°C for 5 Seconds

Electrical and optical characteristics(Ta=25°C)

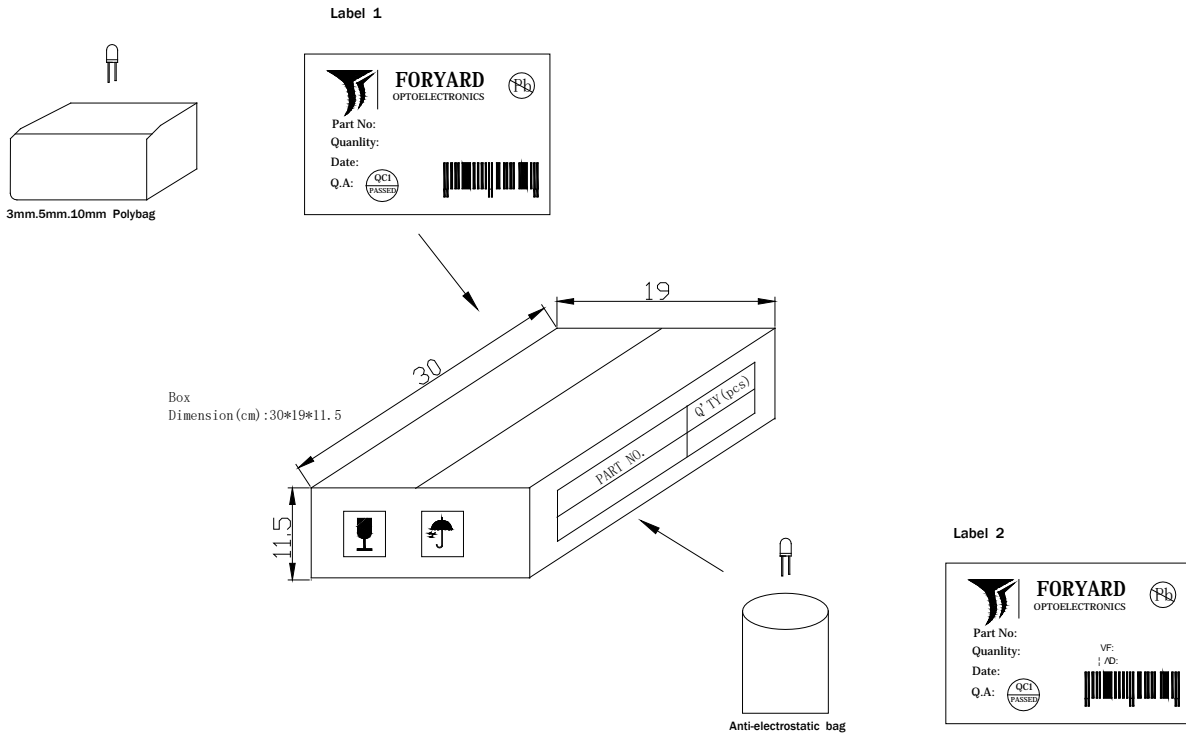
Parameter	Symbol	Min.	Typ.	Max.	Unit	Test Condition
Luminous Intensity	I_v	-	400	-	mcd	$I_F=20\text{mA}$
Viewing Angle	$2\theta_{1/2}$	-	50	60	Deg	
Peak Emission	λ_p	586	591	596	nm	
Dominant Wavelength	λ_d	585	590	595	nm	
Spectral Line Half-Width	$\Delta\lambda$	10	15	20	nm	
Forward Voltage	V_F	1.7	2.0	2.4	V	$V_R=5\text{V}$
Reverse Current	I_R			10	μA	

Typical Electrical Characteristics Curves

(25°C Ambient Temperature Unless Otherwise Noted)

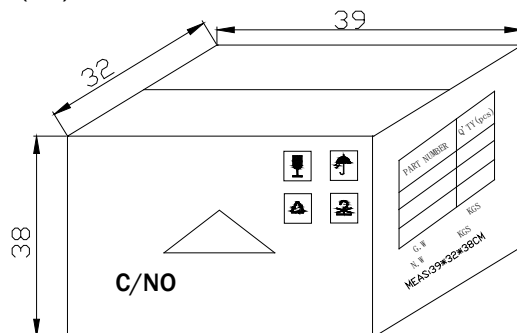


LAMP PACKING.



DEVICE	QTY/polybag(pcs)	Polybag/box A	Fig
5mm(T-1 3/4)	1000	8 bags	Label 1
3mm(T-1)	1000	10 bags	Label 1
10mm(T-1)	250	8 bags	Label 1
Blue/Green/White	500pcs	8 bags	Label 2

CARTON
Dimension(cm):39*32*38



6 Boxes/Carton
5mm:48,000pcs
3mm:60,000pcs
10mm:12,000pcs
Blue/Pure Green/bluish Green
/White:24,000pcs