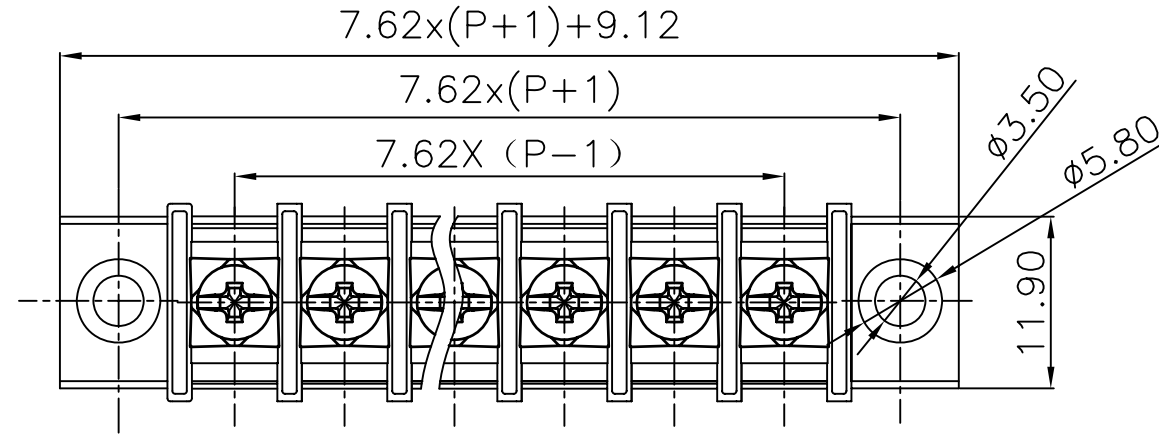
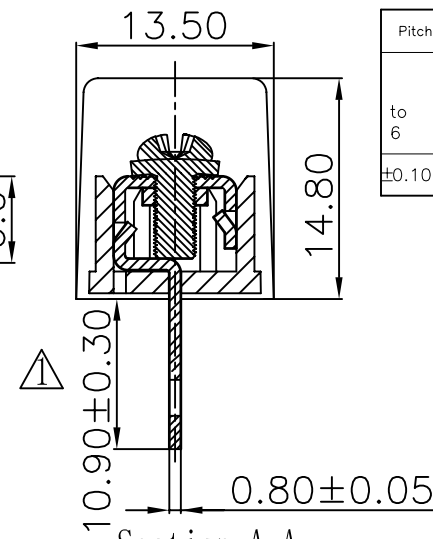
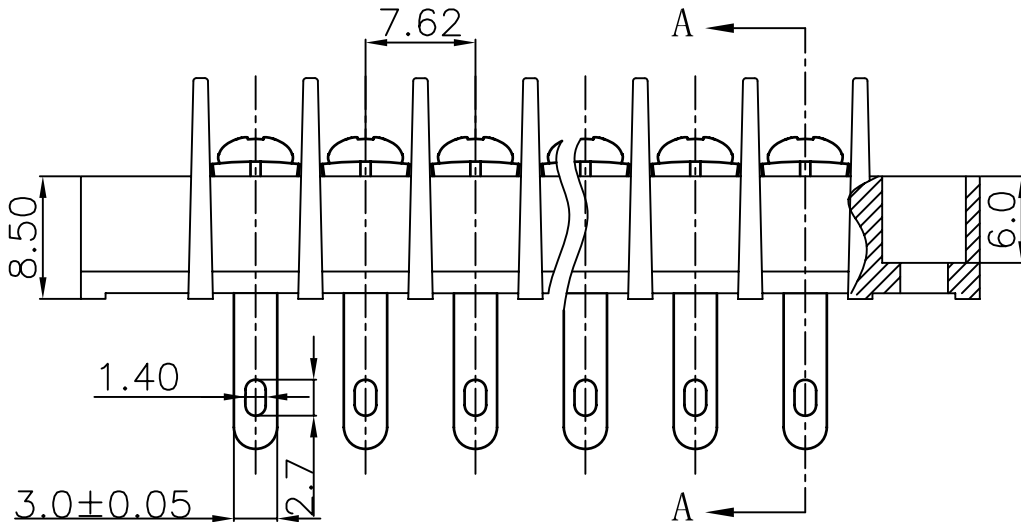


REVISION RECORD					
REV	ECO	DESCRIPTION	DRFT	DATE	
1		10.4±0.1变更10.9±0.30	hefei	05\18\05	
2		图面更新	CSX	02/16/06	
3		修改图面	CSX	08/05/06	
4		增加UL刻字	YeJ	11/06/06	
5		品名、料号增加环保标识“(H)”	YeJ	12/08/07	

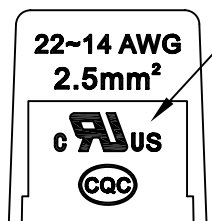
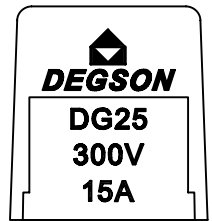


NOTES:

1. Pitch:7.62mm
2. Rated current:15A
3. Rated voltage:300V
4. Operation temperatures:-40° C~+105° C
5. Insulation Withstand Voltage:AC2000V/1Min
6. Insulation Resistance:500MΩ/DC500V
7. Wire Range:22~14AWG
8. Max. Torque:5.1kgf.cm
9. Undimensioned Tolerances:



Pitch range in mm		Nominal dimension range in mm						
to	over	over	to	over	over	over		
6	6 to 10	10 to 24	30	30 to 60	60 to 100	100 to 150	150	
±0.10	±0.15	±0.25	±0.2	±0.3	±0.5	±0.7	±1.0	
							0.05/10	



ITEM	NAME OF PART	NO. OF PART	Q'TY	MATERIAL	NOTES
3	3*6 bright-Screw	S000000450 (H)	XX	Steel	Ni Plated
2	DG25H-Pin Header	5001B00030 (H)	XX	Brass	SnCe
1	DG25H-A Housing	5001M0YXXA (H)	1	PA66	UL94V-0

DETACHED LISTS	MM (INCH)	DFTO hefei	DATE 05\13\05	宁波高正电子有限公司 DEGSON ELECTRONICS CO., LTD
	TOLERANCES EXCEPT AS NOTED	CHKD	DATE	
		MFO	DATE	
		APPVL	DATE	
	MM	MATERIAL :		NAME
	.0 ±			DG25H-A-XXP-1Y-00A(H)
	.00 ±			DRAWING NO. DG25H-E03
	.000 ±			/PART NO.
	ANGLES ± 1°	G.E :		SIZE A3
		FINISH :		REV T5
	THIRD ANGLE PROJECTION	SCALE : 1:1		12/08/07
		DO NOT SCALE DRAWING		SHEET 1 OF 1