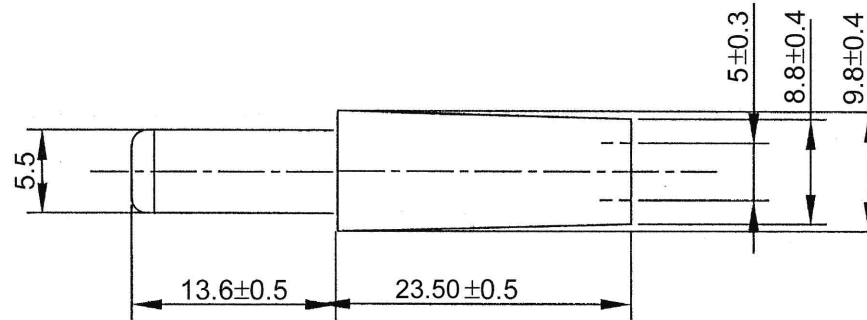
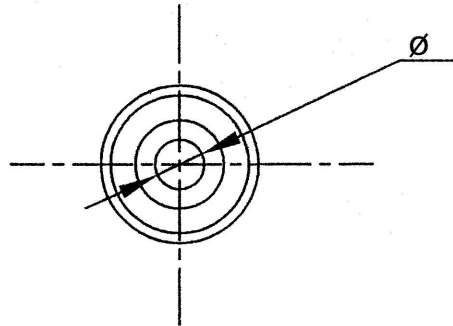


RoHS STANDARD



Model No.	NP-121A-EN(HY)	NP-121B-EN(HY)
Pin	∅2.5	∅2.0

Technical requirement :

- 1 . This product should meet EU RoHS related requirement.
- 2 . The surface of plastic part should be without any crackle such as burr,lack,and so on phenomenon.
- 3 . The surface of metal part should be without any defect such as scour,nick,oxidation and plating problem.
- 4 . The electronic performance should be the same as spec.
- 5 . The un-specified tolerance is : 0~1.5 ± 0.1
1.5~20 ± 0.2

Specification :

Contact Resistance : 30m ohm max.
 Insulation Resistance : 100M ohm min. at DC 500V
 Dielectric Strength : AC 500V for one minute.

DCI DRAGON CITY INDUSTRIES LIMITED

PART NAME	DC POWER PLUG	TOLERANCE : ±	DESIGN	K.W LAW	REMARK	SCALE
			DRAWING	W.K YEUNG	REMARK	MATERIAL
PART NO.	NP-121-EN(HY)	UNIT: MM	CHECK	K.L WONG	REMARK	DWG. NO. A612161455
			APPROVAL	K.W CHAN	REMARK	SHEET