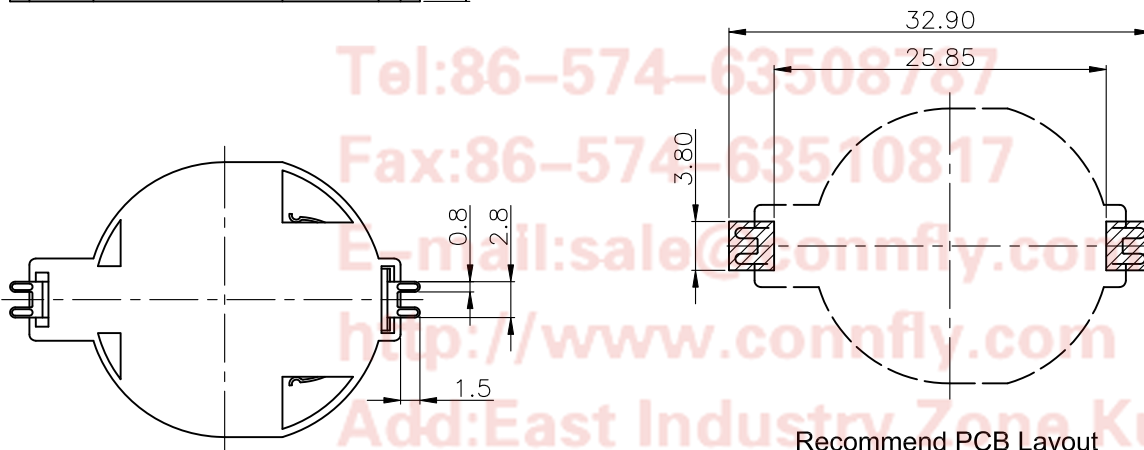
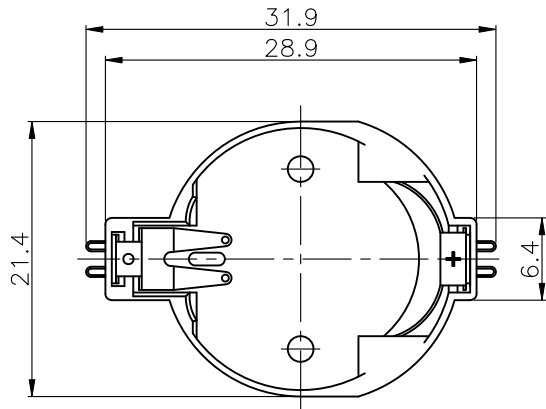


REV.	DESCRIPTION	DRAWN	CHECKED	APPROVED
A	NEW RELEASE	YCH 08/07/12'	~	LJC 08/07/12'
B	DRAWING UPDATE	JLZ 06/10/17'	~	



NOTE:

1. Materials:

1.1 Base: Thermoplastic, UL94 V-0, Color of black.
Temp. Range: -40°C to +105°C.

1.2 Positive & Negative Contacts: Copper Alloy.

2. Specification:

2.1 Dielectric Withstanding Voltage: AC 500V AC.

2.2 Insulation Resistance: 1000MΩ min.

2.3 Contact Resistance: 100mΩ Max.

3. Part Number Code:

DS1092-13 - X X X

Housing material:

S: PPS

Contact plating:

8: Gold Flash

Housing color:

N: Brown

Tel: 86-574-63508787

Fax: 86-574-63510817

E-mail: sale@connfly.com

http://www.connfly.com

Add: East Industry Zone KuangYan

Town Cixi Ningbo China

P.C: 315333

Recommend PCB Layout
Tolerance = ±0.05

GENERAL TOLERANCE		ANGLE TOLERANCE		PROJECTION	TITLE	2032 Lithium Coin Cell Battery Holders Horizontal insert SMT type	
X.	±0.60	X.	±5°	mm			
.X	±0.38	.X	±3°				
.XX	±0.25	.XX	±2°				
DRAWING TYPE		CUSTOMER		SHEET SIZE	SERIES	DS1092-13 Series	
SCALE		1:1		A4			
DRAWING NO.		C-DS1092-13-XXX-B		SHEET		10F1	



晨翔电子有限公司

CONNFLY CONNFLY ELECTRONIC CO. LTD