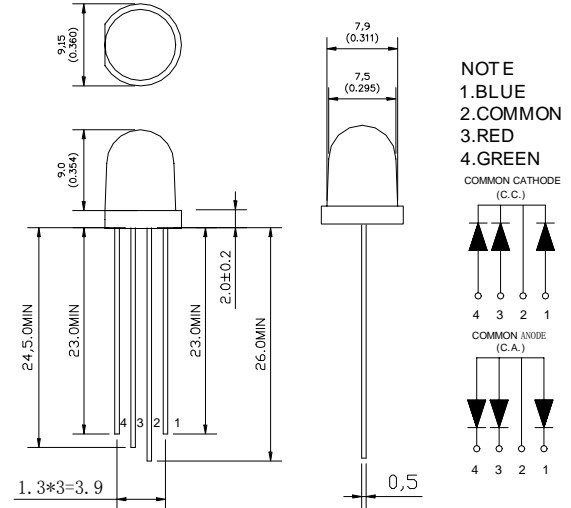


GNL-8003RGBxx (Φ 5mm ROUND LED) Full Color LED Lamp

ABSOLUTE MAXIMUM RATING:(Ta=25°C)

Parameter			Unit
DC Forward Current	30		mA
Reverse Voltage	5		V
Reverse Current (Vr=5V)	10		μA
Peak Forward Current ,tw ,=1 msec Duty ,=1/20	150		mA
Operation Temperature	-40	+80	°C
Storage Temperature	-40	+100	°C
Solder Dip (5 seconds,1.6mm from body) Temperature	300	±5	°C



Feature:

- 1.Small flange without stand-off
- 2.Long life-solid state reliability
- 3.Long lead length(26mm)
- 4.Versatile mounting on P.C. board or panel

Description:

- 1.The shape of this series is round
- 2.General application is for indication,illumination,etc.
- 3.These LED lamps are available with a choice of defferent colors,light intensities,epoxy colors,etc.

Part Number	EMITTED COLOR		Lens Color	Peak Wavelength (nm)	Vf (v) Typ.	IV (If=20mA) mcd		View Angle 2 θ 1/2
						Min.	Typ.	
GNL-8003RGBC-A (C.A.) GNL-8003RGBC-C (C.C.)	AlGaInP InGaN	Orange Red Pure Green	Water Clear	625	2.0	1500	2000	25 °
	InGaN	Pure Blue		470	3.5	800	1200	
GNL-8003RGBW-A (C.A.) GNL-8003RGBW-C (C.C.)	AlGaInP InGaN InGaN	Orange Red Pure Green Pure Blue		White Diffused	625	2.0	200	
			525	3.5	400	600		
			470	3.5	150	200		
GNL-8003RGBC-TL-A (C.A.) GNL-8003RGBC-TL-C (C.C.)	AlGaInP InGaN InGaN	Orange Red Pure Green Pure Blue	Water Clear	628	2.0	2500	3500	25 °
				525	3.5	4000	5000	
				470	3.5	1000	1500	
GNL-8003RGBW-TL-A (C.A.) GNL-8003RGBW-TL-C (C.C.)	AlGaInP InGaN InGaN	Orange Red Pure Green Pure Blue	White Diffused	625	2.0	300	500	25 °
			525	3.5	500	700		
			470	3.5	200	250		