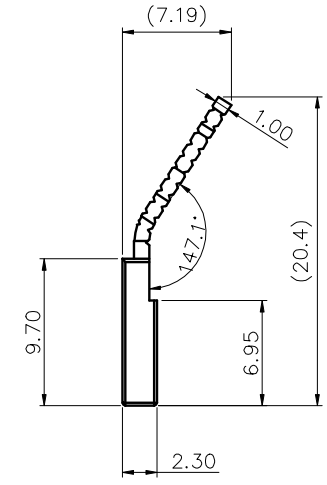
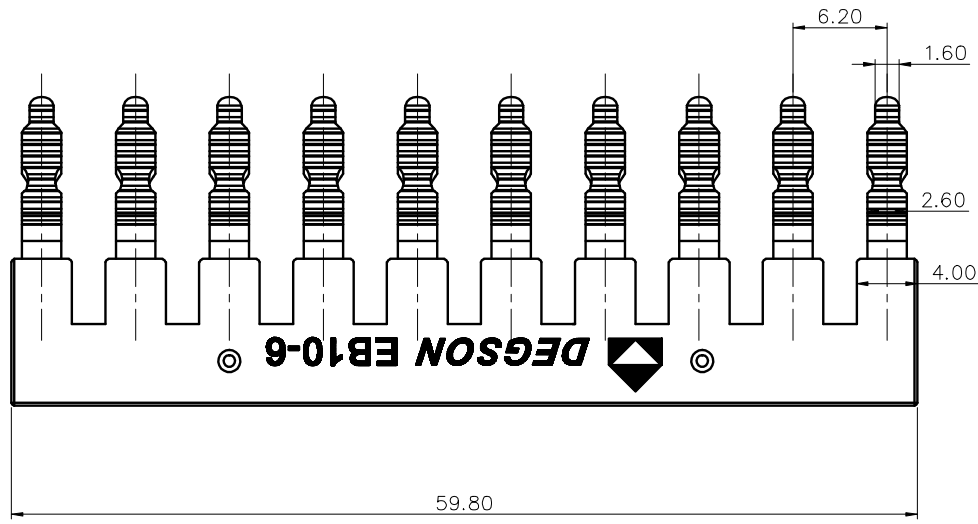


REVISION RECORD				
REV	ECN	DESCRIPTION	DRFT	DATE

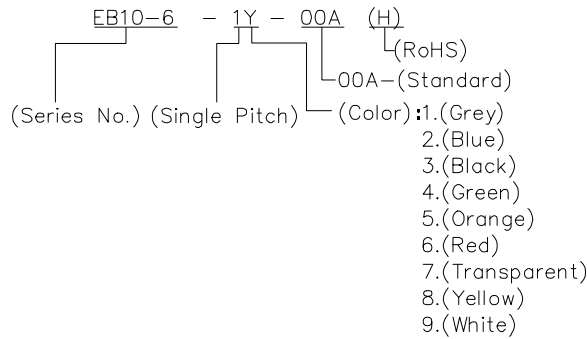


NOTES:

- 1.Dimension shall be interpreted per ASME Y14.5-2009
- 2.Pitch : 6.20mm, Poles : 10P
- 3.Operating temperature: -40°C~+105°C
- 4.Undimensioned tolerances:

Pitch range in mm			Nominal dimension range in mm					-	∩	∇
TO	Over TO	Over TO	TO	Over TO	Over TO	Over TO	0.1/10			
6	10	24	30	30	60	100	150	<		
±0.15	±0.20	±0.30	±0.30	±0.50	±0.70	±1.00	±1.30	±2'		

5.RoHS Compliance



DETACHED LISTS	PART NO.:	宁波高松电子有限公司 NINGBO DEGSON ELECTRICAL CO., LTD			
	APPD:	NAME: EB10-6-1Y-00A(H)			
	CHKD:	TITLE: CUSTOMER DRAWING		REV	DO
	DRFT:	DRAWING NO.:		SHEET	1/1
	THIRD ANGLE PROJECTION		MM (INCH)	DO NOT SCALE DRAWING	SCALE