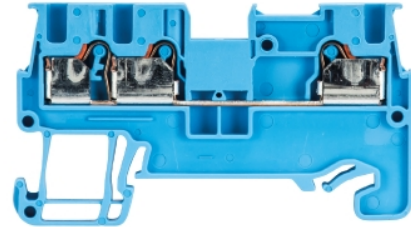


Data sheet

Commercial Art.No.: 56.202.5055.6

Duo-modular terminal WTP 1,5 D1/2 BL

Feed-through terminal with push in connection for mounting on TS 35, nominal cross section: 1,5 mm², Width: 3,5 mm, Color: blue



Commercial Art.No.	56.202.5055.6
EAN	4049088388460
Order Unit	100

Technical data

General

Nominal cross section	1.5 mm ²
Color	Blue
Number of levels	1
Number of clamp positions per level	3
Width/grid dimension	3.5 mm
Insulating housing	PA666
Inflammability class of insulation material acc. with UL94	V0

Technical data

Rated current	17.5 A
Rated voltage	500 V
Rated impulse voltage	6 kV
Pollution degree	3
Type of insulation material	Thermoplastic
Length	55.9 mm
Width	3.5 mm
Height	31.2 mm

Connection Data

Connection type	Plug-in connection
Connection type 1	Plug-in connection
Minimum cross section solid	0.14 mm ²
Maximum cross section solid	2.5 mm ²
Minimum cross section fine stranded	0.14 mm ²
Maximum cross section fine stranded	1.5 mm ²
Wire strip length	8 mm

Classification

ECLASS 11	
ECLASS 8.1	27141120

ETIM 7.0	EC000897
ETIM 6.0	EC000897
ETIM 5.0	EC000897
ETIM 4.0	EC000897
ETIM 3.0	EC000897

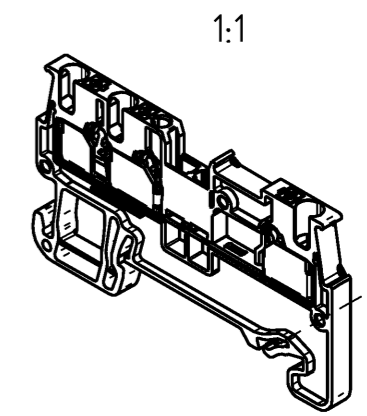
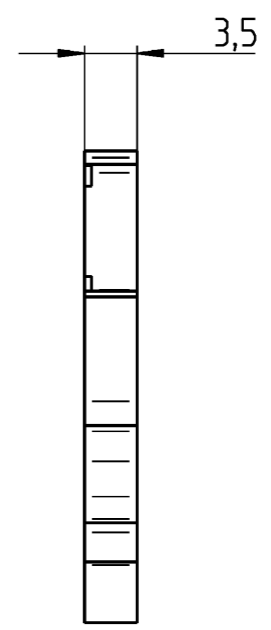
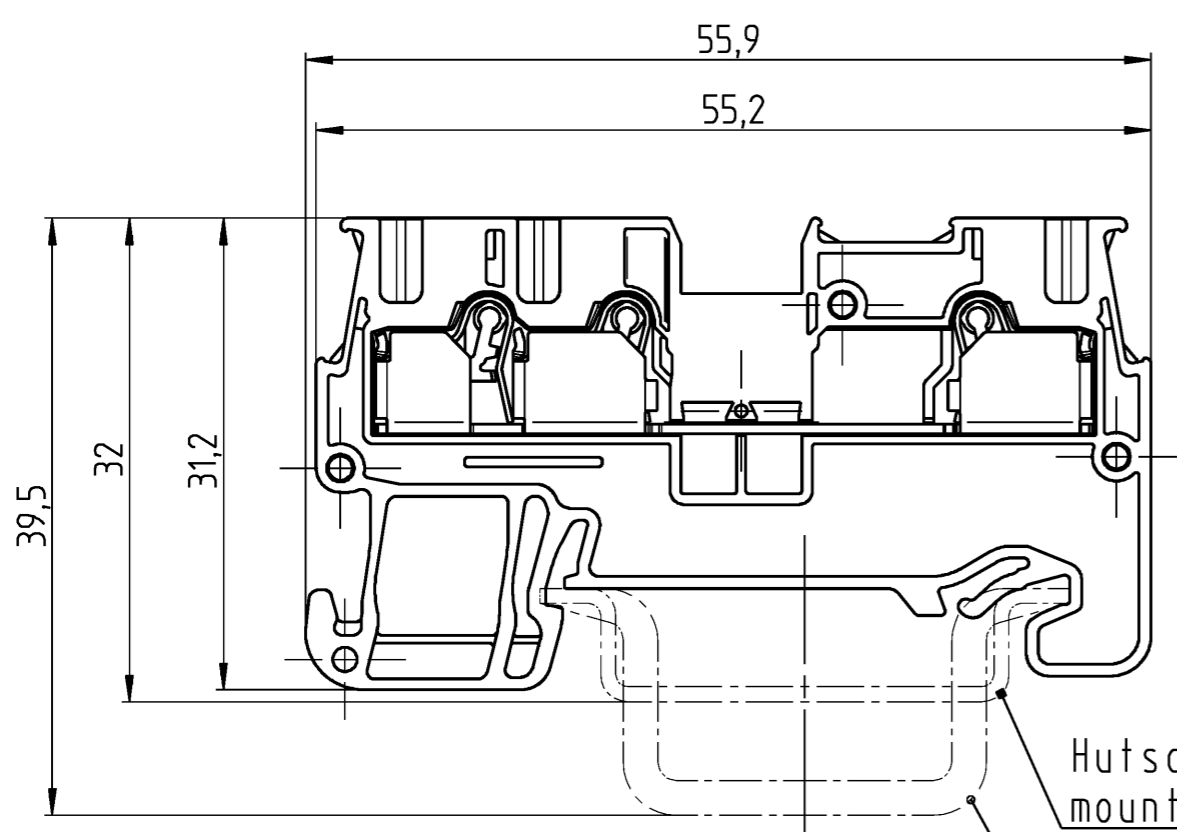
Product compliance

REACH-SVHC conformity status	Compliant
------------------------------	-----------

Accessories

Commercial Art.No.:	Article-type description:	Description:
Z7.284.7027.0	Jumper bar IVB WTP 1,5- 2	Cross connector, insulated for DIN rail terminal blocks type WTP 1,5, 2-pole
Z7.284.7227.0	Jumper bar IVB WTP 1,5- 4	Cross connector, insulated for DIN rail terminal blocks type WTP 1,5, 4-pole
Z7.284.7327.0	Jumper bar IVB WTP 1,5- 5	Cross connector, insulated for DIN rail terminal blocks type WTP 1,5, 5-pole
Z7.284.7427.0	Jumper bar IVB WTP 1,5- 10	Cross connector, insulated for DIN rail terminal blocks type WTP 1,5, 10-pole
04.344.2655.0	Warning cover AD WTP 1,5	Cover with warning symbol for DIN rail terminal blocks type WTP 1,5..., color: yellow
07.313.4555.0	End plate AP WTP 1,5 D1/2	End plate for DIN rail terminal blocks type WTP 1,5 D1/2..., color: grey
Z7.284.7127.0	Jumper bar IVB WTP 1,5- 3	Cross connector, insulated for DIN rail terminal blocks type WTP 1,5, 3-pole
07.313.5555.0	Partition TW WTP 1,5 D1/2 D2/2 E	Partition for DIN rail terminal blocks type WTP D1/2 E... and WTP D2/2 E..., color: grey
98.300.0000.0	Mounting rail TS 35x7,5 UNPERF - l:2000mm	Mounting rail TS 35, unslotted, size 7,5 mm, length 2 m, material steel. galv. zinc-plated and dichromated
98.300.1000.0	Mounting rail TS 35x7,5 PERF 15mm - l:2000mm	Mounting rail TS 35, slotted, size 7,5 mm, length 2 m, material steel. galv. zinc-plated and dichromated
98.300.1800.0	Mounting rail TS 35x7,5 PERF 18mm - l:2000mm	Mounting rail TS 35, slotted, size 7,5 mm, length 2 m, material steel. galv. zinc-plated and dichromated
98.300.1900.0	Mounting rail TS 35x7,5 PERF 25mm - l:2000mm	Mounting rail TS 35, slotted, size 7,5 mm, length 2 m, material steel. galv. zinc-plated and dichromated
98.360.0000.0	Mounting rail TS 35x15-2,3 UNPERF - l:2000mm	Mounting rail TS 35, unslotted, size 15 mm, length 2 m, material steel. galv. zinc-plated and dichromated
98.360.0004.0	Mounting rail TS 35x15-2,3 UNPERF FZN - l:2000mm	Mounting rail TS 35, unslotted, size 15 mm, length 2 m, material steel, hot galvanized
98.370.0000.0	Mounting rail TS 35x15 UNPERF - l:2000mm	Mounting rail TS 35, unslotted, size 15 mm, length 2 m, material steel. galv. zinc-plated and dichromated
98.370.1000.0	Mounting rail TS 35x15 PERF 15mm - l:2000mm	Mounting rail TS 35, slotted, size 15 mm, length 2 m, material steel. galv. zinc-plated and dichromated
98.380.0000.0	Mounting rail TS 35x15-2,3 UNPERF CU - l:2000mm	Mounting rail TS 35, unslotted, size 15 mm, length 2 m, material E copper
04.403.0056.0	Marking tags for DIN rail terminal blocks WMP 3,5 SI2KTB3590DW	Plate with marking tags for DIN rail terminal blocks with a width of 3.5mm, 75 tags per plate, tag size: 3x9.1mm, color: white, unmarked, markable with Wieprint printing-system

A These dimensions will be especially checked at delivery
 B Only inspection dimensions
 C With JE marked dimensions are only valid for internal use
 D Diese Maße werden bei Abnahme besonders geprüft
 Ausschließlich Prüfmaße
 Mit JE gekennzeichnete Maße sind nur für interne Zwecke gültig



Weitergabe sowie Vervielfältigung dieses Dokuments, Verwertung und Mitteilung seines Inhalts sind verboten, soweit nicht ausdrücklich gestattet. Die Reproduktion, Distribution und Nutzung dieses Dokuments sowie die Kommunikation mit anderen ohne ausdrückliche Genehmigung ist untersagt.

Teilenummer / part number	Farbe / color	Type
56.202.5055.0	kieselgrau / pebble grey	WTP 1,5 D1/2
56.202.5055.1	schwarz / black	WTP 1,5 D1/2 black
56.202.5055.2	weiß / white	WTP 1,5 D1/2 white
56.202.5055.4	oxidrot / oxide red	WTP 1,5 D1/2 oxide red
56.202.5055.5	tomatenrot / tomato red	WTP 1,5 D1/2 red
56.202.5055.6	lichtblau / light blue	WTP 1,5 D1/2 blue
56.202.5055.7	grün / green	WTP 1,5 D1/2 green
56.202.5055.8	gelb / yellow	WTP 1,5 D1/2 yellow
56.202.5055.9	orange / orange	WTP 1,5 D1/2 orange

Weitere Daten siehe KATALOG oder eKatalog
 additional data see CATALOG or eCATALOG www.wieland-electric.com
eshop.wieland-electric.com

Tolerierung Size ISO 14405 © / Tolerance system Size ISO 14405 ©.
 (This ISO-standard describes the envelope principle. According to the envelope principle the deviations of form and parallelism are limited by the size tolerances).

Freitoleranz nach General tolerance CAD - Zeichnung, keine manuellen Änderungen CAD - drawing, no manual modifications allowed

ja/yes Stoffverbots- und Deklarationsliste nach WN 5020.010 ist einzuhalten.
 Conformity with Wieland document WN 5020.010 e (list of prohibited / declarable hazardous substances) to be declared!

1. Verwendung: First Use: Blatt: 1 von 1 Sheet: 1 of 1

Werkstoff / Material	Tag/Date	Name	Zeichnung Nr. / Drawing No.	Index
gezeichnet / drawn	20.01.2017	Hennemann V.		
Maßstab / Scale	geprüft / checked	Normgepr. / Stand. check	T 56.202.5055.0 01K	Maße in mm / Dimensions are in mm
2:1				
Vol.. --- mm ³	OfL./Surf. --- mm ²	Ersatz für / Replacement for:		
www.wieland-electric.com		Type	Benennung/Title	
www.wieland-electric.com		see table	DURCHGANGSKLEMME	
Änderung / Revision		push in terminal		