

Data sheet

Commercial Art.No.: 92.050.1553.1

Flat cable adapter GST1815A S1 F7 SW

gesis® NRG mains feed-in for flat cable; colour: black; 250/400 V; 20 A; IP40; integrated strain-relief to feed-in with round cables, diameter: 12 to 16 mm, cross-section fine-stranded: 2,5 bis 4 mm², solid: 2,5-6 mm²; Piercing-contact screws with Torx-head; for gesis® NRG flat cable 5G2,5, 5G4, 5G2,5+2x1,5 and 5G4+2x1,5



Commercial Art.No.	92.050.1553.1
EAN	4049088287046
Order Unit	1

Certificates / Approvals



Technical data

Classification

ECLASS 11	
ECLASS 8.1	27440601
ETIM 7.0	EC002588
ETIM 6.0	EC002588
ETIM 5.0	EC002588
ETIM 4.0	EC002588

General

Rated current	20 A
Degree of protection (IP)	IP20
Mechanical coding	yes
Marking of poles	L3, L2, PE, N, L1
Color of coding/ contact carrier	black
Color housing	white
Lockable	self-locking (unlocking by tool)

Connection Data

Connection cross section solid mm ² max.	6 mm ²
Connection cross section solid mm ² min.	2.5 mm ²
Connection cross section fine stranded mm ² max.	4 mm ²
Connection cross section fine stranded mm ² min.	2.5 mm ²
Type of termination (round cable)	screw connection
sheath strip length	100 mm
Wire strip length	8 mm

Model

Model	central feed-in
-------	-----------------

Material

halogen free	yes
Contact material	CuZn
Fire load	0.754 kWh

Dimensions

Length	108.5 mm
Width	61 mm
Height	47.6 mm

Product compliance

ROHS conformity status	Compliant/Exempted
ROHS exceptions	III-6(c)
REACH-SVHC conformity status	Duty-To-Declare
REACH-SVHC substances	Lead
REACH-SVHC CAS numbers	7439-92-1

Accessories

Commercial Art.No.:	Article-type description:	Description:
06.502.5910.0	Screwdriver bit TX 10x50	Screw driver insert TX 10x50 for hexagon socket
99.681.0000.0	sample case GESIS NRG 5x2,5+5x4MM ²	geis® NRG sample case 5G2,5 and 5G4 mmm ² ; contains feed-in and tapping geis® NRG BASIC and DIMM, flat cable 5G2,5 mm ² PVC pastel blue, flat cable 5G4 mm ² halogenfree green, end caps, screw driver TX10.

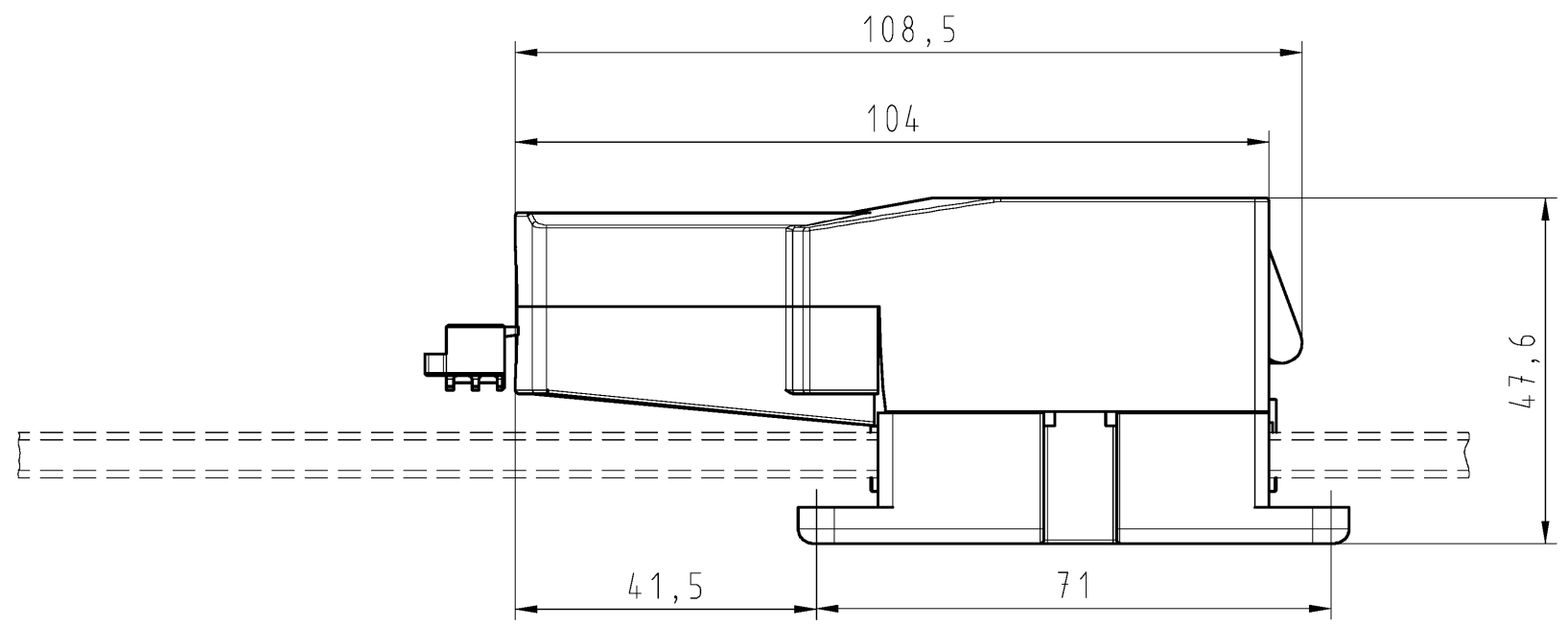
Fits with

Commercial Art.No.:	Article-type description:	Description:
00.712.0303.1	Flat cable 5G2,5MM ² PVC SCHWARZ	geis® NRG BASIC flat cable; mains 5G2.5; 20 A; 0.6/1 kV; PVC CPR class Eca; color: black.
00.712.0303.7	Flat cable 5G2,5MM ² PVC GRÜN	geis® NRG BASIC flat cable; mains 5G2.5; 20 A; 0.6/1 kV; PVC CPR class Eca; color: green
00.712.0323.7	Flat cable 5G2,5+2x1,5 PVC MSCHIRM	geis® NRG BASIC+KNX flat cable; mains 5G2.5; 20 A; 0.6/1 kV; bus 2X1.5; 3 A; 50 V; shielded; PVC CPR class Eca; color: green.
00.712.1323.1	Flat cable 5G2,5+2x1,5 PVC OSCHIRM	geis® NRG BASIC+SIGNAL flat cable; mains 5G2.5; 20 A; 0.6/1 kV; bus 2X1.5; 6 A; 250 V; unshielded; PVC CPR class Eca; color: black.
00.770.0303.1	Flat cable 5G2,5MM ² HF SCHWARZ TYP B	geis® NRG BASIC flat cable; mains 5G2.5; 20 A; 0.6/1 kV; halogen free fire class: B2ca s1a d1 a1; color: black.
00.770.0303.7	Flat cable 5G2,5MM ² HF GRÜN	geis® NRG BASIC flat cable; mains 5G2.5; 20 A; 0.6/1 kV; halogen free fire class: B2ca s1a d1 a1; color: green.
00.770.0304.1	Flat cable 5G4MM ² HF SCHWARZ	geis® NRG BASIC flat cable; mains 5G4; 20 A; 0.6/1 kV; halogen free fire class: B2ca s1a d1 a1; color: black.
00.770.0304.7	Flat cable 5G4MM ² HF GRÜN	geis® NRG BASIC flat cable; mains 5G4; 20 A; 0.6/1 kV; halogen free fire class: B2ca s1a d1 a1; color: green.
00.770.0323.7	Flat cable 5G2,5+2x1,5 HF MSCHIRM	geis® NRG BASIC+KNX flat cable; mains 5G2.5; 20 A; 0.6/1 kV; bus 2X1.5; 3 A; 50 V; shielded; halogen free fire class: B2ca s1a d2 a1; color: green.

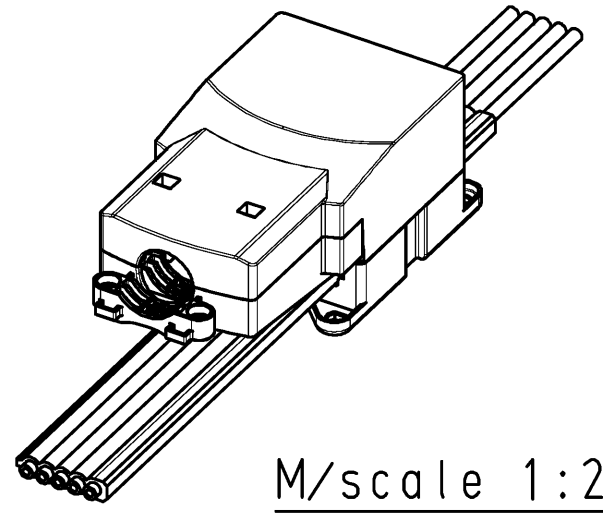
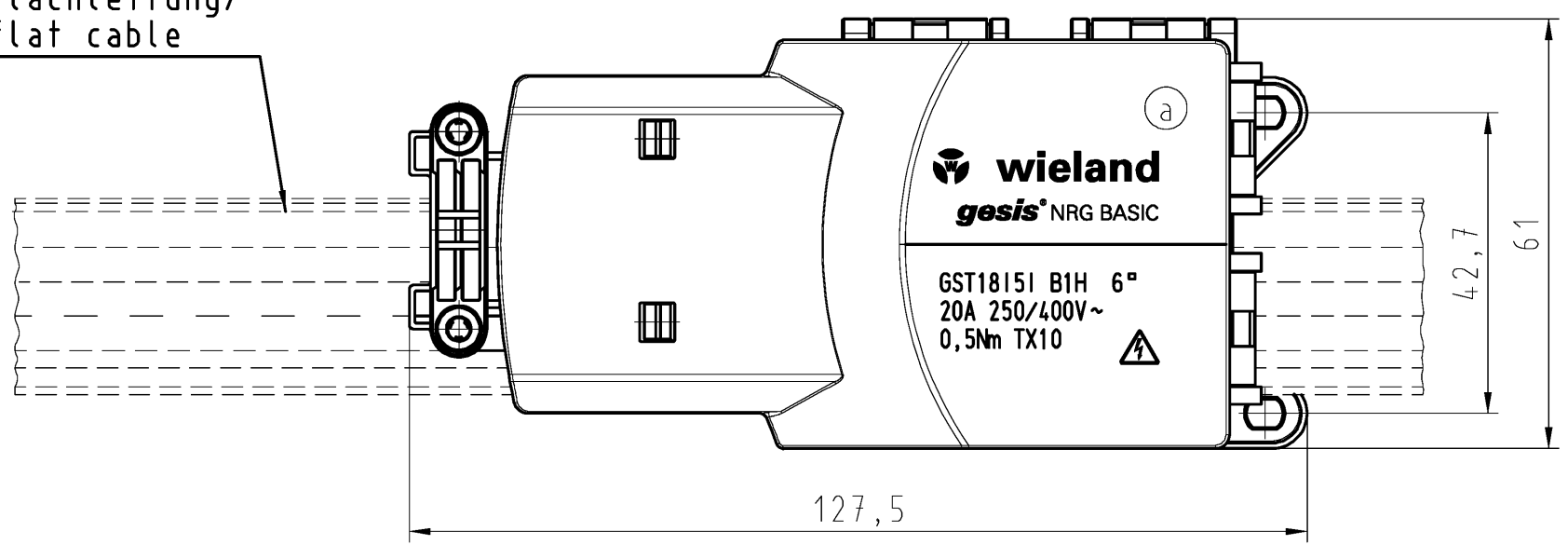
00.770.0324.7	Flat cable 5G4+2x1,5 HF MSCHIRM	geis® NRG BASIC+KNX flat cable; mains 5G4; 20 A; 0.6/1 kV; bus 2X1.5; 3 A; 50 V; shielded; halogen free fire class: B2ca s1a d2 a1; color: green.
00.770.1323.1	Flat cable 5G2,5+2x1,5LSOH OSCHIRM	geis® NRG BASIC+SIGNAL flat cable; mains 5G2.5; 20 A; 0.6/1 kV; bus 2X1.5; 6 A; 250 V; unshielded; halogen free fire class: B2ca s1a d1 a1; color: black.
00.770.1324.1	Flat cable 5G4+2x1,5LSOH OSCHIRM	geis® NRG BASIC+SIGNAL flat cable; mains 5G4; 20 A; 0.6/1 kV; bus 2X1.5; 6 A; 250 V; unshielded; halogen free fire class: B2ca s1a d1 a1; color: black.
00.710.0303.1	Flat cable 5G2,5MM ² HF SCHWARZ	geis® NRG BASIC flat cable; mains 5G2.5; 20 A; 0.6/1 kV; halogen free CPR class Eca; color: black.
00.710.0303.7	Flat cable 5G2,5MM ² HF GRÜN	geis® NRG BASIC flat cable; mains 5G2.5; 20 A; 0.6/1 kV; halogen free CPR class Eca; color: green.
00.710.0304.1	Flat cable 5G4MM ² HF SCHWARZ	geis® NRG BASIC flat cable; mains 5G4; 20 A; 0.6/1 kV; halogen free CPR class Eca; color: black.
00.710.0304.7	Flat cable 5G4MM ² HF GRÜN	geis® NRG BASIC flat cable; mains 5G4; 20 A; 0.6/1 kV; halogen free CPR class Eca; color: green.
00.710.0323.7	Flat cable 5G2,5+2x1,5 HF MSCHIRM	geis® NRG BASIC+KNX flat cable; mains 5G2.5; 20 A; 0.6/1 kV; bus 2X1.5; 3 A; 50 V; shielded; halogen free CPR class Eca; color: green.
00.710.0324.7	Flat cable 5G4+2x1,5 HF MSCHIRM	geis® NRG BASIC+KNX flat cable; mains 5G4; 20 A; 0.6/1 kV; bus 2X1.5; 3 A; 50 V; shielded; halogen free CPR class Eca; color: green.
00.710.1323.1	Flat cable 5G2,5+2x1,5LSOH OSCHIRM	geis® NRG BASIC+SIGNAL flat cable; mains 5G2.5; 20 A; 0.6/1 kV; bus 2X1.5; 6 A; 250 V; unshielded; halogen free CPR class Eca; color: black.
00.710.1324.1	Flat cable 5G4+2x1,5LSOH OSCHIRM	geis® NRG BASIC+SIGNAL flat cable; mains 5G4; 20 A; 0.6/1 kV; bus 2X1.5; 6 A; 250 V; unshielded; halogen free CPR class Eca; color: black.

These dimensions will be especially checked at delivery
Only inspection dimensions
With /E marked dimensions are only valid for internal use

Diese Maße werden bei Abnahme besonders geprüft
Ausschließlich Prüfmaße
Mit /E gekennzeichnete Maße sind nur für interne Zwecke gültig



Flachleitung/
flat cable



Tolerierung Size ISO 14405 (E)/Tolerance system Size ISO 14405 (E). (This ISO-standard describes the envelope principle. According to the envelope principle the deviations of form and parallelism are limited by the size tolerances).				ja/yes <input checked="" type="checkbox"/> Stoffverbots- und Deklarationsliste nach WN 5020.010 ist einzuhalten. Conformity with Wieland document WN 5020.010 e (list of prohibited / declarable hazardous substances) to be declared!			
Freitoleranz nach General tolerance		CAD - Zeichnung, keine manuellen Änderungen CAD - drawing, no manual modifications allowed		1. Verwendung: - First Use:		Blatt: 1 von 1 Sheet: of 1	
/		Werkstoff/Material Farbe/colour: schwarz/black		2015 Tag/Date Name		Zeichnung Nr./Drawing No.	
/		Maßstab/Scale 1:1		gezeichnet drawn 21.1. Ritter		92.050.1553.1 01K a	
/		Vol. mm ³ Ofl./Surf. mm ²		geprüft checked -		Index	
/		Vol. mm ³ Ofl./Surf. mm ²		Normgepr. Stand. check -		Maße in mm/Dimensions are in mm	
/		Vol. mm ³ Ofl./Surf. mm ²		Ersatz für/Replacement for: -			
a 13.05.2015/ Datum / Blatt Date / Sheet		www.wieland-electric.com		Type Benennung/Title		ANSCHLUSSDOSE junction box	
Index		www.wieland-electric.com		GST1815A SI F7 SW		5-po. f. Flachbandleitung/5 pole f. flat conductor	
Änderung/Revision							

Weitergabe sowie Vervielfältigung dieses Dokuments, Verwertung und Mitteilung seines Inhalts sind verboten, soweit nicht ausdrücklich gestattet. Die Reproduktion, Distribution und Nutzung dieses Dokuments sowie die Kommunikation der Inhalte mit Dritten ohne schriftliche Genehmigung ist untersagt.