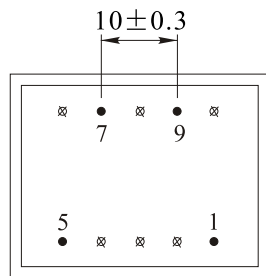
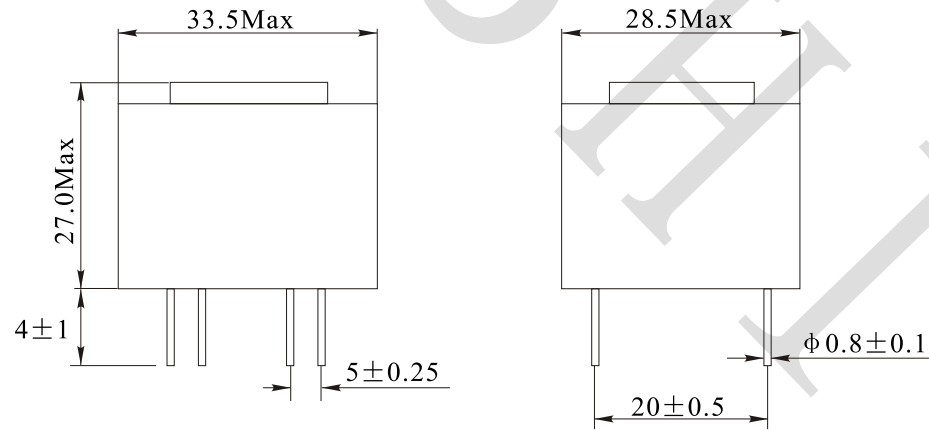


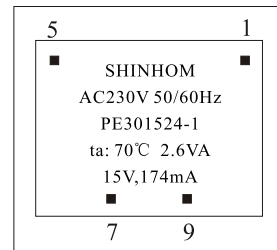
Rev.	Description	Date
A0	New release	2023.07.10

1. PHYSICAL CHARACTERISTICS (mm)

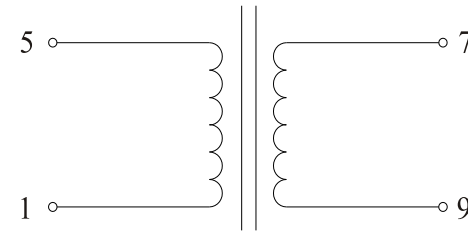


Bottom view

Top marking



2. ELECTRONICAL SCHEMATIC



3. ELECTRONICAL SPECIFICATIONS

Pri voltage: 230V, 50Hz

Sec load voltage: 15.0V ± 5% @ 174mA

Noload voltage: 27.4V Ref

Output Power: 2.6VA

Hi-Pot: 4000V, 50Hz, 1mA, 10S Pri to Sec

Note:

- Solderability: leads shall meet MIL-STD-202, Method 208D for solderability.
- Flammability: UL94V-0
- ASTM oxygen index: >28%

NOTES:

Temp 20°C 48%RH
RoHS Compliant

NAME:	Potting Transformer		
CUSTOMER P/N:	BV EI 304 2043	DATE:	2023-07-10
SHINHOM P/N:	PE301524-1	REV:	A0
DRAWN BY:	CHECKED BY:	APPROVE BY:	



SHINHOM
SHAANXISHINHOM ENTERPRISE CO LTD

The Document property belong to SHINHOM & is not allowed to be duplicated without authorization