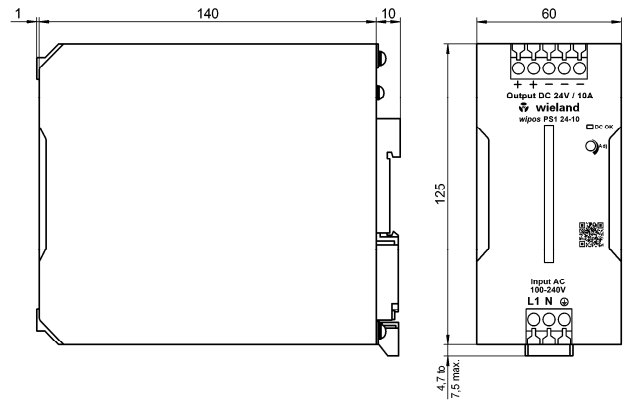
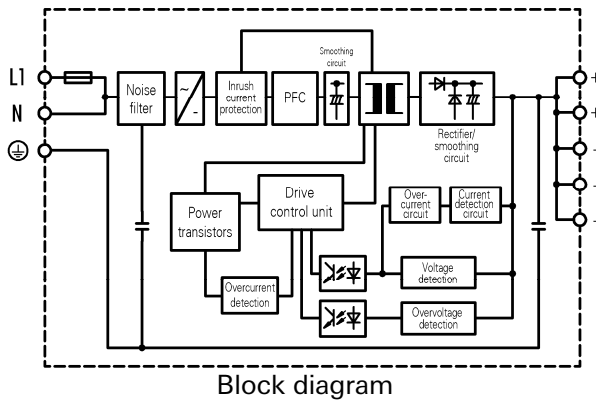




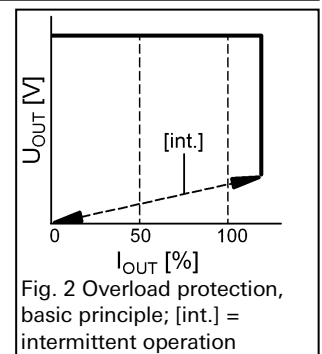
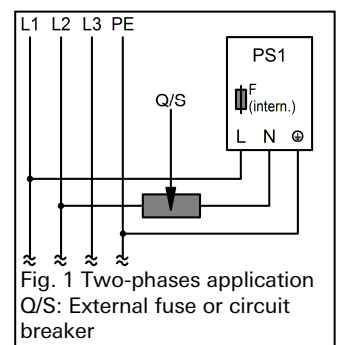
**wipos PS1 24-10**  
Switching power supply  
24 V DC/10 A  
81.000.6540.0

- Primary switching power supply, single phase
- Output: 24 V DC/10 A (adjustable 21.6 - 27.6 V DC)
- Input: 85 - 264 V AC; 90 - 350 V DC
- Full load up to 60 °C
- PFC technology
- Vertical mount
- Parallel operation (2 devices max.)




**Technical data**

wipos PS1 24-10	Part number: 81.000.6540.0
<b>Input (L, N)</b>	
Rated voltage AC	100 ... 240 V AC
Voltage range AC	85 ... 264 V AC
Line frequency AC	47 ... 63 Hz
Voltage range DC	90 ... 350 V DC
Rated input current 115/230 V AC typ.	2.4 A/1.3 A
Inrush current 115/230 V AC max.	16 A/32 A
Input fuse	8 A/250 V (internal)
Power factor correction filter (PFC)	yes (0.9 typ. at $U_i = 230$ V AC)
Two-phases application	85 - 264 V AC (see Fig. 1 Two-phases application) A fuse or circuit breaker has to be connected on N terminal
<b>Output (+, -)</b>	
Rated output power	240 W
Rated output voltage	24 V DC
Rated output current	10 A DC
Operation indicator Output voltage OK	"DC OK", LED green Display range ( $U_o \geq 19.4$ )
Output voltage trim range	21.6 V ... 27.6 V
Rated overload protection	121 % - 160 % (see Fig. 2 Overload protection)
Power boost function	120 %, max. 20 sec.
Efficiency typ.	92 %
Line regulation	$\pm 0.5$ %
Load regulation	$\pm 1.5$ %



## Technical data

wipos PS1 24-10		Part number: 81.000.6540.0
Temperature coefficient		± 0.05 %/K
Ripple & noise		< 180 mV <sub>ss</sub>
Hold up time 115/230 V AC		> 44 ms
Parallel operation		yes (max. 2 devices)
Parallel operation		yes (max. 2 devices with external diodes)
<b>General data</b>		
Isolation voltage (input/output)		3000 V AC/4242 V DC
Isolation resistance (input/output)		100 MOhm
Operating ambient temperature		-40 °C ... +70 °C (UL: max. 40 °C)
Storage temperature		-40 °C ... +85 °C
Derating		A. 60 °C ... 70 °C: 2.5 %/K B. 50 °C ... 70 °C: 2.5 %/K (see Fig. 3 Derating)
Humidity in operation		0 - 95 % RH, non-condensing
Ventilation/Cooling		Free convection
MTBF		360,000 h
Pollution degree		2
Degree of protection		IP 20
Safety class		1
Mounting		DIN rail 35 mm (EN 60715)
Mounting conditions (free space)		20 mm horizontal, 75 mm vertical
Dimensions (W x H x D)		60 x 125 x 150 mm
Weight		900 g
Housing material		Metal
<b>Connections</b>		
Connector cross section input	solid/stranded	0.5 - 6 mm <sup>2</sup> /0.5 - 4 mm <sup>2</sup> (AWG20 - 10/AWG20 - 12)
Connector cross section output	solid/stranded	2.5 - 6 mm <sup>2</sup> /2.5 - 4 mm <sup>2</sup> (AWG14 - 10/AWG14 - 12)
Connector cross section PE	solid/stranded	min. 2.5 mm <sup>2</sup> (AWG14)
Strip length		8 mm
Torque		0.5 ... 0.6 Nm
<b>Approvals and Standards</b>		
Standards		SELV: EN50178 / EN60950-1 / UL60950-1 PELV: EN50178 / EN60204-1
Approvals		CE / cURus / cULus / LR
<b>Control elements</b>		
Adj		Trim potentiometer for fine adjustment of U <sub>o</sub>
<b>Terminal assignment</b>		
+		2 x output voltage 24 V, positive output terminal (internally connected)
-		3 x output voltage 24 V, negative output terminal (internally connected)
L		AC: phase conductor, DC: no polarity
N		AC: neutral conductor, DC: no polarity
 (PE)		PE (Ground), always connect

