

INTRODUCTION

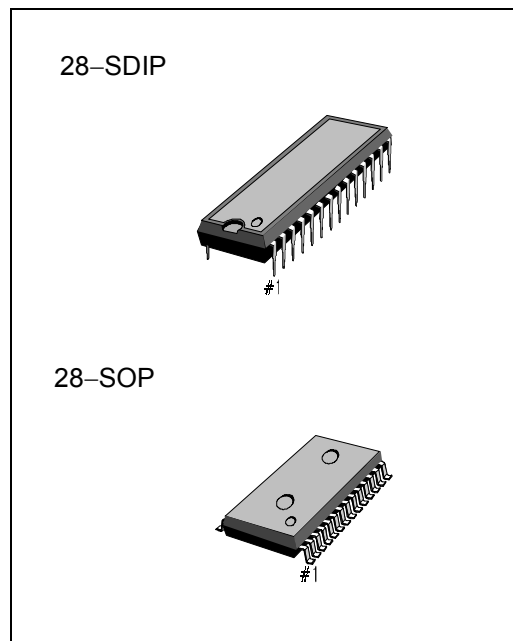
The KA22136/D is a monolithic intergrated circuit designed for use in low voltage and low power applications. It has functions including dual audio pre-power amplifier, electronic volume controller and DC motor speed controller in a single chip. It is suitable for portable tape recorders headphone cassette tape recorders or radios that are battery-operated.

FEATURES

- Low current consumption in an operating voltage range
- Operating supply voltage range: $V_{cc} = 2.1V \sim 5V$
- Only a few components in composing a headphone cassette tape recorder
- Dual audio pre-power amplifier, electronic volume controller and DC motor speed controller in a single chip
- Reduced input and output coupling capacitors because of 1/2 V_{cc} AMP adoption on chip as AC GND

ORDERING INFORMATION

Device	Package	Operating Temperature
KA22136	28-SDIP	-20°C ~ + 65°C
KA22136D	28-SOP	



BLOCK DIAGRAM

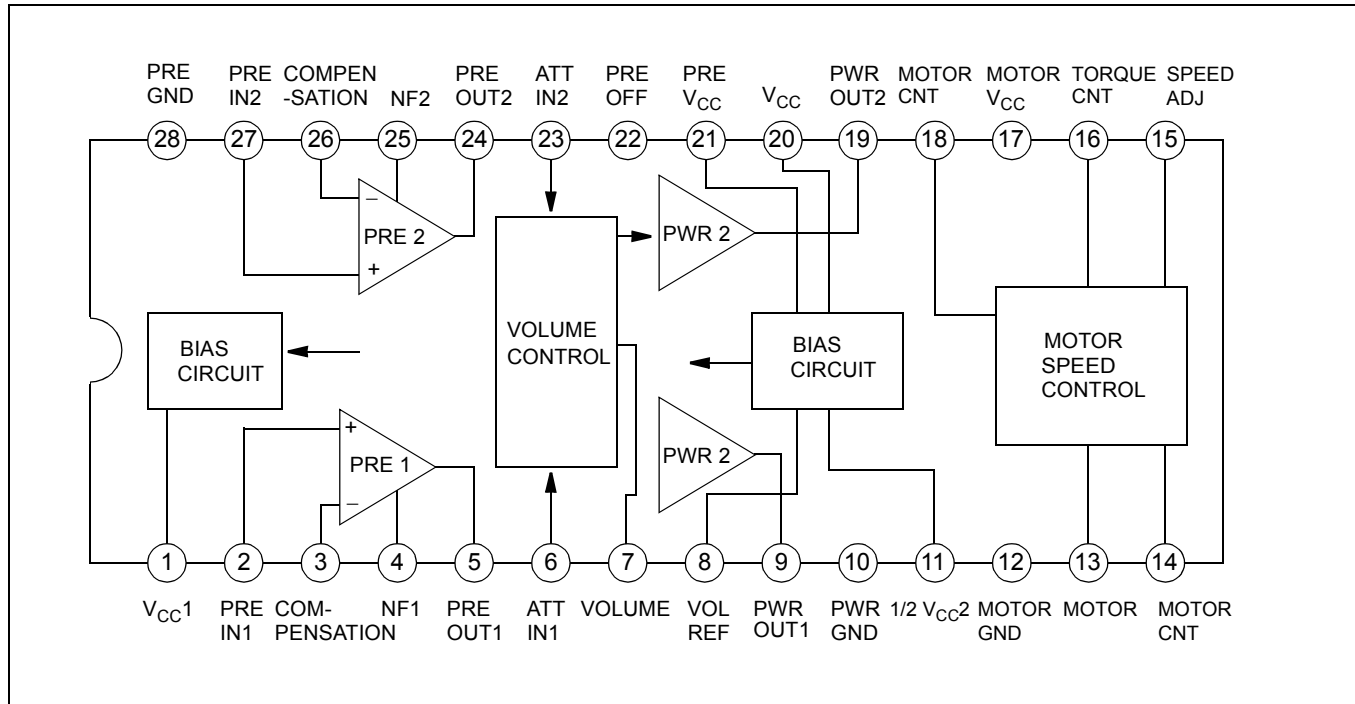


Figure 1.

ABSOLUTE MAXIMUM RATINGS (Ta = 25°C)

Characteristic	Symbol	Value	Unit
Supply Voltage	V _{CC}	7.5	V
Power Dissipation	P _O	450	mW
Operating Temperature	T _{OPR}	-20 ~ +70	°C
Storage Temperature	T _{STG}	-40 ~ +125	°C

ELECTRICAL CHARACTERISTICS(Ta = 25°C, V_{CC} = 3V, unless otherwise specified)

Characteristic	Symbol	Test Conditions	Min.	Typ.	Max.	Unit
Quiescent Circuit Current	I _{CCQ}	V _{CC} = 3V, V _I = 0, I _M = 0	–	18	25	mA

PRE AMPLIFIER SECTION(V_{CC} = 3V, f = 1kHz, R_{L1} = 10kΩ, unless otherwise specified)

Characteristic	Symbol	Test Conditions	Min.	Typ.	Max.	Unit
Open Loop Voltage Gain	G _{VO}	V _O = –10dBm, R _L = ∞	–	70	–	dB
Closed Loop Voltage Gain	G _{VC1}	V _O = –10dBm	40	42	44	dB
Output Voltage	V _O	THD = 1%	0.45	0.6	–	V
Total Harmonic Distortion	THD	V _O = 0.2V	–	0.05	0.5	%
Output Noise Voltage	V _{NO1}	V _I = 0, R _G = 2.2kΩ, BPF(30 ~ 20kHz)	–	150	300	μV
Input Resistance	R _I	V _O = 10dBm	18	22	–	kΩ
Cross Talk	CT ₁	R _G = 2.2kΩ, V _O = –10dBm	30	–	–	dB
Output Voltage In Pre OFF	V _{O(OFF)}	V _I = 100mV Pre OFF (pin 22) = V _{CC}	–	–	–50	dB

POWER AMPLIFIER SECTION(Ta = 25°C, V_{CC} = 3V, unless otherwise specified)

Characteristic	Symbol	Test Conditions	Min.	Typ.	Max.	Unit
Closed Loop Voltage Gain	G _{VC2}	P _O = 5mW	26	28	30	dB
Voltage Gain Difference	ΔG _V	V _{CONT} = Max	–	0	3	dB
Output Power 1	P _{O1}	THD = 10%, R _L = 32Ω	20	28	–	mW
Output Power 2	P _{O2}	THD = 10%, R _L = 16Ω	30	–	–	mW
Total Harmonic Distortion	THD ₂	P _O = 5mW	–	0.2	2.0	%
Pre+ Power Output Noise Voltage	V _{NO2I}	V _I = 0, R _G = 2.2kΩ, V _{CONT} = Max	–	6	10	mV
Output Noise Voltage	V _{NO3I}	R _G = 2.2 kΩ, V _{CONT} = Min	–	0.25	1.0	mV
Cross Talk	CT ₂	R _O = 5mW	20	30	–	dB
Ripple Rejection Ratio	RR	V _{CC} = 3V, 100Hz, 100mVp-p	34	40	–	dB

ATTENUATOR SECTION(Ta = 25°C, V_{CC} = 3V, f = 1kHz, unless otherwise specified)

Characteristic	Symbol	Test Conditions	Min.	Typ.	Max.	Unit
Maximum Input Voltage	V _{I(MAX)}	–	0.2	–	–	V
Maximum Attenuation	V _{ATT(MAX)}	V _{CONT} = Min	66	–	–	dB
Attenuation Error	V _{ATT(ERR)}	V _{CONT} = Max	–	0	–	dB
Input Impedance	Z _I	–	15	20	–	KΩ

MOTOR SPEED CONTROLLER(Ta = 25°C, V_{CC} = 3V, I_M = 100mA, unless otherwise specified)

Characteristic	Symbol	Test Conditions	Min.	Typ.	Max.	Unit
Circuit Current	I _{MC}	–	–	3.0	5.0	mA
Starting Current	I _{MS}	–	500	–	–	mA
Reference Voltage	V _{REF}	V(pin 15, 16)	0.72	0.80	0.87	V
Reference Voltage Regulation 1	ΔV _{REF1}	V _{CC} = 2.1 ~ 5.0 V	–	0.05	–	%/V
Reference Voltage Regulation 2	ΔV _{REF2}	I _M = 25 ~ 250 mA	–	0.01	–	%/mA
Reference Voltage Regulation 3	ΔV _{REF3}	Ta = -10 ~ 50 °C	–	0.01	–	%/°C
Current Coefficient	K	–	32	38	43	–
Current Coefficient Regulation 1	ΔK1	V _{CC} = 2.1 ~ 5.0 V	–	0.50	–	%/V
Current Coefficient Regulation 2	ΔK2	I _M = 25 ~ 250 mA	–	0.05	–	%/mA
Current Coefficient Regulation 3	ΔK3	Ta = -10 ~ 50 °C	–	0.02	–	%/°C
Saturation Voltage	V _{SAT}	I _M = 200mA, Pin14 = V _{CC}	–	–	0.6	V
Leakage Current	I _{LKG}	Pin 18 = V _{CC}	–	50	200	μV

* Voltage across Pin 13, 17

TEST CIRCUIT

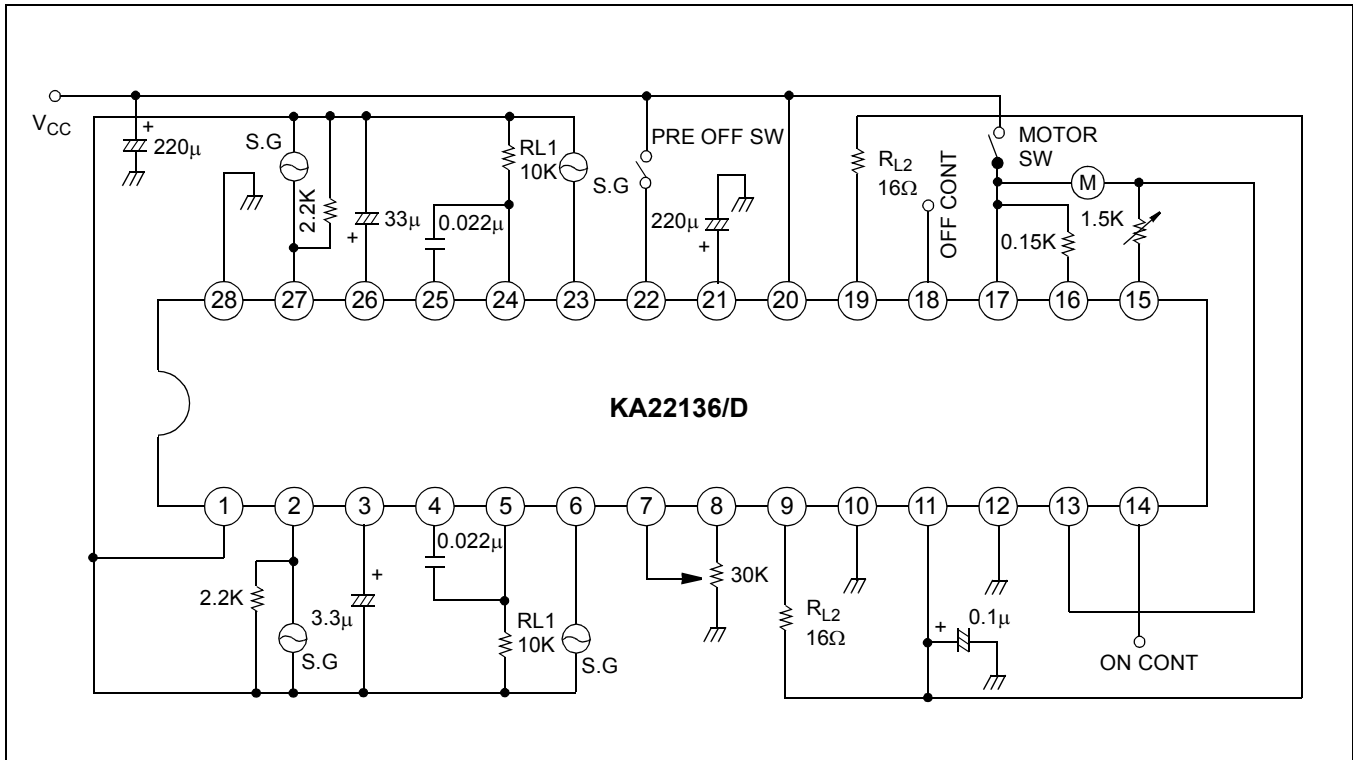


Figure 2.

APPLICATION CIRCUIT

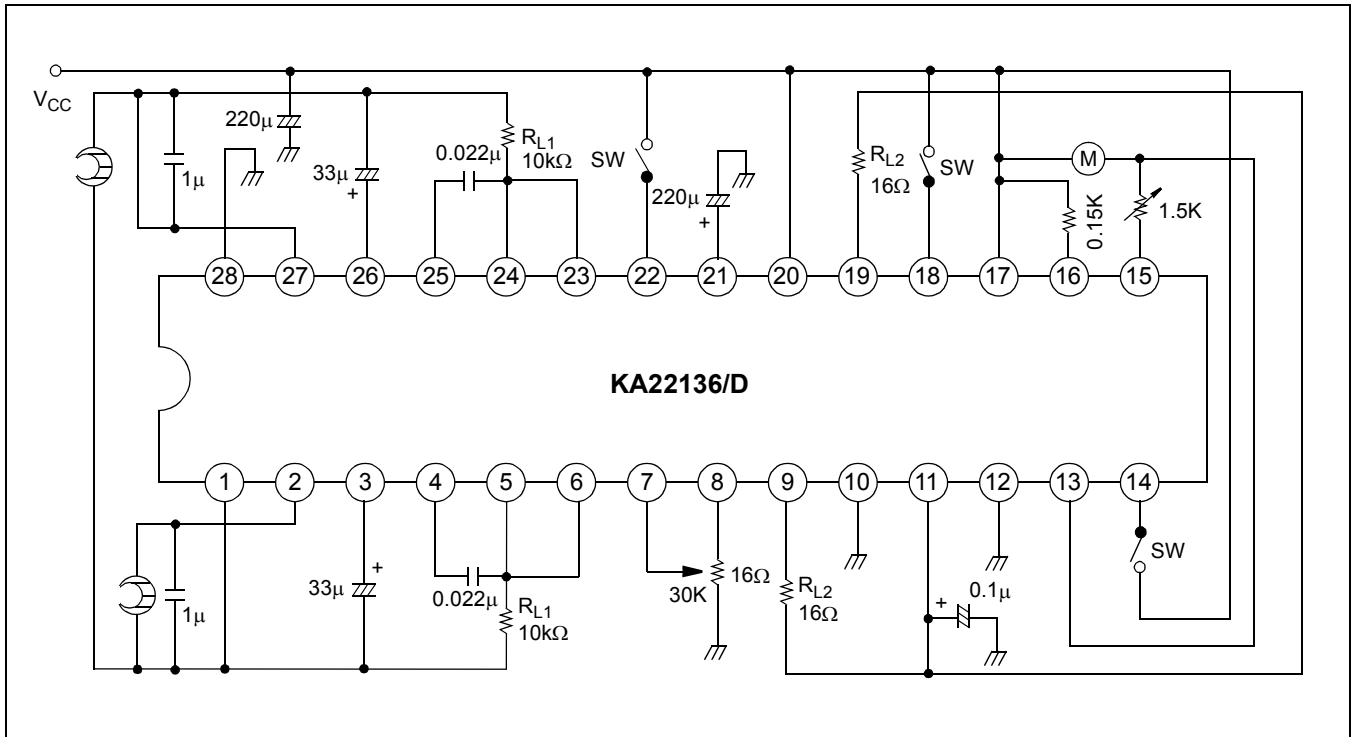


Figure 3.